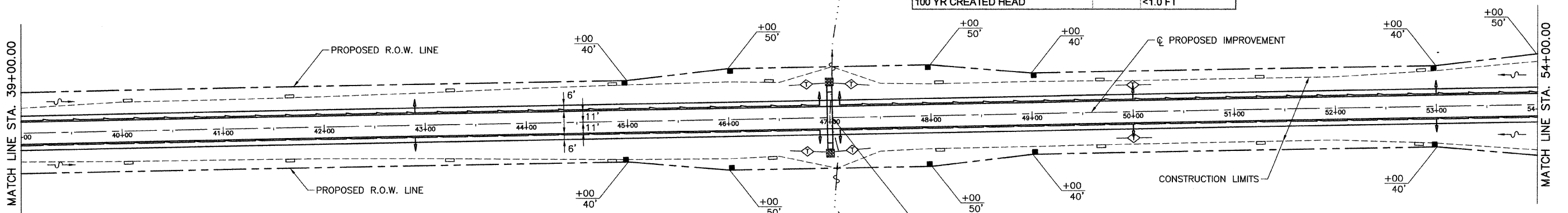
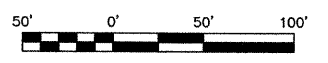


EXXONMOBIL COAL USA, INC.
SE 1/4 SEC 7, T9N, R6W, 3rd P.M.

WATERWAY DATA STA 47+00	
DRAINAGE AREA	0.052 SQ MI
EXISTING OPENING (20 YR)	NONE
REQUIRED OPENING (20 YR)	15 SQ FT
PROPOSED OPENING (20 YR)	15 SQ FT
DESIGN DISCHARGE (20 YR)	61CFS
CREATED HEAD (20 YR)	<1.0 FT
100 YR DISCHARGE	93 CFS
100 YR CREATED HEAD	<1.0 FT

ROUTE NO.	SECTION	COUNTY	TOTAL SHEETS	SHEET NO.
C.H. 3	06-00086-00-PV	MACOUPIN	43	6

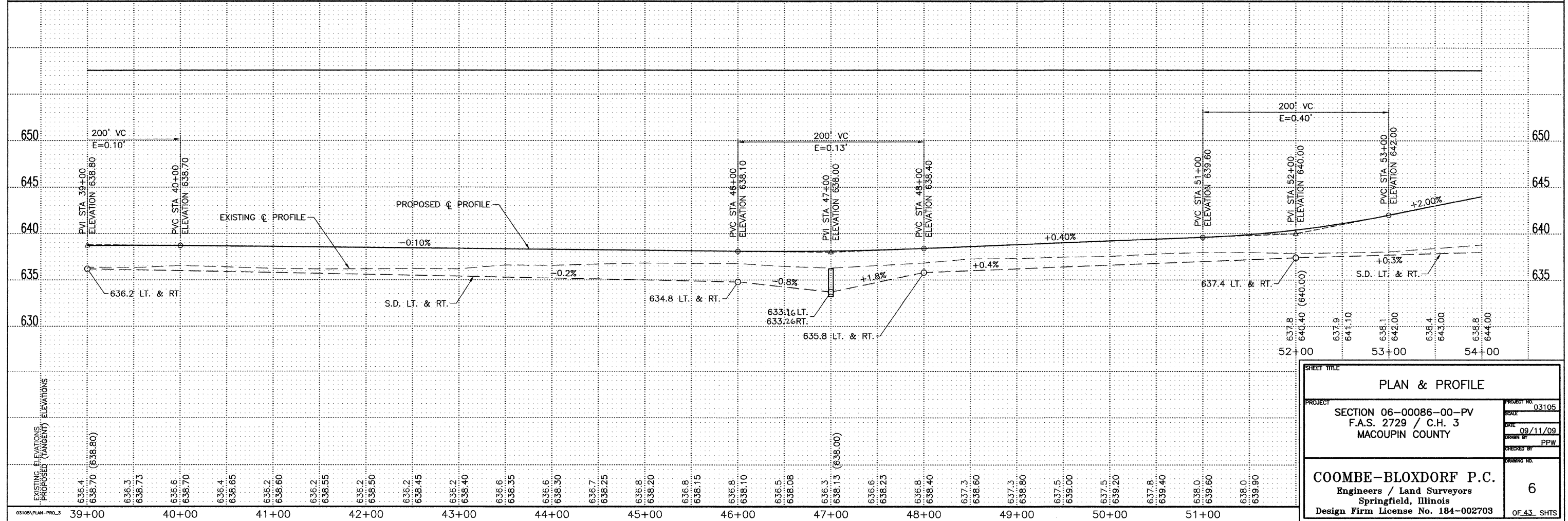


LOCATION	PIPE UNDERDRAIN		CONCRETE HEADWALL FOR PIPE DRAINS
	4"	4" (SPECIAL)	
LT. & RT. STA. 39+00 TO STA. 46+90	1580	-	-
LT. & RT. STA. 42+90	-	12	2
LT. & RT. STA. 46+90	-	12	2
LT. & RT. STA. 47+10 TO STA. 57+80	2140	-	-
LT. & RT. STA. 47+10	-	12	2
LT. & RT. STA. 50+00	-	12	2
LT. & RT. STA. 53+00	-	12	2
TOTAL	3720	60	10

A.R. STA. 47+00 CUVERT NO. 2
5' X 3' X 50' PRECAST REINFORCED CONCRETE BOX CULVERT AND END SECTIONS (M273)
31' RT, U.S.F.L. 633.26
31' LT, D.S.F.L. 633.16
FILL HEIGHT < 2'

EXXONMOBIL COAL USA, INC.
NE 1/4 SEC 18, T9N, R6W, 3rd P.M.

LEGEND	
○	IRON PIN SET
△	SET SPIKE NAIL
□	POWER POLE
— —	GUY WIRE
⊠	TELEPHONE SPLICE BOX
⊞	SIGN
⊠	END FENCE POST
■	RIGHT OF WAY MARKER
→	FLOW DIRECTION
—	STREAM
— —	PIPE UNDERDRAIN
⊥	UNDERDRAIN OUTLET
— —	TEMPORARY DITCH CHECK
— —	PERIMETER EROSION BARRIER



SHEET TITLE		
PLAN & PROFILE		
PROJECT	SECTION 06-00086-00-PV F.A.S. 2729 / C.H. 3 MACOUPIN COUNTY	PROJECT NO. 03105
DATE	09/11/09	SCALE
DRAWN BY	PPW	CHECKED BY
COOMBE-BLOXDORF P.C. Engineers / Land Surveyors Springfield, Illinois Design Firm License No. 184-002703		DRAWING NO. 6 OF 43 SHTS