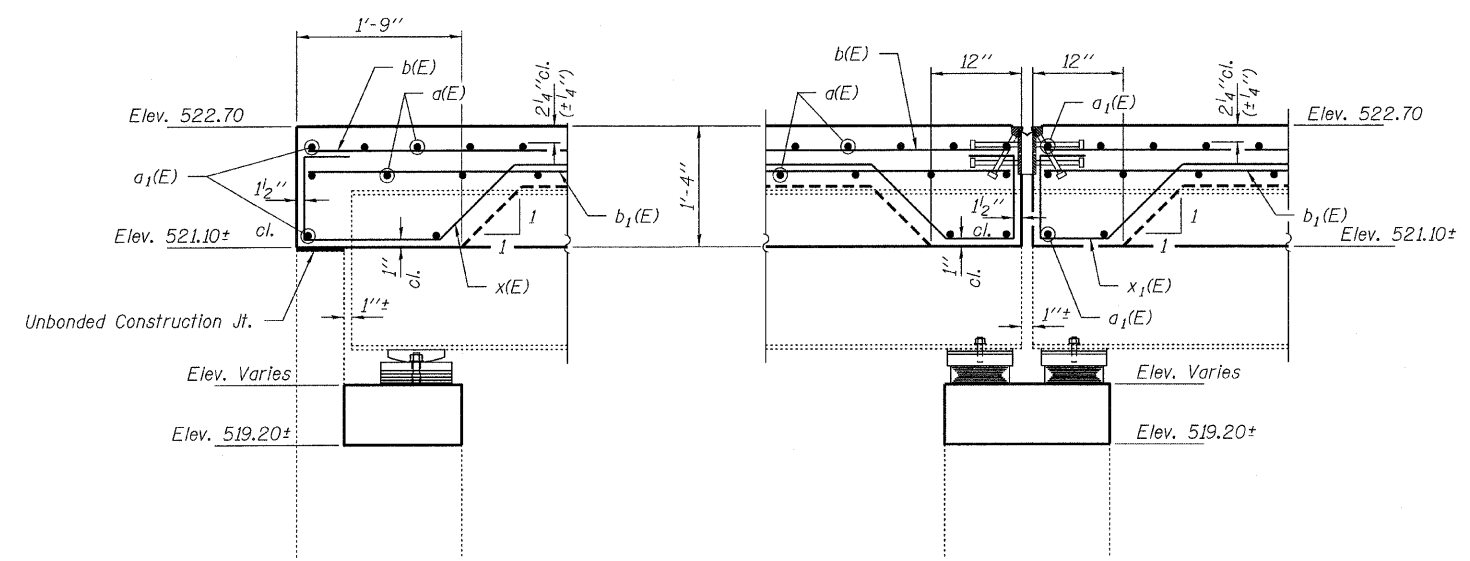
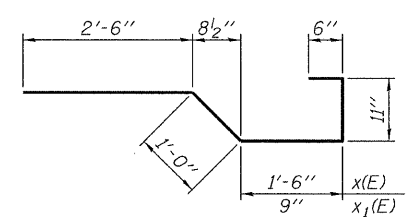


**ELEVATION**  
 Showing Rail Post Spaces  
 See sheet 20 for Railing Details.



**SECTION A-A**

**SECTION B-B**



**BAR x(E) & x1(E)**

DESIGNED - A.S.L.
CHECKED - S.W.M.
DRAWN - D.A.B.
CHECKED - S.W.M.

**HAMPTON, LENZINI & RENWICK, INC.**  
 CIVIL & STRUCTURAL ENGINEERS  
 LAND SURVEYORS

**HLR** 3085 STEVENSON DRIVE, SUITE 201  
 SPRINGFIELD, ILLINOIS 62703  
 (217) 646-3400

PROJECT NUMBER: 08.0204.130 DATE: 11/10/09

C.H.	SECTION	COUNTY	TOTAL SHEETS	SHEET NO.
3A	05-00065-00-BR	BROWN	24	17
CONTRACT NO. 93509				
FED. ROAD DIST. NO. ILLINOIS FED. AID PROJECT ARA 1583(103)				

**SUPERSTRUCTURE DETAILS**  
**STRUCTURE NO. 005-3006**