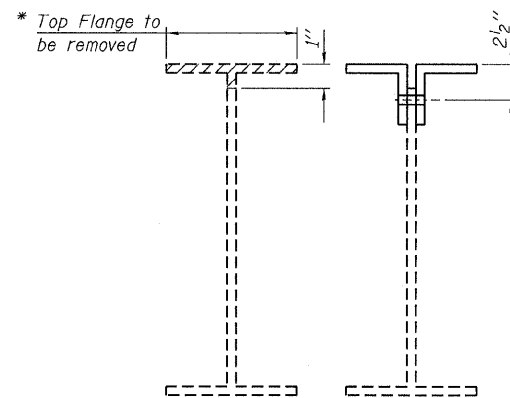
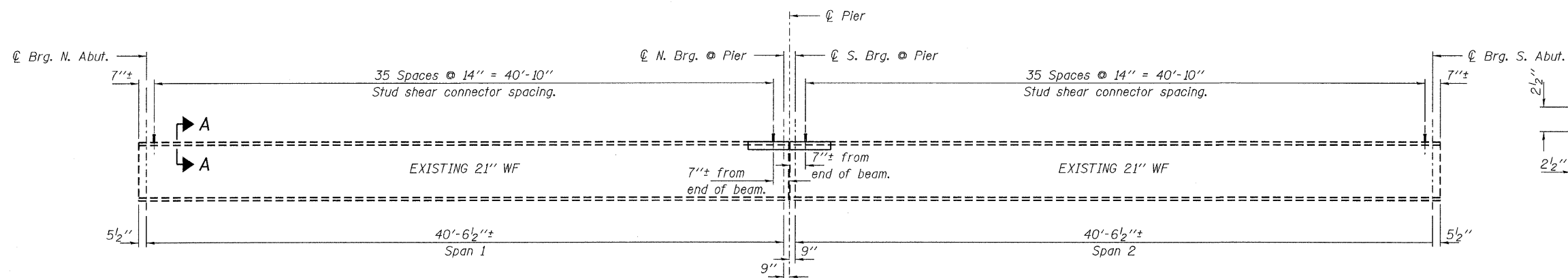


EXISTING FRAMING PLAN

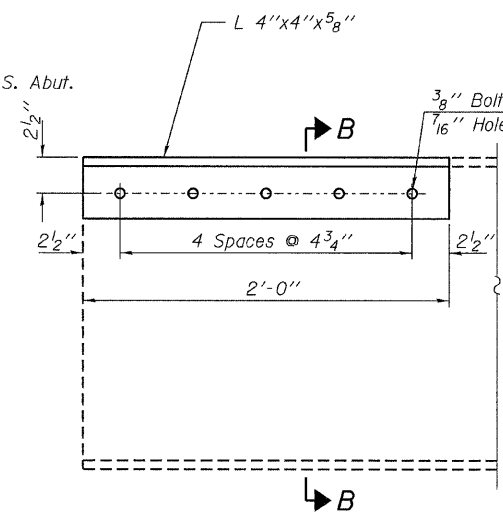
* Top Flange to be removed and repaired if engineer determines the overall thickness of the flange is less than 1/2" for a length of 6" at the pier end.



SECTION B-B



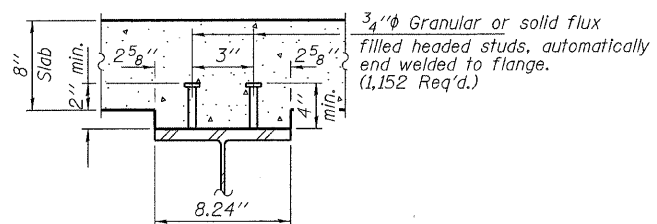
ELEVATION



PIER END OF BEAM STRUCTURAL STEEL REPAIR DETAIL

32 angles required @ 16 end of beam repairs = 1,030 lbs

**STRUCTURAL STEEL
STRUCTURE NO. 005-3006**



SECTION A-A

DESIGNED - A.S.L.
CHECKED - S.W.M.
DRAWN - D.A.B.
CHECKED - S.W.M.

HAMPTON, LENZINI & RENWICK, INC.
 CIVIL & STRUCTURAL ENGINEERS
 LAND SURVEYORS

HLR 3085 STEVENSON DRIVE, SUITE 201
 SPRINGFIELD, ILLINOIS 62703
 (217) 548-3400

PROJECT NUMBER: 08.0204.130 DATE: 11/10/09

C.H.	SECTION	COUNTY	TOTAL SHEETS	SHEET NO.
3A	05-00065-00-BR	BROWN	24	18
FED. ROAD DIST. NO.			ILLINOIS FED. AID PROJECT ARA 1583(103)	
CONTRACT NO. 93509				