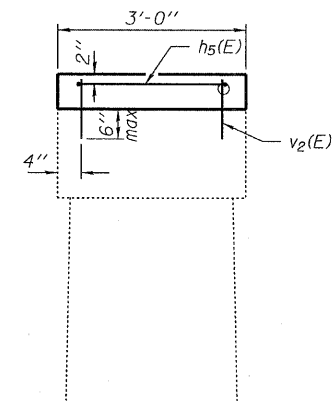
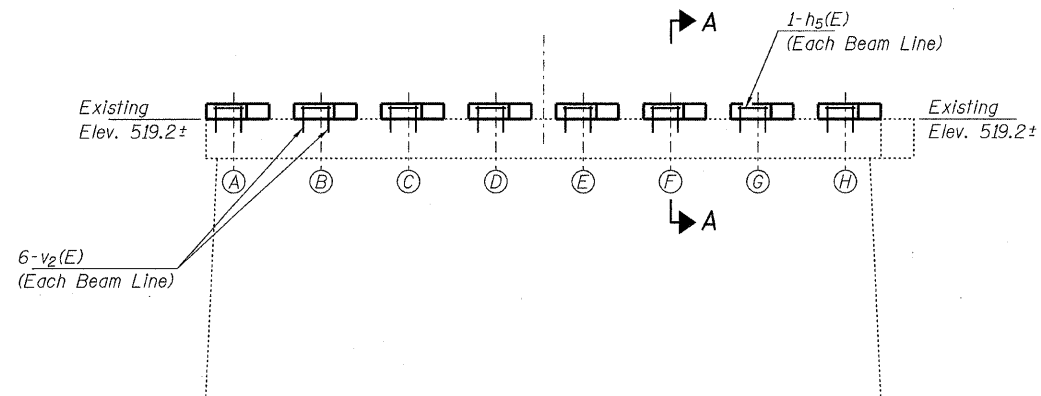


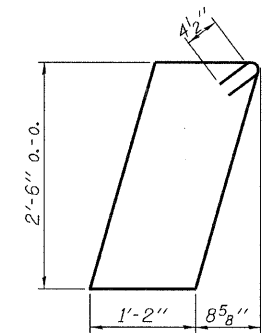
PLAN



SECTION A-A



ELEVATION
(Looking South)



BARS h5(E)

BEARING SEAT
ELEVATIONS

LINE	ELEVATION
A	519.72
B	519.79
C	519.86
D	519.93
E	519.93
F	519.86
G	519.79
H	519.72

BILL OF MATERIAL

BAR	NO.	SIZE	LENGTH	SHAPE
h5(E)	8	#4	8'-3"	□
v2(E)	48	#4	1'-0"	—
Concrete Structures			Cu. Yd.	0.9
Reinforcement Bars, Epoxy Coated			Pound	80

Reinforcement bars designated (E) shall be epoxy coated.

MIN. BAR LAPS
#4 - 1'-8"

PIER
STRUCTURE NO. 005-3006

DESIGNED - A.S.L.
CHECKED - S.W.M.
DRAWN - D.A.B.
CHECKED - S.W.M.

HAMPTON, LENZINI & RENWICK, INC.
CIVIL & STRUCTURAL ENGINEERS
LAND SURVEYORS

HLR 3085 STEVENSON DRIVE, SUITE 201
SPRINGFIELD, ILLINOIS 62703
(217) 546-3400

PROJECT NUMBER: 08.0204.130 DATE: 11/19/09

C.H.	SECTION	COUNTY	TOTAL SHEETS	SHEET NO.
3A	05-00065-00-BR	BROWN	24	24
FED. ROAD DIST. NO.			ILLINOIS FED. AID PROJECT ARA 1583(103)	
CONTRACT NO. 93509				