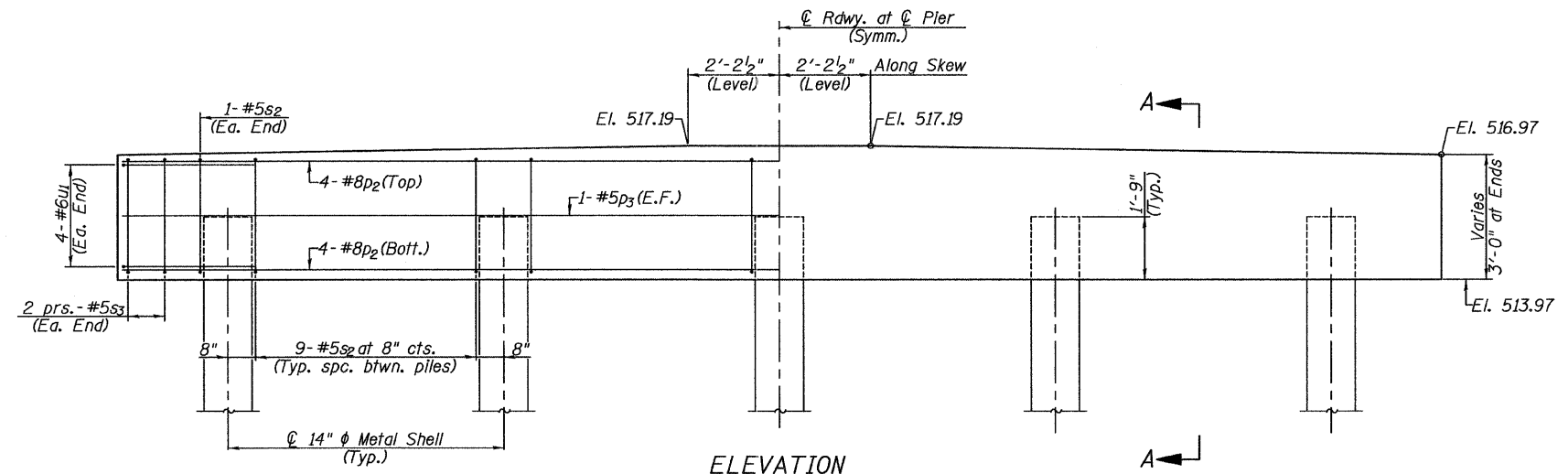


**PILE DATA**

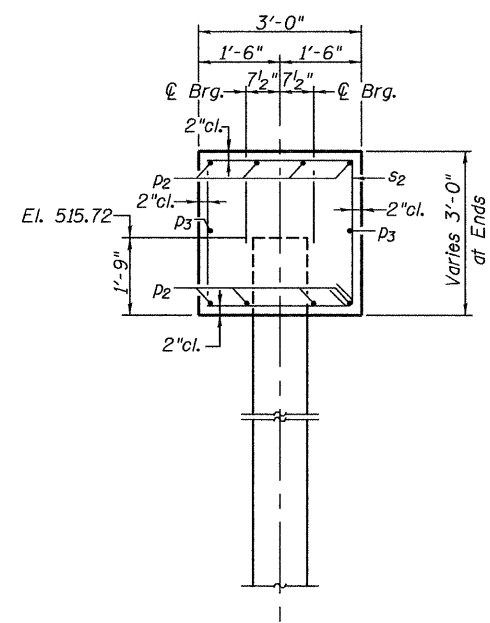
	Pier 1	Pier 2
Pile Type & Size:	Metal Shell Piles 14" x 0.250"	Metal Shell Piles 14" x 0.250"
Nominal Required Bearing:	233 Kips	233 Kips
Factored Resistance Available:	112 Kips	112 Kips
Estimated Pile Length:	62'	54'
Number of Production:	5	4
Number of Test Piles:	0	1

**NOTES**

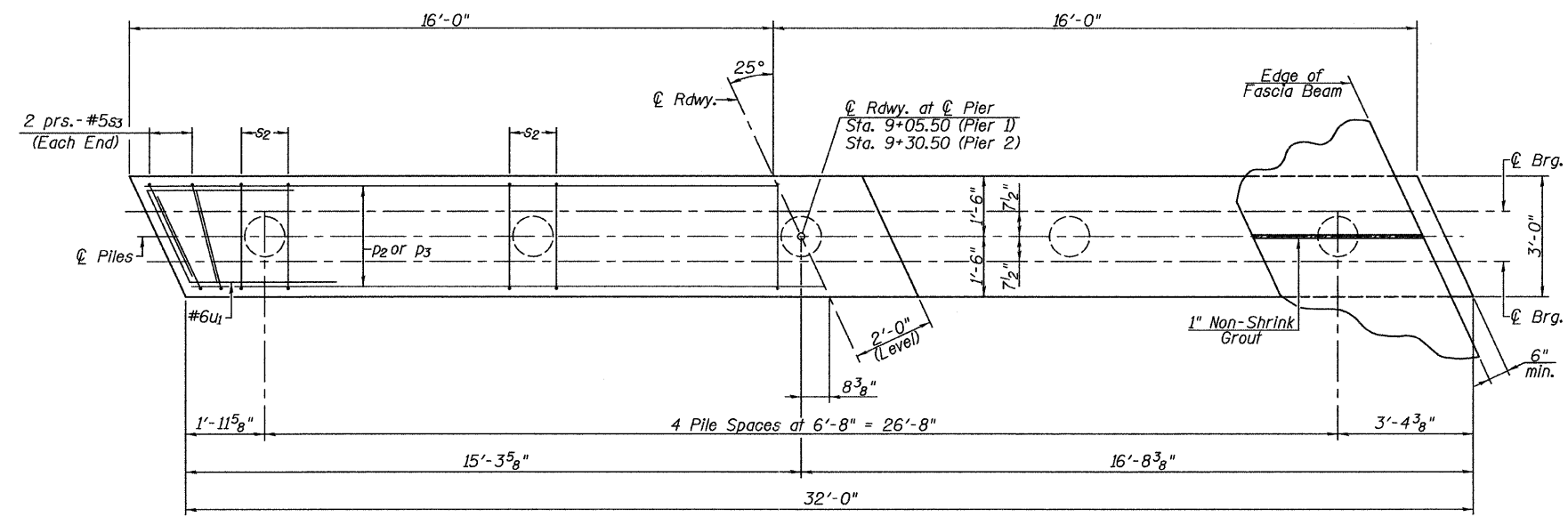
The Contractor shall drive test piles to 110% of the nominal required bearing specified in production locations at substructures specified or approved by the Engineer before ordering the remainder of piles. All exposed edges shall have standard 3/4" chamfer. Space reinforcement in cap to miss beam anchor dowels.



**ELEVATION**



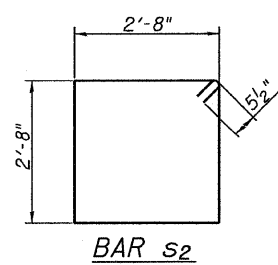
**SECTION A-A**



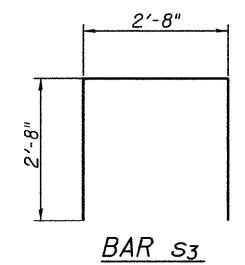
**PLAN**

**BILL OF MATERIAL  
TWO PIERS**

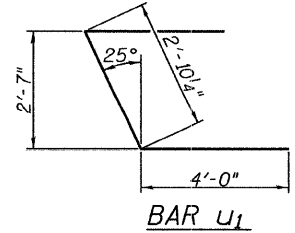
BAR	NO.	SIZE	LENGTH	SHAPE	
p2	16	#8	31'-8"	—	
p3	4	#5	31'-8"	—	
s2	76	#5	11'-7"	□	
s3	16	#5	8'-0"	□	
u1	16	#6	10'-10"	□	
Concrete Structures				Cu. Yd.	21.6
Reinforcement Bars				Pound	2800
Furnishing Metal Shell Piles 14" x 0.250"				Foot	526
Driving Piles				Foot	526
Test Pile Metal Shells				Each	1



**BAR s2**



**BAR s3**



**BAR u1**