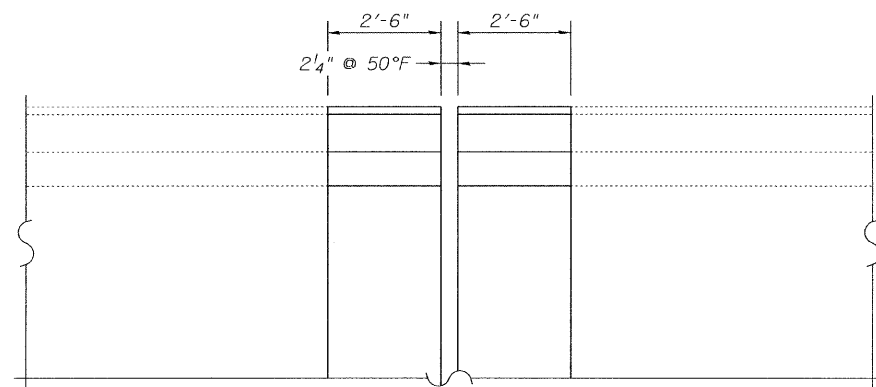
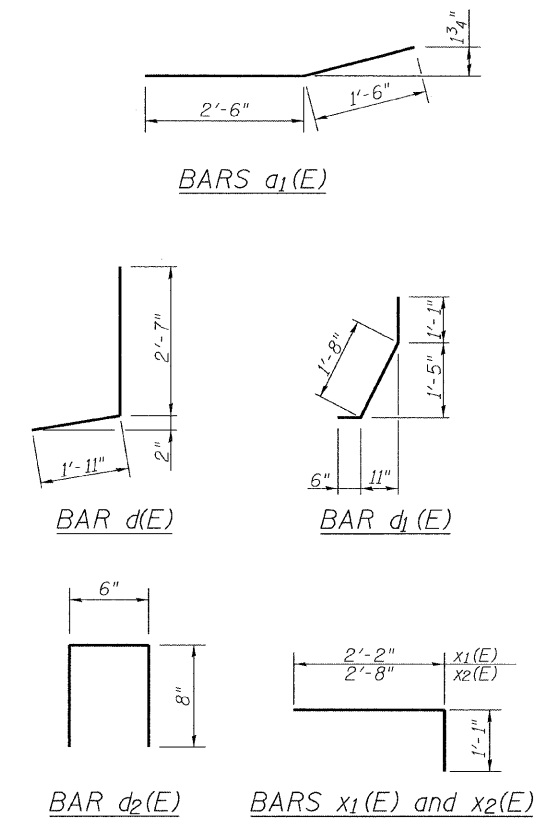
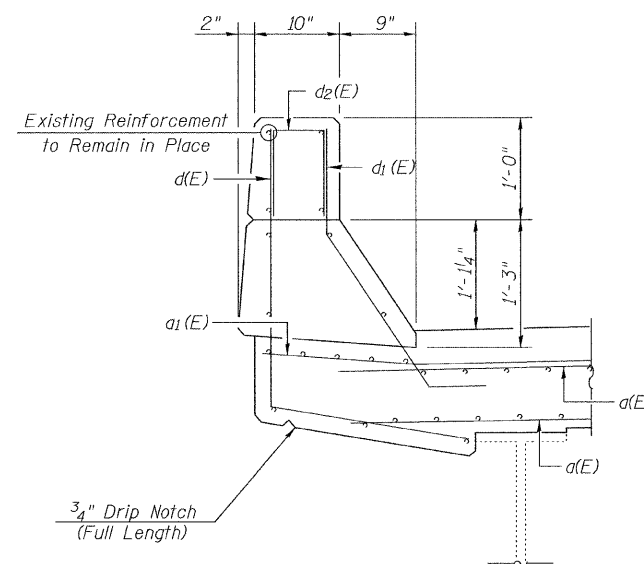


CROSS SECTION THRU PROPOSED DECK
(Pier 2-Looking North)



PARTIAL PLAN OF PARAPET




SECTION THRU PROPOSED PARAPET

BILL OF MATERIAL
PIER 2

Bar	No.	Size	Length	Shape	
a(E)	22	#6	32'-6"	—	
a1(E)	10	#6	4'-0"	—	
d(E)	12	#4	4'-6"	L	
d1(E)	12	#5	3'-3"	L	
d2(E)	12	#4	1'-10"	U	
x1(E)	31	#5	3'-3"	L	
x2(E)	31	#5	3'-9"	L	
Reinforcement Bars, Epoxy Coated				Lbs.	1455
Concrete Superstructure				Cu. Yd.	9.7

SUPERSTRUCTURE DETAILS FOR PIER 2
F.A.S. ROUTE 559 OVER KICKAPOO CREEK
S.N. 054-3003

 Allen Henderson & Associates, Inc. Civil and Structural Engineers Springfield, IL 62703 Phone: (217)544-8033 IL Design Firm No. 184-001907	SHEET NO. 12 20 SHEETS	F.A.S. RTE.	SECTION	COUNTY	TOTAL SHEETS	SHEET NO.
		559	09-00074-01-BR	LOGAN	22	14
		CONTRACT NO. 93511				
FED. ROAD DIST. NO. _ ILLINOIS FED. AID PROJECT						