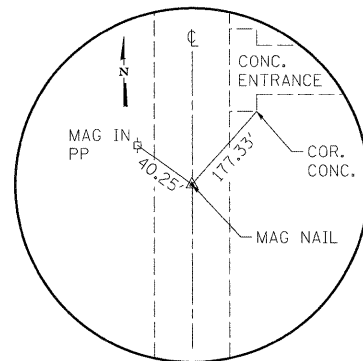


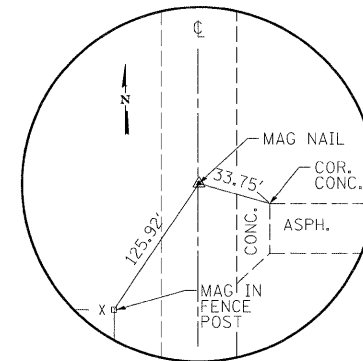
**P.O.T. STA. 1042+50.00
MAG NAIL**

N - 1,042,357.2106
E - 2,534,011.9226



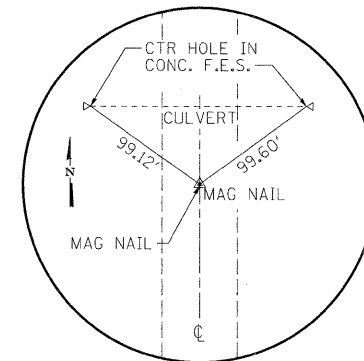
**P.O.T. STA. 1050+00.00
MAG NAIL**

N - 1,043,107.0337
E - 2,533,995.6356



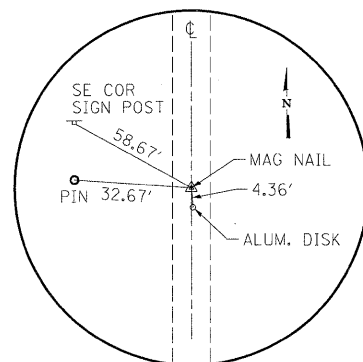
**P.O.T. STA. 1060+00.00
MAG NAIL**

N - 1,044,106.7979
E - 2,533,973.9197



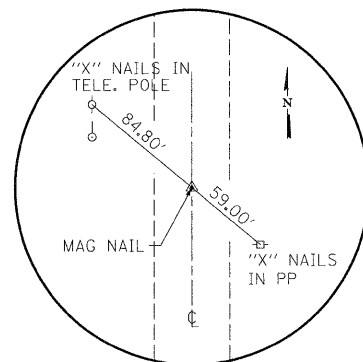
**P.O.T. STA. 1075+00.00
MAG NAIL**

N - 1,045,606.4442
E - 2,533,941.3458



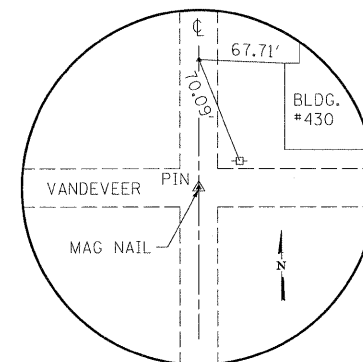
**P.O.T. STA. 1087+50.00
MAG NAIL**

N - 1,046,856.1494
E - 2,533,914.2009



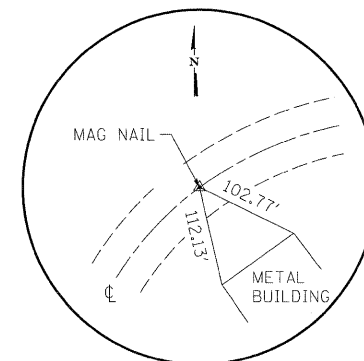
**P.I. STA. 1100+00.74
MAG NAIL**

N - 1,048,106.5900
E - 2,533,887.0400



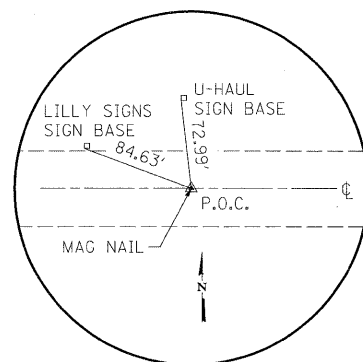
**P.O.T. STA. 1115+00.00
MAG NAIL**

N - 1,049,605.4428
E - 2,533,852.0987



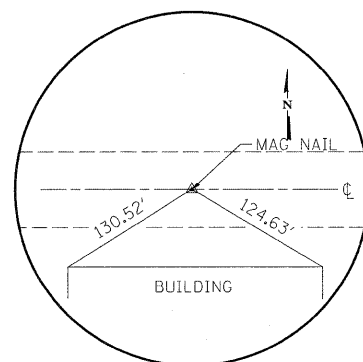
**P.O.C. STA. 1135+00.00
MAG NAIL**

N - 1,051,575.6669
E - 2,533,982.4148



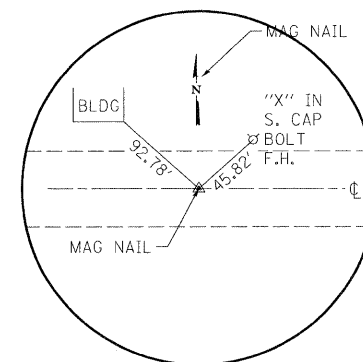
**P.O.C. STA. 1140+00.00
MAG NAIL**

N - 1,051,936.3221
E - 2,534,322.9836



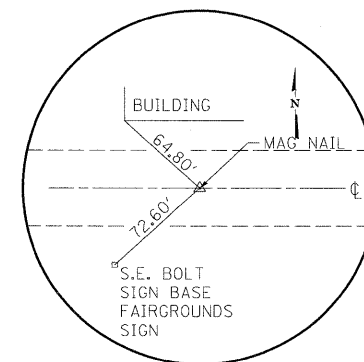
**P.T. STA. 1146+76.43
MAG NAIL**

N - 1,052,137.8380
E - 2,534,959.7169



**P.O.T. STA. 1154+00.00
MAG NAIL**

N - 1,052,137.8380
E - 2,535,683.2756



**P.O.T. STA. 1162+00.00
MAG NAIL**

N - 1,052,142.3074
E - 2,536,483.2631

GREENE & BRADFORD, INC.



FILE NAME = J:\09022.07\CADD\CAD\sheet\0902207-sh1-TB.dgn
PLOT SCALE = 50.0000" / in.
PLOT DATE = 11/19/2009
G&B PROJECT: 09002.07
PLOT DRIVER = VB:TDS708.PS_LOCAL_ID0T.pltcf

USER NAME = frankv
DESIGNED - WCB
DRAWN - FAV
CHECKED - WCB
DATE - 9/28/09

REVISED -
REVISED -
REVISED -
REVISED -

**CITY OF TAYLORVILLE
SPRESSER STREET IMPROVEMENTS**

HORIZONTAL AND VERTICAL CONTROL

SCALE: SHEET NO. 1 OF 1 SHEETS STA. TO STA.

F.A.U. RTE.	SECTION	COUNTY	TOTAL SHEETS	SHEET NO.
7877	09-00060-00-RS	CHRISTIAN	14	9
CONTRACT NO. 93512				

FED. ROAD DIST. NO. ILLINOIS FED. AID PROJECT ARA-M-5067(017)