

STATE OF ILLINOIS
DEPARTMENT OF TRANSPORTATION
PLANS FOR PROPOSED
A.R.R.A. PROGRAM

F.A.U. RTE.	SECTION	COUNTY	TOTAL SHEETS	SHEET NO.
8169	09-00123-00-RS	MORGAN	13	1

CONTRACT NO. 93514

CITY OF JACKSONVILLE
SECTION 09-00123-00-RS

F.A.U. ROUTE 8169
PROJECT NO ARA-5032(029)
LAFAYETTE AVENUE

FROM WEBSTER AVENUE
EAST TO CHURCH STREET

JOB NO C-96-240-10

T 15 N, R 10 W, 3RD PM

INDEX OF SHEETS

1	COVER SHEET & REQUIRED STANDARDS
2	GENERAL NOTES, LEGEND
3	SUMMARY OF QUANTITIES
4	TYPICAL SECTIONS
5-6	SCHEDULE OF QUANTITIES
7-11	PLAN SHEETS
12-13	SPECIAL DETAILS

STANDARDS

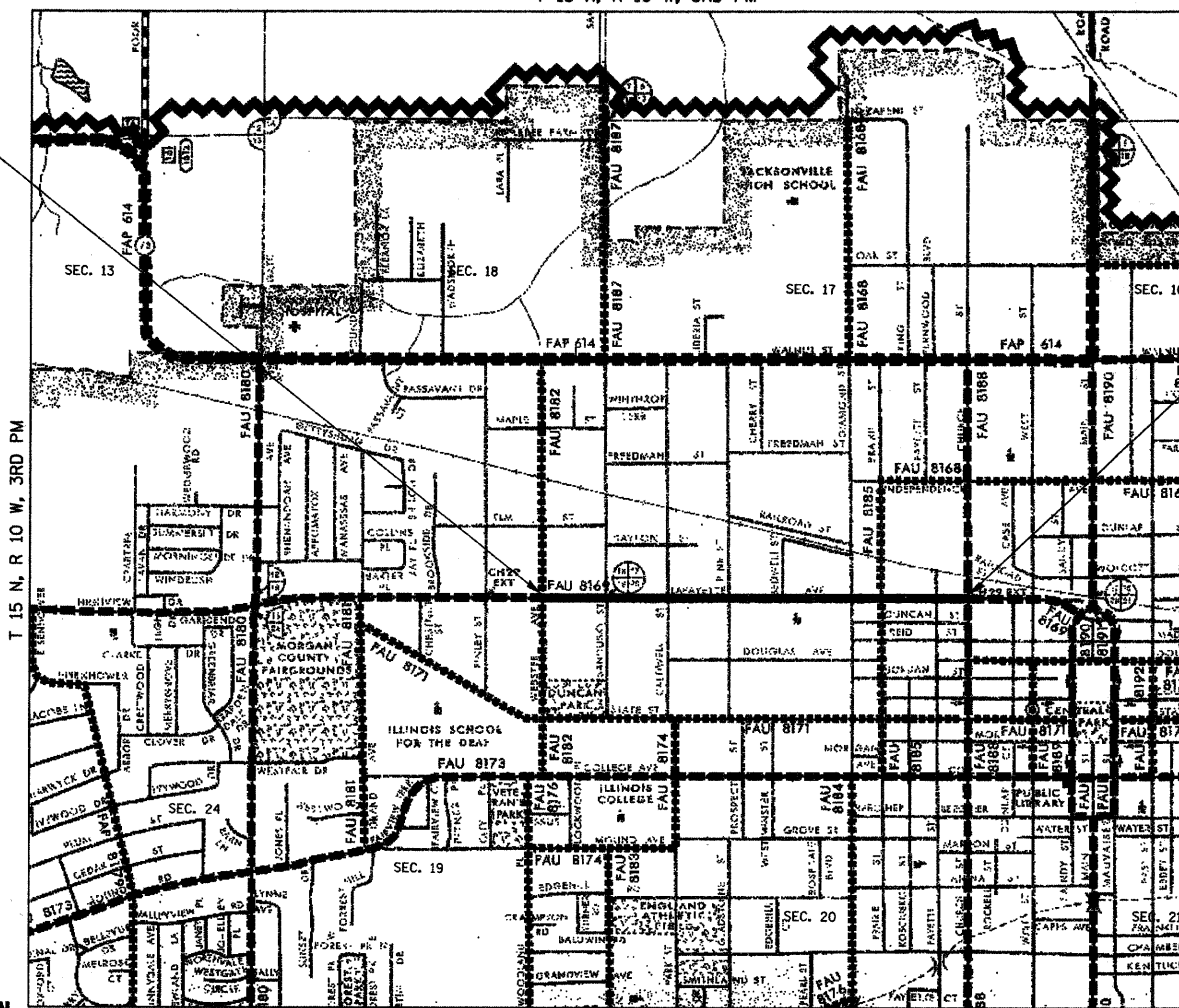
000001-05	STANDARD SYMBOLS, ABBREVIATIONS AND PATTERNS
420001-07	PAVEMENT JOINTS
442201-03	CLASS C AND D PATCHES
602301-02	INLET, TYPE A
602306-02	INLET, TYPE B
602401-02	MANHOLE, TYPE A
602601-02	PRECAST REINFORCED CONCRETE FLAT SLAB TOP
602701-02	MANHOLE STEPS
604001-03	FRAME AND LIDS, TYPE 1
604051-03	FRAME AND GRATE, TYPE 11
606001-04	CONCRETE CURB TYPE B AND COMBINATION CONCRETE CURB AND GUTTER
701301-03	LANE CLOSURE, 2L, 2W, SHORT TIME OPERATIONS
701311-03	LANE CLOSURE, 2L, 2W MOVING OPERATIONS-DAY ONLY
701501-05	URBAN LANE CLOSURE, 2L, 2W, UNDIVIDED
701801-04	LANE CLOSURE, MULTILANE 1W OR 2W CROSSWALK OR SIDEWALK CLOSURE
701901-01	TRAFFIC CONTROL DEVICES
780001-02	TYPICAL PAVEMENT MARKINGS

GAS & ELECTRIC	CABLE T.V.
AMEREN IP 700 JERSEY STREET QUINCY, ILLINOIS	MEDIACOM 409 MASSEY LANE JACKSONVILLE, ILLINOIS
TELEPHONE	WATER & SEWER
VERIZON 330 WEST BEECHER JACKSONVILLE, ILLINOIS	CITY OF JACKSONVILLE MUNICIPAL BUILDING 200 WEST DOUGLAS AVE JACKSONVILLE, ILLINOIS

SECTION 09-00123-00-RS
BEGINS
STA 73+42.65

SECTION 09-00123-00-RS
ENDS
STA 121+46.78

0 50' 100' — 1" = 20' HORIZONTAL PLAN



FULL SIZE PLANS HAVE BEEN PREPARED USING STANDARD ENGINEERING SCALES. REDUCED SIZED PLANS WILL NOT CONFORM TO STANDARD SCALES. IN MAKING MEASUREMENTS ON REDUCED PLANS, THE ABOVE SCALES MAY BE USED.

J.U.L.I.E.
JOINT UTILITY LOCATION INFORMATION FOR EXCAVATION
1-800-892-0123 OR 811

DESIGN DESIGNATION
FAU 8169
URBAN COLLECTOR (LAPP)
ADT = 3,700 (2029)
% PV = 88
% SU = 7
% MU = 5

CONTRACT NO. 93514

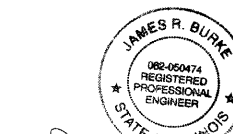
T 15 N, R 10 W, 3RD PM
0' 1000' 2000' 3000'
APPROXIMATE GRAPHIC SCALE

TOTAL LENGTH OF PROJECT = 4,804.13 FEET = 0.910 MILES
NET LENGTH OF PROJECT = 4,804.13 FEET = 0.910 MILES

DESCRIPTION OF WORK

THIS PROJECT CONSISTS OF RESURFACING LAFAYETTE AVENUE TO PROVIDE A 34' AND VARIABLE WIDE STREET. THE EXISTING PCC PAVEMENT WILL BE MILLED AT A VARIABLE DEPTH NEAR THE GUTTER FLAG. THE PROPOSED SURFACE CONSISTS OF 1/2" OF HOT-MIX ASPHALT SURFACE OVER A 3/4" AND VARIABLE THICKNESS OF HOT-MIX ASPHALT LEVELING BINDER COURSE. ALSO INCLUDED IS PAVEMENT PATCHING, SIDEWALK, CURB AND GUTTER REMOVAL AND REPLACEMENT, STORM SEWER AND ASSOCIATED WORK.

APPROVED 11/23/09	<i>Andy Egan</i>	MAYOR CITY OF JACKSONVILLE
PASSED Nov 30, 2009	<i>Jimmy F. L.</i>	DISTRICT SIX ENGINEER OF LOCAL ROADS & STREETS
PASSED November 30, 2009	<i>Ron Chabrean</i>	DISTRICT SIX ENGINEER OF CONSTRUCTION
RELEASING FOR BID BASED ON LIMITED REVIEW	Nov 30, 2009	<i>Roger J. Dumbell</i> DEPUTY DIRECTOR OF HIGHWAYS, REGION FOUR ENGINEER
STATE OF ILLINOIS DEPARTMENT OF TRANSPORTATION		



Hutchison Engineering, Inc.
SINCE 1945
1801 West Lafayette
PO Box 820
Jacksonville, Illinois 62651
PHONE : (217)245-7164 FAX (217)243-0468

GENERAL NOTES

1. THE LOCATION OF UNDERGROUND UTILITIES SHOWN ON THE PLANS REPRESENTS THE BEST KNOWLEDGE OF THE CITY AND THE INDICATED ADJUSTMENTS OR RECONSTRUCTION ARE CONSIDERED TO BE REASONABLY ACCURATE. IT SHALL BE THE CONTRACTOR'S RESPONSIBILITY TO VERIFY LOCATIONS OF UNDERGROUND INSTALLATIONS BEFORE STARTING CONSTRUCTION OPERATIONS. THE CONTRACTOR SHALL INDEMNIFY THE CITY, ITS OFFICERS, AND EMPLOYEES AGAINST ALL CLAIMS DUE TO DAMAGE TO CORPORATE OR PRIVATE PROPERTY RESULTING FROM HIS CONSTRUCTION OPERATIONS AS DESCRIBED IN ARTICLE 107.20 AND 107.26 OF THE STANDARD SPECIFICATIONS FOR ROAD AND BRIDGE CONSTRUCTION.
2. THE CONTRACTOR MAY BE REQUIRED TO CONDUCT SOME OF HIS MILLING, PAVING, GRADING OR SHOULDER OPERATIONS AROUND TRANSMISSION POLES AND UNDER TRANSMISSION LINES. THE ADDED COST OF SO DOING SHALL BE INCLUDED WITH THE COST OF THE CONTROLLING PAY ITEM FOR THE OPERATION.
3. WHERE SECTION OR SUB-SECTION MONUMENTS ARE ENCOUNTERED, THE ENGINEER SHALL BE NOTIFIED BEFORE SUCH MONUMENTS ARE REMOVED. THE CONTRACTOR SHALL PROTECT AND PRESERVE PROPERTY MARKERS AND MONUMENTS UNTIL THE OWNER, AN AUTHORIZED SURVEYOR OR AGENT HAS WITNESSED OR OTHERWISE REFERENCED THEIR LOCATION.
4. WHEREVER IN THESE PLANS REFERENCE IS MADE TO THE "STANDARD SPECIFICATIONS", IT IS UNDERSTOOD TO INCLUDE THE "SUPPLEMENTAL SPECIFICATIONS" INCLUDED IN THE PROPOSAL.
5. THE CONTRACTOR WILL BE REQUIRED TO COMPLY WITH ALL STATE REGULATIONS REGARDING AIR, WATER AND NOISE POLLUTION. THE CONTRACTOR WILL NOT BE ALLOWED TO BUILD FIRES ON THE SITE.
6. IT IS THE CONTRACTOR'S RESPONSIBILITY TO ASCERTAIN EXISTING FIELD CONDITIONS BEFORE BIDDING ON THIS PROJECT, SPECIFICALLY AS THEY RELATE TO THE LUMP SUM PAY ITEMS.
7. THE CONTRACTOR SHALL NOTIFY THE AGENCIES AND UTILITIES AT LEAST 10 (TEN) DAYS PRIOR TO ANY CONSTRUCTION IN THE AREA AND SHALL COMPLY WITH ALL RESTRICTIONS FOR EQUIPMENT MOVEMENTS AND CLEARANCES AS REGARDS TO THEIR FACILITIES.
8. BEFORE STARTING ANY EXCAVATION, THE CONTRACTOR MUST CALL J.U.L.I.E. AT 1-800-892-0123 OR 811 FOR FIELD LOCATIONS OF BURIED ELECTRICAL, TELEPHONE, GAS FACILITIES, AND ALL PUBLIC UTILITIES. A 48 HOUR NOTIFICATION IS REQUIRED.
9. VERIFICATION OF DIMENSIONS : IT IS THE CONTRACTOR'S RESPONSIBILITY TO VERIFY ALL DIMENSIONS AND CONDITIONS EXISTING IN THE FIELD PRIOR TO CONSTRUCTION AND ORDERING MATERIALS.
10. THE CONTRACTOR SHALL BE REQUIRED TO PROVIDE ACCESS TO ABUTTING PROPERTY OWNERS AT ALL TIMES DURING CONSTRUCTION OF THE PROJECT.
11. DURING CONSTRUCTION OPERATIONS, IF ANY LOOSE MATERIAL IS DEPOSITED IN THE FLOW LINE OF DITCHES, GUTTERS OR DRAINAGE STRUCTURES SO THAT THE NATURAL FLOW OF WATER IS OBSTRUCTED, IT SHALL BE REMOVED AT THE CLOSE OF EACH WORKING DAY. AT THE CONCLUSION OF CONSTRUCTION OPERATIONS, ALL DRAINAGE STRUCTURES SO AFFECTED SHALL BE FREE FROM ALL DEBRIS. THIS WORK SHALL BE CONSIDERED INCLUDED IN THE COST OF THE CONTRACT.
12. ALL FRAMES, GRATES, SIGNS, FENCES AND DELINEATORS, DRIVEWAY PAVEMENT, CURB AND GUTTER, NEW OR EXISTING, DAMAGED THROUGH CONTRACTOR'S NEGLIGENCE DURING CONSTRUCTION SHALL BE REPLACED BY THE CONTRACTOR AT HIS EXPENSE.
13. THE COST OF ADDITIONAL LABOR AND MATERIALS NOT ACCOUNTED FOR ON THE PLANS, WHICH MIGHT BE INVOLVED IN MAINTAINING THE FLOW OF STORM WATER TO EXISTING DRAINAGE STRUCTURES, SHALL BE INCLUDED IN THE COST OF THE CONTROLLING PAY ITEM FOR THE OPERATION.
14. THE FOLLOWING MIXTURE REQUIREMENTS ARE APPLICABLE FOR THIS PROJECT:

MIXTURE USES	HMA SURF CSE	LEVELING BINDER (MM)
AC/PG	PG 64-22	PG 64-22
DESIGN AIR VOIDS	4% @ N50	4% @ N50
MIX COMPOSITION: (GRADATION MIXTURE)	IL-9.5 OR 12.5	IL-9.5
FRICITION AGGREGATE	MIX "C"	N/A

HMA QUANTITIES CALCULATED USING 112 LB/SY/IN

LEGEND

- PORTLAND CEMENT CONCRETE SURFACE REMOVAL - BUTT JOINT
- 9" PAVEMENT PATCHING, TYPE, SO YD

FILE NAME = V:\2788\2788G001.dgn	USER NAME = jwhite	DESIGNED - JRB	REVISED -	STATE OF ILLINOIS DEPARTMENT OF TRANSPORTATION	LAFAYETTE AVENUE (FAU ROUTE 8169) GENERAL NOTES AND LEGEND	F.A.U. RTE. 8169	SECTION 09-00123-00-RS	COUNTY MORGAN	TOTAL SHEETS 13	SHEET NO. 2		
						SCALE: N/A		SHEET NO. 1 OF 1 SHEETS		STA. N/A TO STA. N/A		
						CONTRACT NO. 93514						
						ILLINOIS FED. AID PROJECT						

SCHEDULE OF QUANTITIES

CODE NO.	ITEM	UNIT	TOTAL
20800150	TRENCH BACKFILL	CU YD	238
• 40600100	BITUMINOUS MATERIALS (PRIME COAT)	GALLON	1,454
40600300	AGGREGATE (PRIME COAT)	TON	30
• 40600625	LEVELING BINDER (MACHINE METHOD), N50	TON	467
40600895	CONSTRUCTING TEST STRIP	EACH	1
40600985	PORTLAND CEMENT CONCRETE SURFACE REMOVAL - BUTT JOINT	SQ YD	451
40600990	TEMPORARY RAMP	SQ YD	304
40603310	HOT-MIX ASPHALT SURFACE COURSE, MIX "C", N50	TON	1,815
42001300	PROTECTIVE COAT	SQ YD	66
42400100	PORTLAND CEMENT CONCRETE SIDEWALK 4 INCH	SQ FT	1,173
42400800	DETECTABLE WARNINGS	SQ FT	27
• 44000198	HOT-MIX ASPHALT SURFACE REMOVAL, VARIABLE DEPTH	SQ YD	336
• 44000500	COMBINATION CURB AND GUTTER REMOVAL	FOOT	358
• 44000600	SIDEWALK REMOVAL	SQ FT	1,189
• 44201337	CLASS C PATCHES, TYPE I, 9 INCH	SQ YD	100
• 44201341	CLASS C PATCHES, TYPE II, 9 INCH	SQ YD	209
• 44201345	CLASS C PATCHES, TYPE III, 9 INCH	SQ YD	71
• 44201347	CLASS C PATCHES, TYPE IV, 9 INCH	SQ YD	512
55100300	STORM SEWER REMOVAL - 8"	FOOT	94
55100400	STORM SEWER REMOVAL - 10"	FOOT	98
△ 56106200	ADJUSTING WATER MAIN, 4"	FOOT	100
△ 56106300	ADJUSTING WATER MAIN, 6"	FOOT	100
△ 56300100	ADJUSTING SANITARY SEWERS, 8-INCH DIAMETER OR LESS	FOOT	40
△ 56300300	ADJUSTING WATER SERVICE LINES	FOOT	40
60221100	MANHOLES, TYPE A, 5'-DIAMETER, TYPE I FRAME, CLOSED LID	EACH	3
60236800	INLETS, TYPE A, TYPE II FRAME AND GRATE	EACH	3
60240310	INLETS, TYPE B, TYPE II FRAME AND GRATE	EACH	1
• 60242820	INLETS, SPECIAL, TYPE E	EACH	2
60255500	MANHOLES TO BE ADJUSTED	EACH	23
• 60266600	VALVE BOXES TO BE ADJUSTED	EACH	14
• 60500050	REMOVING CATCH BASINS	EACH	1
• 60500060	REMOVING INLETS	EACH	6
60500105	FILLING MANHOLES	EACH	2
60603800	COMBINATION CONCRETE CURB AND GUTTER, TYPE B-6,12	FOOT	358

SCHEDULE OF QUANTITIES (CONTINUED)

CODE NO.	ITEM	UNIT	TOTAL
• 61139800	STORM SEWERS, SPECIAL 4"	FOOT	100
• 61139900	STORM SEWERS, SPECIAL 6"	FOOT	100
67100100	MOBILIZATION	L SUM	1
• 70103700	TRAFFIC CONTROL COMPLETE	L SUM	1
70300100	SHORT-TERM PAVEMENT MARKING	FOOT	880
70300220	TEMPORARY PAVEMENT MARKING - LINE 4"	FOOT	1,210
70300240	TEMPORARY PAVEMENT MARKING - LINE 6"	FOOT	1,418
70300260	TEMPORARY PAVEMENT MARKING - LINE 12"	FOOT	317
70300280	TEMPORARY PAVEMENT MARKING - LINE 24"	FOOT	307
70301000	WORK ZONE PAVEMENT MARKING REMOVAL	SQ FT	2,337
△ 78000200	THERMOPLASTIC PAVEMENT MARKING - LINE 4"	FOOT	1,210
△ 78000400	THERMOPLASTIC PAVEMENT MARKING - LINE 6"	FOOT	1,418
△ 78000600	THERMOPLASTIC PAVEMENT MARKING - LINE 12"	FOOT	317
△ 78000650	THERMOPLASTIC PAVEMENT MARKING - LINE 24"	FOOT	307
• X0322034	STORM SEWER (WATER MAIN REQUIREMENTS) 15 INCH	FOOT	144
• X0322035	STORM SEWER (WATER MAIN REQUIREMENTS) 18 INCH	FOOT	172
• X0322127	STORM SEWER (WATER MAIN REQUIREMENTS) 30 INCH	FOOT	302
• X4400100	PORTLAND CEMENT CONCRETE SURFACE REMOVAL, VARIABLE DEPTH	SQ YD	7,440

• SEE SPECIAL PROVISIONS
 NOTE: ALL ITEMS ARE UNDER CONSTRUCTION TYPE CODE I000
 △ SPECIALTY ITEMS

FILE NAME =
 V:\2788\27880001.dgn

USER NAME = jwhite

DESIGNED - JRB

REVISED -

DRAWN - RLR

REVISED -

PLOT SCALE = 1:8000 ' / IN.

CHECKED - JRB

REVISED -

PLOT DATE = 11/23/2009

DATE - 2009

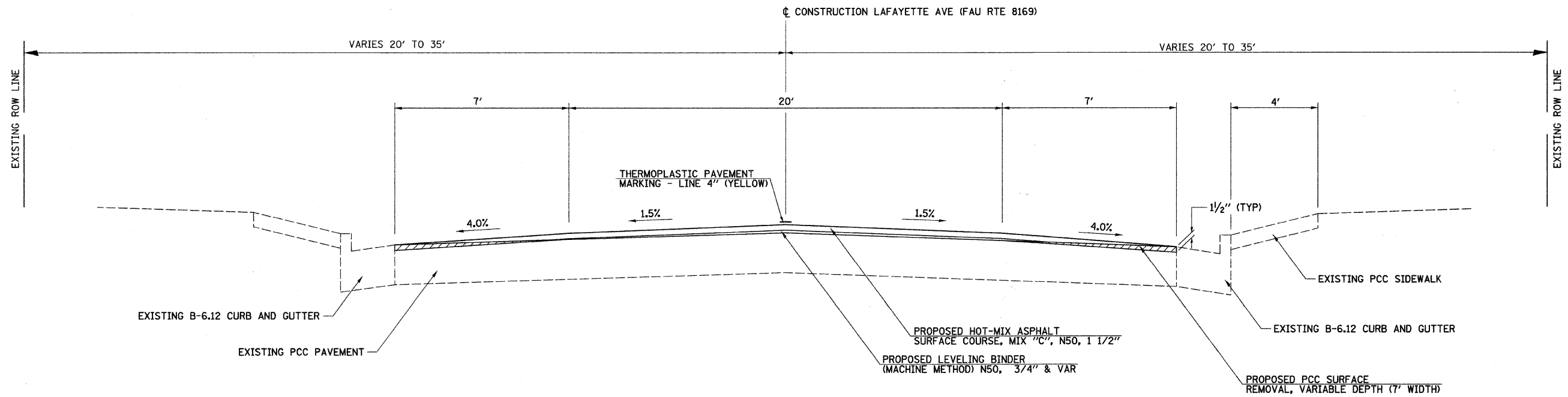
REVISED -

STATE OF ILLINOIS
 DEPARTMENT OF TRANSPORTATION

LAFAYETTE AVENUE (FAU ROUTE 8169)
 SUMMARY OF QUANTITIES

SCALE: N/A SHEET NO. 1 OF 1 SHEETS STA. N/A TO STA. N/A

F.A.U. RTE.	SECTION	COUNTY	TOTAL SHEETS	SHEET NO.
8169	09-00123-00-RS	MORGAN	13	3
CONTRACT NO. 93514				
ILLINOIS FED. AID PROJECT				



**PROPOSED TYPICAL SECTION
LAFAYETTE AVE (FAU RTE 8169)**

STA 73+42.65 TO STA 121+46.78

FILE NAME = V:\2788\2788T001.dgn	USER NAME = jwhite	DESIGNED - JRB	REVISED -
		DRAWN - RLR	REVISED -
		CHECKED - JRB	REVISED -
		DATE - 3-11-09	REVISED -

**STATE OF ILLINOIS
DEPARTMENT OF TRANSPORTATION**

LAFAYETTE AVENUE (FAU ROUTE 8169)		
PROPOSED TYPICAL SECTIONS		
SCALE: N/A	SHEET NO. 1 OF 1 SHEETS	STA. N/A TO STA. N/A

F.A.U. RTE.	SECTION	COUNTY	TOTAL SHEETS	SHEET NO.
8169	09-00123-00-RS	MORGAN	13	4
CONTRACT NO. 93514				
ILLINOIS FED. AID PROJECT				

ESTIMATED QUANTITIES

THE FOLLOWING IS A SCHEDULE OF ESTIMATED QUANTITIES TO BE USED IN WHOLE OR IN PART IN AREAS DESIGNATED AND AT THE DISCRETION OF THE ENGINEER:

ITEM	UNIT	QUANTITY
FOR SIDEWALK REPAIR		
PORTLAND CEMENT CONCRETE SIDEWALK 4 INCH	SQ FT	1000
SIDEWALK REMOVAL	SQ FT	1000
FOR CURB & GUTTER REPAIR		
COMBINATION CONCRETE CURB & GUTTER REMOVAL	FOOT	150
COMBINATION CONCRETE CURB & GUTTER, TYPE B-6.12	FOOT	150
THE FOLLOWING ITEMS INCLUDE ESTIMATED QUANTITIES FOR HANDLING UTILITY CONFLICTS		
ADJUSTING WATER MAIN, 4"	FOOT	100
ADJUSTING WATER MAIN, 6"	FOOT	100
ADJUSTING SANITARY SEWERS, 8-INCH DIAMETER OR LESS	FOOT	40
ADJUSTING WATER SERVICE LINES	FOOT	40
THE FOLLOWING ITEMS INCLUDE ESTIMATED QUANTITIES FOR HANDLING EXISTING DRAINAGE TILES OR STORM SEWER		
STORM SEWERS, SPECIAL 4"	FOOT	100
STORM SEWERS, SPECIAL 6"	FOOT	100

PAVEMENT MARKING SCHEDULE

STATION TO STATION	SIDE	THERMOPLASTIC PAVEMENT MARKING			
		YELLOW SKIP-DASH	WHITE SOLID		WHITE SOLID
		4 INCH	6 INCH	12 INCH	24 INCH
FOOT					
LAFAYETTE AVENUE					
73+42.65	121+46.78	CL	1,210.0		
102+62.00	102+71.00	LT & RT		158.5	
103+80.00	103+89.00	LT & RT		158.5	
LAFAYETTE AVENUE INTERSECTIONS					
WEBSTER STREET			270.9		66.0
SANDUSKY STREET			115.0		28.0
CALDWELL STREET			109.4		27.0
PINE STREET			112.2		24.0
BEDWELL STREET			63.9		10.3
DIAMOND STREET			139.7		23.6
PRAIRIE STREET			293.1		61.5
FAYETTE STREET			74.5		14.2
CHURCH STREET			238.5		51.7
PROJECT TOTAL			1,210.0	1,417.2	306.3
USE			1210	1418	307

SIDEROAD SCHEDULE

LOCATION	SIDE	BITUMINOUS MATERIALS (PRIME COAT) (0.075 GAL/SY)	AGGREGATE (PRIME COAT) (3 LB/SY)	HOT-MIX ASPHALT SURFACE COURSE, MIX "C", N50	HOT-MIX ASPHALT SURFACE REMOVAL, VARIABLE DEPTH	PORTLAND CEMENT CONCRETE SURFACE REMOVAL, VARIABLE DEPTH	TEMPORARY RAMPS
		GALLON	TON			SQ YD	
LAFAYETTE AVENUE							
WEBSTER STREET	LT	7.4	0.1	10.4	74.0		20.2
WEBSTER STREET	RT	5.8	0.1	8.2		60.1	15.6
SANDUSKY STREET	LT	5.8	0.1	8.1		60.0	15.6
SANDUSKY STREET	RT	5.9	0.1	8.2		60.2	15.6
CALDWELL STREET	LT	5.8	0.1	8.1		60.4	16.7
CALDWELL STREET	RT	4.8	0.1	6.7		51.5	13.3
PINE STREET	LT	4.5	0.1	6.3		48.5	12.2
PINE STREET	RT	5.1	0.1	7.2		54.5	14.4
BEDWELL STREET	LT	4.1	0.1	5.8	45.6		11.1
DIAMOND STREET	LT	4.5	0.1	6.3		48.5	12.2
DIAMOND STREET	RT	4.8	0.1	6.7		51.5	13.4
PRAIRIE STREET	LT	5.9	0.1	8.2	59.6		15.6
PRAIRIE STREET	RT	5.1	0.1	7.1	52.8		15.6
FAYETTE STREET	RT	9.7	0.2	13.5	103.1		15.6
PROJECT TOTAL		79.2	1.5	110.8	335.1	495.2	207.1
USE		80	2	111	336	496	208

PAVEMENT SCHEDULE

STATION TO STATION	BITUMINOUS MATERIALS (PRIME COAT) (0.075 GAL/SY)	AGGREGATE (PRIME COAT) (3 LB/SY)	LEVELING BINDER (MACHINE METHOD) N50	HOT-MIX ASPHALT SURFACE COURSE MIX "C", N50	PORTLAND CEMENT CONCRETE SURFACE REMOVAL, VARIABLE DEPTH	TEMPORARY RAMPS	PORTLAND CEMENT CONCRETE SURFACE REMOVAL - BUTT JOINT
LAFAYETTE AVENUE							
73+42.65	73+87.65	12.8	0.3		17.9		113.3
73+87.65	121+01.49	1,335.6	26.7	466.7	1,649.8	6,943.3	
121+01.49	121+46.78	25.3	0.5		35.4		337.4
PROJECT TOTAL		1373.7	27.5	466.7	1703.1	6943.3	450.7
USE		1374	28	467	1704	6944	451

STORM SEWER REMOVAL

STATION TO STATION	SIDE		STORM SEWER REMOVAL 8"	STORM SEWER REMOVAL 10"	TRENCH BACKFILL
			FOOT		CJ YD
LAFAYETTE AVENUE					
115+95.1	115+95.9	RT		26.1	9
115+95.2	116+36.6	RT	41.5		11
115+95.6	115+95.9	LT		15.6	6
115+95.7	116+48.0	LT	52.4		16
117+89.3	117+92.3	RT		3.0	
117+89.3	118+06.2	RT		17.0	
118+06.3	118+21.8	RT		15.6	
118+18.8	118+21.8	RT		3.0	
121+05.4	121+23.0	RT		17.6	5
PROJECT TOTAL			93.9	97.9	47
USE			94	98	47

COMBINATION CONCRETE CURB AND GUTTER REMOVAL AND REPLACEMENT

STATION TO STATION	SIDE		COMBINATION CONCRETE CURB AND GUTTER REMOVAL	COMBINATION CONCRETE CURB AND GUTTER, TYPE B-6.12
			FOOT	
LAFAYETTE AVENUE				
115+88.00	116+52.50	LT	64.5	64.5
115+88.00	116+52.50	RT	64.5	64.5
117+90.65	117+90.65	RT	12.0	12.0
118+20.65	118+20.65	RT	12.0	12.0
120+93.35	121+11.46	RT	28.1	28.1
120+94.10	121+11.60	LT	26.6	26.6
PROJECT TOTAL			207.7	207.7
USE			208	208

STORM SEWER SCHEDULE

STATION	SIDE	TYPE	STANDARD AND DESIGN NUMBER	STORM SEWERS			MANHOLES 5 FT DIAMETER	INLETS			TRENCH BACKFILL
				WATER MAIN REQUIREMENTS				TYPE A	TYPE B	SPECIAL TYPE E	
				15 IN	18 IN	30 IN					
LAFAYETTE AVENUE											
116+45.0	LT	INLET								1	1
		SS		4							
116+45.0	RT	INLET								1	4
		SS		30							
116+45.0	LT	MH	602401, 602601, 604001				1				42
		SS			172						
117+91.2	RT	INLET	602301, 604051					1			6
		SS		28							
118+20.1	RT	INLET	602306, 602601, 604051						1		15
		SS		52							
118+20.1	LT	MH	602401, 602601, 604001				1				93
		SS			272						
120+97.1	LT	MH	602401, 602601, 604001				1				18
		SS			30						
120+96.4	RT	INLET	602301, 604051					1			10
		SS		28							
120+97.1	LT	INLET	602301, 604051					1			2
		SS		2							
PROJECT TOTAL				144	172	302	3	3	1	2	191
USE				144	172	302	3	3	1	2	191

FILE NAME = V:\2788\27880002.dgn

USER NAME = jwhite

DESIGNED - JRB

REVISED -

DRAWN - RLR

REVISED -

PLOT SCALE = 1/8" = 1' IN.

CHECKED - JRB

REVISED -

PLOT DATE = 11/23/2009

DATE - 2009

REVISED -

STATE OF ILLINOIS
DEPARTMENT OF TRANSPORTATION

LAFAYETTE AVENUE (FAU ROUTE 8169)
SCHEDULE OF QUANTITIES

SCALE: N/A

SHEET NO. 1 OF 1 SHEETS

STA. N/A TO STA. N/A

F.A.U. RTE. 8169

SECTION 09-00123-00-RS

COUNTY MORGAN

TOTAL SHEETS 13

SHEET NO. 5

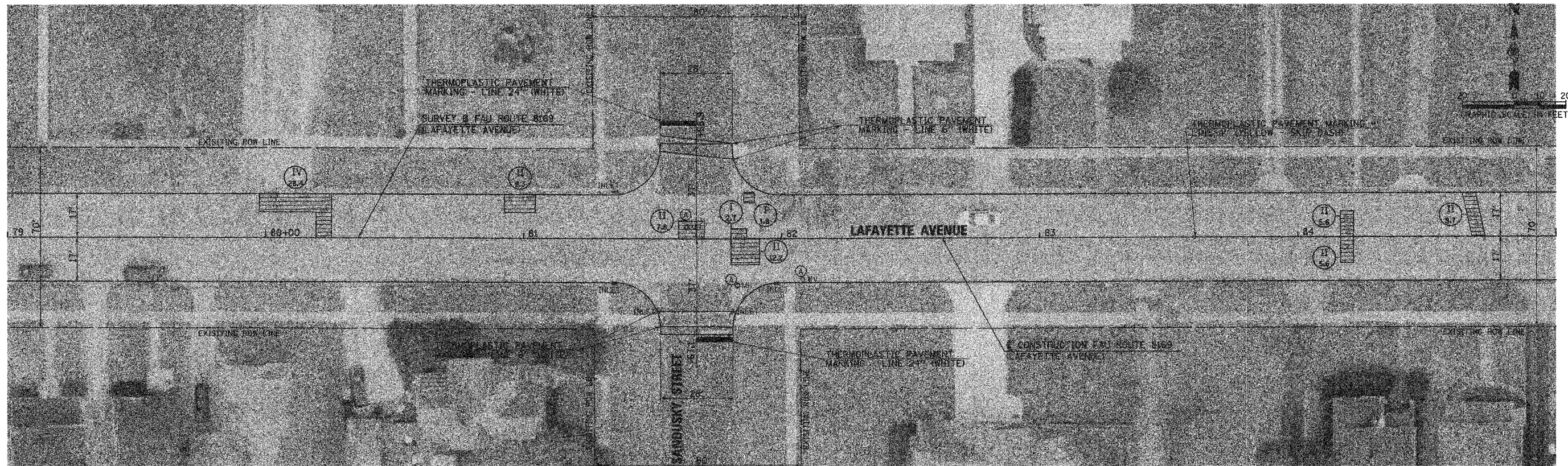
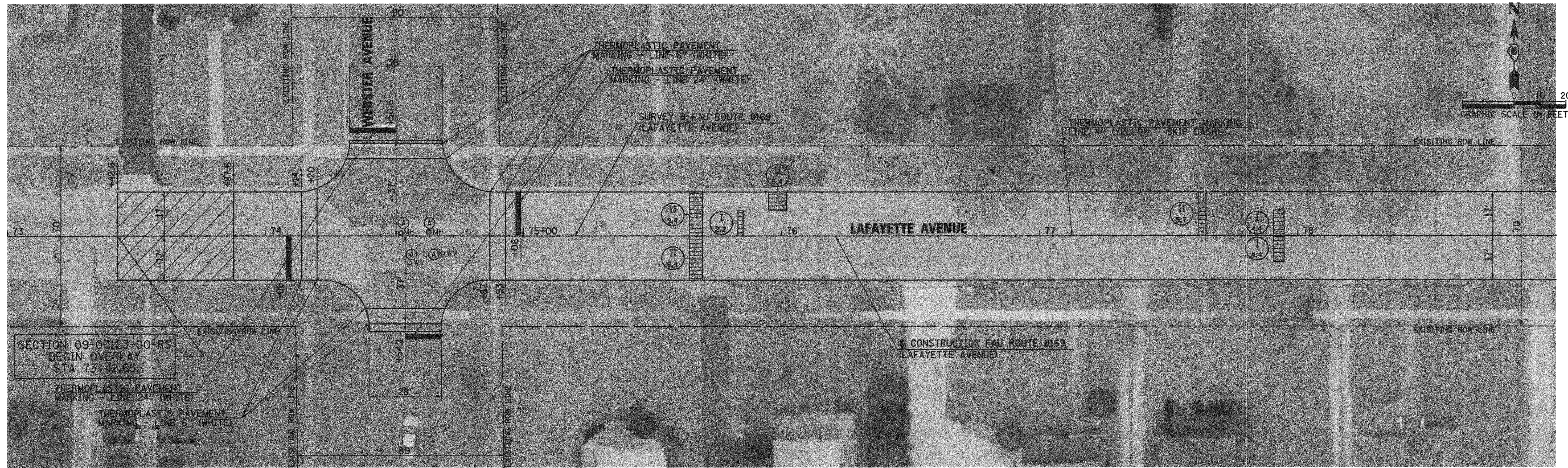
CONTRACT NO. 093514

ILLINOIS FED. AID PROJECT

PAVEMENT PATCHING SCHEDULE					
STATION TO STATION	SIDE	CLASS C PATCHES, 9 INCH			
		TYPE I	TYPE II	TYPE III	TYPE IV
SQ YD					
LAFAYETTE AVENUE					
75+64.3	75+69.3	LT		9.4	
75+64.3	75+69.3	RT		9.4	
75+83.1	75+85.1	LT	2.2		
75+95.0	76+02.0	LT		5.4	
77+61.5	77+64.5	LT		5.7	
77+90.7	77+94.7	LT	4.4		
77+90.7	77+94.7	RT	4.4		
79+97.6	80+25.6	LT			28.4
80+92.5	81+04.5	LT		9.3	
81+60.1	81+70.1	LT		7.8	
81+80.4	81+86.4	LT	2.7		
81+80.4	81+91.4	RT		12.2	
81+85.4	81+89.4	LT	1.8		
84+16.6	84+21.6	LT		5.6	
84+16.6	84+21.6	RT		5.6	
84+63.7	84+72.3	LT		9.7	
86+41.8	86+57.8	LT		7.1	
86+50.4	86+55.4	RT		5.6	
86+78.3	87+82.3	LT			47.3
87+96.7	88+14.4	LT		11.1	
88+38.9	88+49.9	LT		8.6	
89+58.5	89+73.5	RT			16.7
89+60.6	89+65.6	LT	2.8		
90+21.9	90+25.9	LT	2.2		
90+79.6	90+83.6	RT	1.8		
91+21.5	91+25.5	LT	1.8		
91+44.4	91+47.4	LT	3.3		
94+84.4	94+99.4	RT			28.3
95+03.4	95+13.4	LT		7.8	
95+77.1	95+82.1	RT		5.6	
96+72.5	96+76.5	LT	4.4		
96+83.8	96+87.8	LT	1.3		
97+58.8	97+61.8	LT		5.7	
103+49.3	103+54.3	LT	2.2		
106+44.5	106+47.5	LT	3.3		
106+78.9	106+82.9	RT	4.4		
108+19.1	108+27.1	LT		13.3	
108+27.8	108+30.8	RT	0.7		
108+36.0	108+41.0	RT	2.8		
108+37.4	108+42.4	LT	1.7		
111+53.9	111+82.9	LT			68.7
111+53.9	111+82.9	RT			68.0
112+36.1	112+40.1	LT		7.3	
112+36.1	112+40.1	RT	4.7		
113+48.2	113+72.2	LT			32.9
113+48.2	113+96.2	RT			54.7
114+14.1	114+18.1	LT	1.3		
114+51.6	114+55.6	RT	1.8		
114+56.7	114+60.7	LT	2.7		
115+93.2	115+98.2	RT		6.7	
115+94.4	115+97.1	LT	4.7		
116+06.1	116+2.1	LT		7.1	
116+42.0	116+43.5	LT	2.9		
116+42.0	116+43.5	RT	0.7		
116+43.5	118+17.3	LT			65.6
116+43.5	116+46.5	RT		5.5	
116+46.5	116+50.0	LT	1.1		
116+46.5	116+50.0	LT	4.3		
116+46.5	116+50.0	RT	1.6		
116+94.4	117+00.4	RT	2.7		
117+27.0	117+31.0	RT	1.8		
117+62.3	117+67.3	LT	1.6		
117+73.7	117+93.7	LT		6.5	
117+81.7	117+86.7	LT		6.1	
117+81.7	117+86.7	RT		10.7	
117+91.7	118+06.3	RT	4.9		
117+92.3	118+05.3	RT			15.9
118+02.5	118+09.5	LT		7.8	
118+06.2	118+21.6	RT			17.8
118+17.3	120+94.1	LT			117.5
118+76.5	118+92.5	LT	4.7		
119+00.0	119+03.0	LT	0.9		
119+00.0	119+03.0	LT	3.6		
119+00.0	119+03.0	RT	1.7		
120+94.1	121+31.4	LT			20.3
120+95.0	120+98.3	RT		5.6	
121+07.4	121+23.0	RT	3.9		
PROJECT TOTAL			99.8	208.2	70.7
USE			100	209	71
					511.4
					512

PCC SIDEWALK REMOVAL, REPLACEMENT AND DETECTABLE WARNINGS				
STATION TO STATION	SIDE	SIDEWALK REMOVAL	PORTLAND CEMENT CONCRETE SIDEWALK 4 INCH	DETECTABLE WARNINGS
LAFAYETTE AVENUE				
NORTH CHURCH STREET INTERSECTION				
NORTHWEST QUADRANT	LT	96.6	86.1	12.8
SOUTHWEST QUADRANT	RT	91.9	86.0	14.0
PROJECT TOTAL		188.5	172.1	26.8
USE		189	173	27

ITEMS TO BE REMOVED OR ADJUSTED							
STATION	OFFSET	SIDE	MANHOLES TO BE ADJUSTED	VALVE BOXES TO BE ADJUSTED	REMOVING CATCH BASINS	REMOVING INLETS	FILLING MANHOLES
LAFAYETTE AVENUE							
74+52.43	1.01	LT	1				
74+55.82	10.32	RT		1			
74+63.21	1.58	LT	1				
74+68.55	6.56	RT		1			
81+63.18	4.56	LT	1				
81+82.84	17.98	RT	1				
82+08.21	15.73	RT		1			
87+85.60	5.08	RT	1				
88+28.49	5.01	RT	1				
88+29.44	0.98	LT	1				
94+01.19	9.19	RT	1				
94+64.43	11.95	RT		1			
94+95.35	3.37	RT	1				
95+04.05	4.20	LT		1			
100+51.36	5.79	RT	1				
100+83.97	2.54	LT		1			
102+43.21	3.88	RT	1				
103+45.11	11.06	RT		1			
108+29.43	13.03	RT	1				
108+29.73	0.26	RT	1				
108+33.85	6.58	LT		1			
108+38.32	26.05	LT		1			
111+62.77	1.72	LT	1				
111+67.85	27.52	LT	1				
111+77.62	12.22	RT	1				
111+77.75	1.04	LT	1				
111+83.02	29.52	RT		1			
115+95.12	20.94	RT				1	
115+95.61	20.74	LT				1	
115+95.89	5.12	LT	1				
116+36.64	17.65	RT				1	
116+48.03	17.38	LT				1	
117+74.87	4.96	LT	1				
117+74.87	14.04	RT		1			
117+89.25	49.00	RT					1
117+92.25	49.00	RT				1	
118+06.68	4.71	LT	1				
118+18.82	42.00	RT				1	
118+21.82	42.00	RT					1
121+05.41	23.79	RT			1		
121+22.97	22.93	RT	1				
121+23.26	7.35	LT	1				
121+31.34	12.16	LT	1				
121+35.01	1.69	LT		1			
121+41.02	3.63	RT		1			
121+46.89	27.24	RT		1			
PROJECT TOTAL			23	14	1	6	2
USE			23	14	1	6	2



FILE NAME =
V:\2788\2788PPL.dgn

USER NAME = jwhite
PLOT SCALE = 28.0000' / IN.
PLOT DATE = 11/23/2009

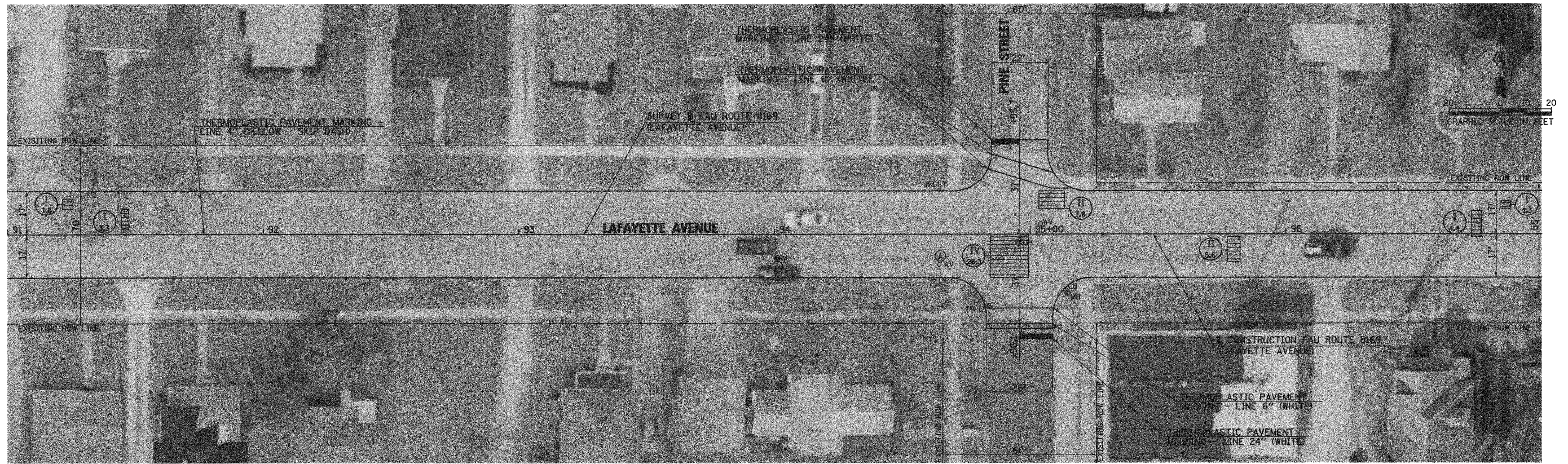
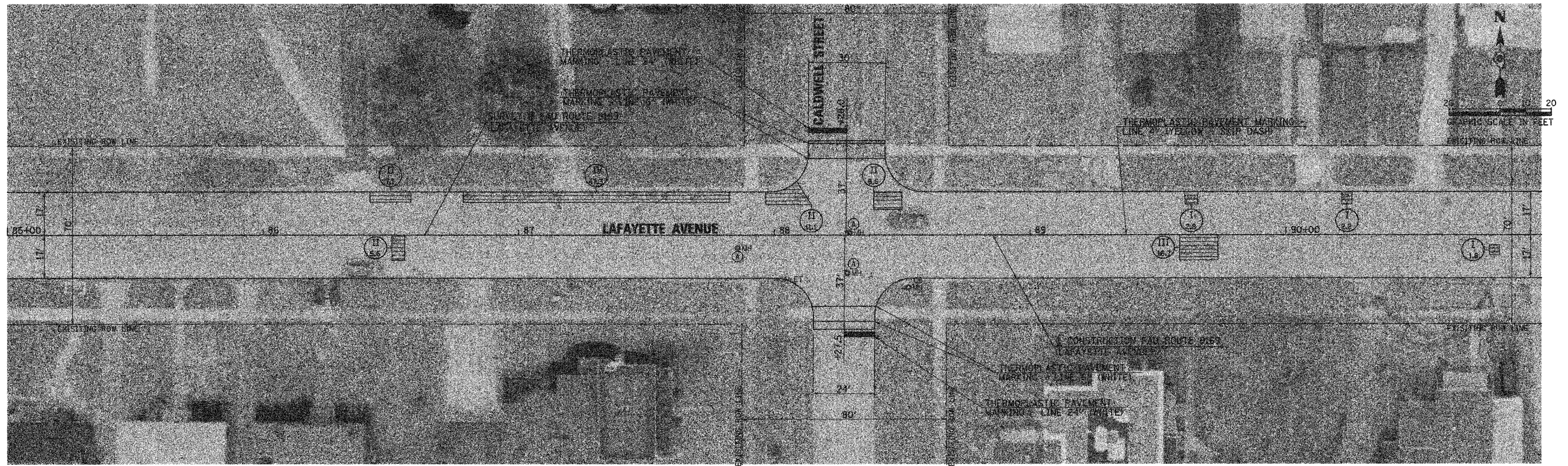
DESIGNED -	REVISED -
DRAWN -	REVISED -
CHECKED -	REVISED -
DATE -	REVISED -

**STATE OF ILLINOIS
DEPARTMENT OF TRANSPORTATION**

**LAFAYETTE AVENUE (FAU 8169) PROPOSED PLAN
STA 73+42.65 TO STA 85+00.00**

SCALE: 1" = 20'-0" SHEET NO. 1 OF 5 SHEETS | STA. 73+42.65 TO STA. 85+00.00

F.A.U. RTE.	SECTION	COUNTY	TOTAL SHEETS	SHEET NO.
8169	09-00123-00-RS	MORGAN	13	7
				CONTRACT NO. 93514
ILLINOIS FED. AID PROJECT				



FILE NAME =
V:\2788\2788PP2.dgn

USER NAME = jwhite
PLOT SCALE = 28,0000 "/>

DESIGNED -
DRAWN -
CHECKED -
DATE -

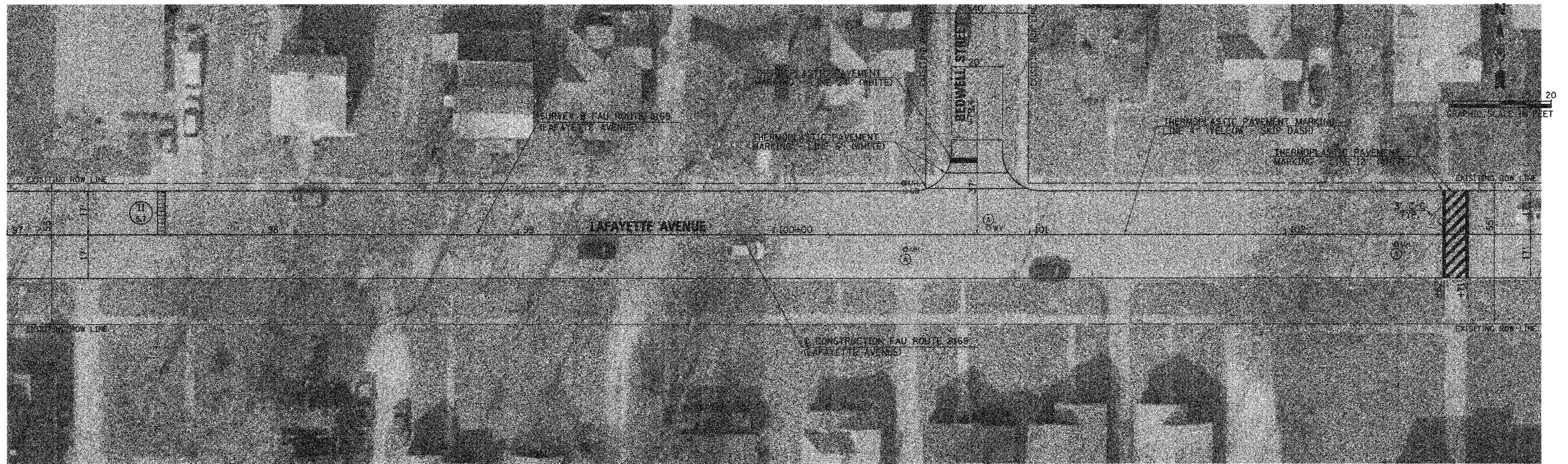
REVISED -
REVISED -
REVISED -
REVISED -

**STATE OF ILLINOIS
DEPARTMENT OF TRANSPORTATION**

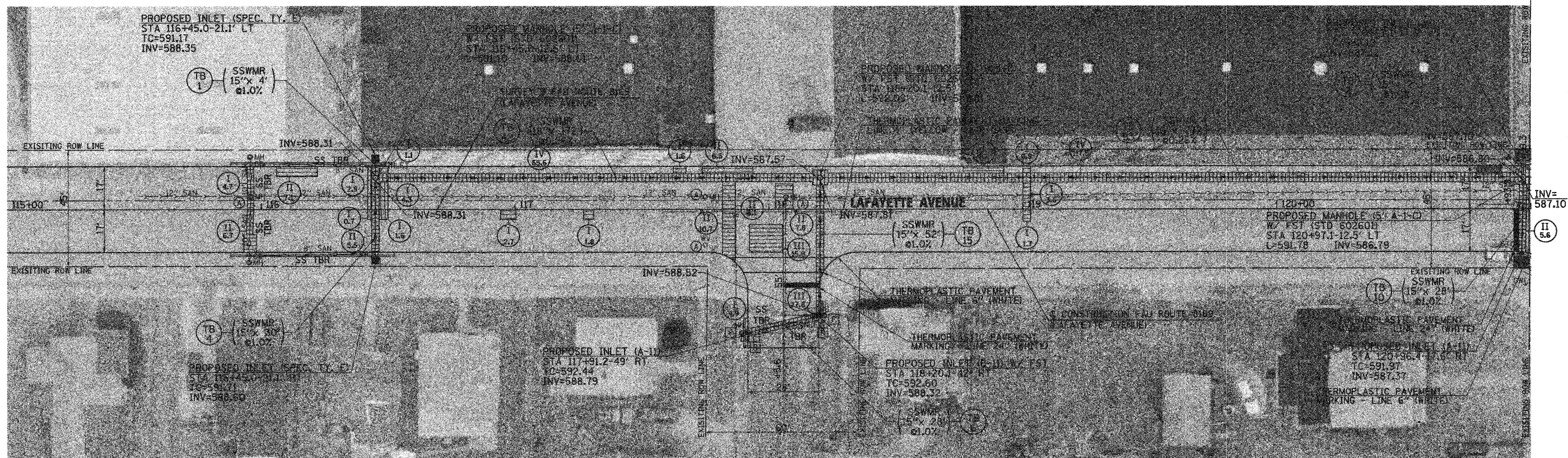
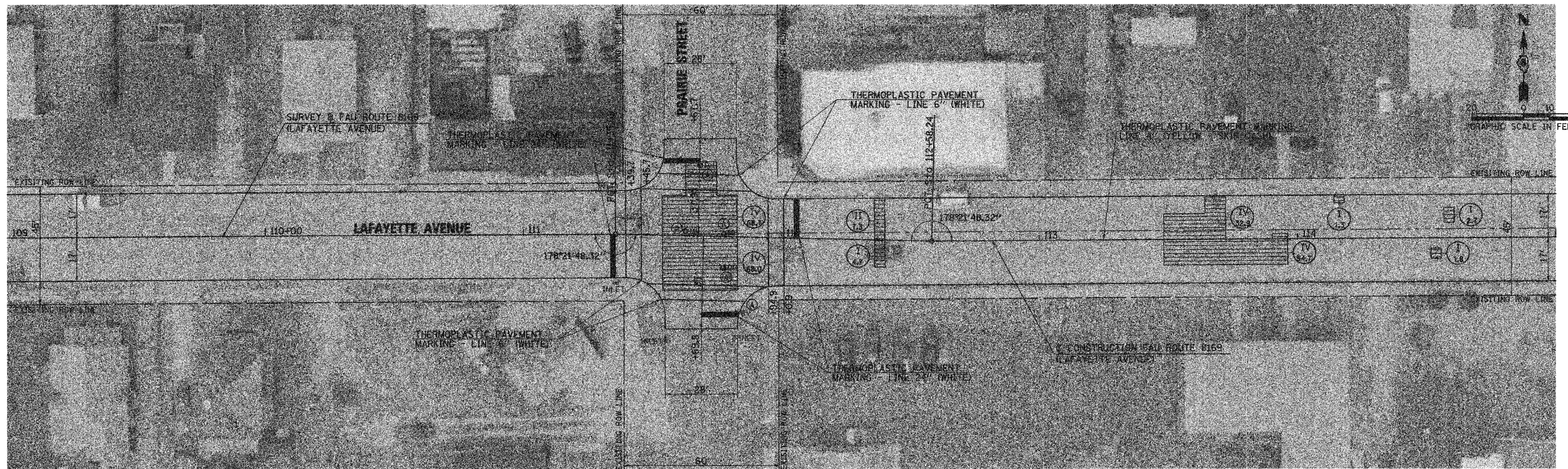
**LAFAYETTE AVENUE (FAU 8169) PROPOSED PLAN
STA 85+00.00 TO STA 97+00.00**

SCALE: 1" = 20'-0" SHEET NO. 2 OF 5 SHEETS STA. 85+00.00 TO STA. 97+00.00

F.A.U. RTE.	SECTION	COUNTY	TOTAL SHEETS	SHEET NO.
8169	09-00123-00-RS	MORGAN	13	8
			CONTRACT NO. 9314	
ILLINOIS FED. AID PROJECT				



FILE NAME = V:\2788\2788PP3.dgn	USER NAME = jwhite	DESIGNED -	REVISED -	STATE OF ILLINOIS DEPARTMENT OF TRANSPORTATION	LAFAYETTE AVENUE (FAU 8169) PROPOSED PLAN STA 97+00.00 TO STA 109+00.00		F.A.U. RTE. 8169	SECTION 09-00123-00-RS	COUNTY MORGAN	TOTAL SHEETS 13	SHEET NO. 9		
	PLOT SCALE = 28,000' / IN.	CHECKED -	REVISED -				SCALE: 1" = 20'-0" SHEET NO. 3 OF 5 SHEETS		STA. 97+00.00 TO STA. 109+00.00		CONTRACT NO. 93514 ILLINOIS FED. AID PROJECT		
	PLOT DATE = 11/23/2009	DATE -	REVISED -										



FILE NAME = V:\2788\2788PP4.dgn
 USER NAME = jwhite
 DESIGNED -
 DRAWN -
 PLOT SCALE = 28.0000' / IN.
 CHECKED -
 PLOT DATE = 11/23/2009

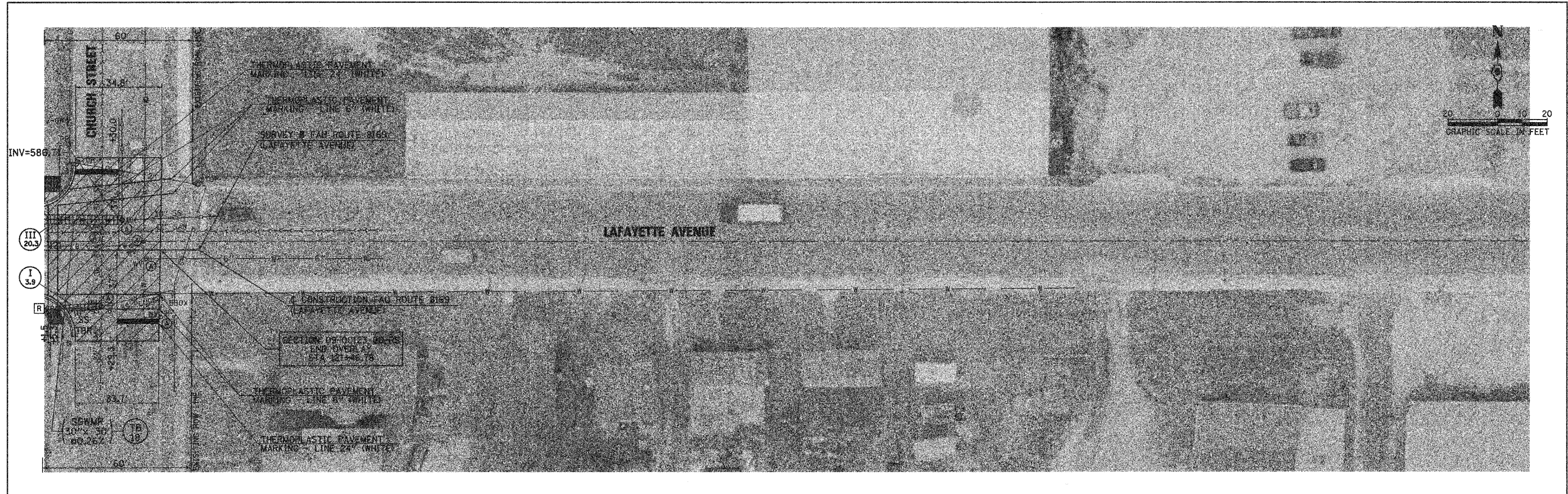
DESIGNED -	REVISED -
DRAWN -	REVISED -
CHECKED -	REVISED -
DATE -	REVISED -

**STATE OF ILLINOIS
 DEPARTMENT OF TRANSPORTATION**

**LAFAYETTE AVENUE (FAU 8169) PROPOSED PLAN
 STA 109+00.00 TO STA 121+00.00**

SCALE: 1" = 20'-0" SHEET NO. 4 OF 5 SHEETS STA. 109+00.00 TO STA. 121+00.00

F.A.U. RTE.	SECTION	COUNTY	TOTAL SHEETS	SHEET NO.
8169	09-00123-00-RS	MORGAN	13	10
CONTRACT NO. 93514			ILLINOIS FED. AID PROJECT	



FILE NAME =
V:\2788\2789PP5.dgn

USER NAME = jwhite
PLOT SCALE = 28,0000' / IN.
PLOT DATE = 11/23/2009

DESIGNED -
DRAWN -
CHECKED -
DATE -

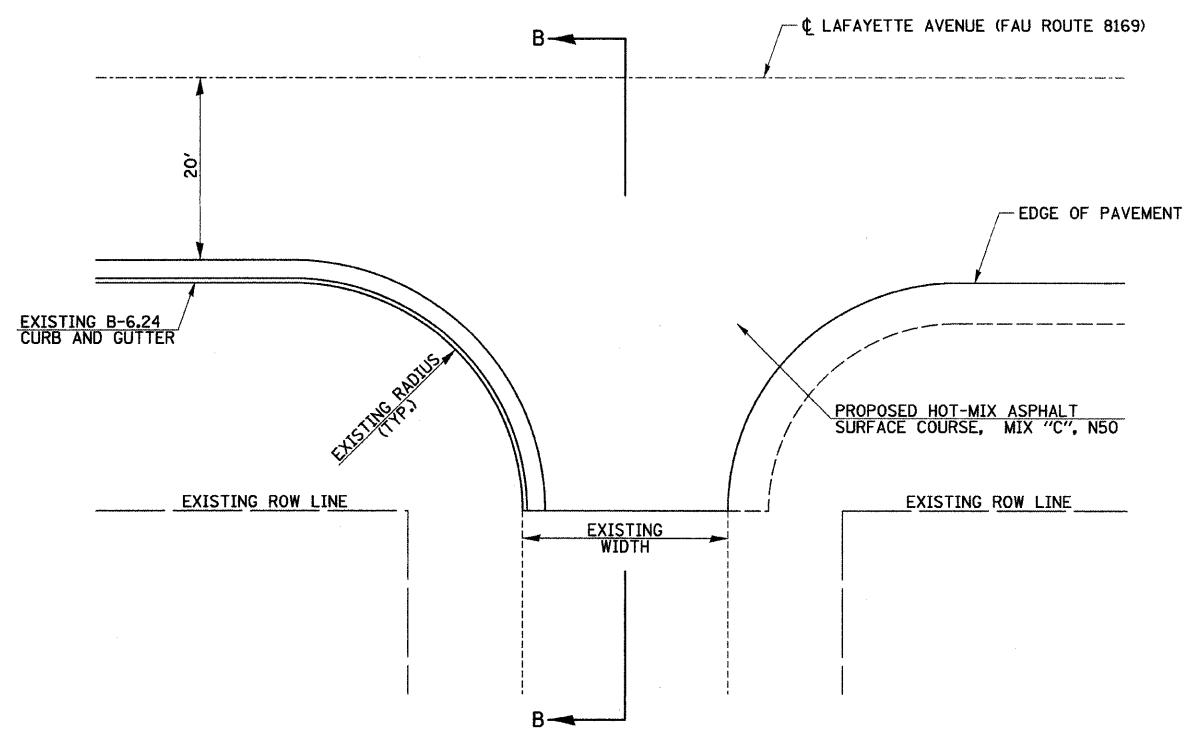
REVISED -
REVISED -
REVISED -
REVISED -

**STATE OF ILLINOIS
DEPARTMENT OF TRANSPORTATION**

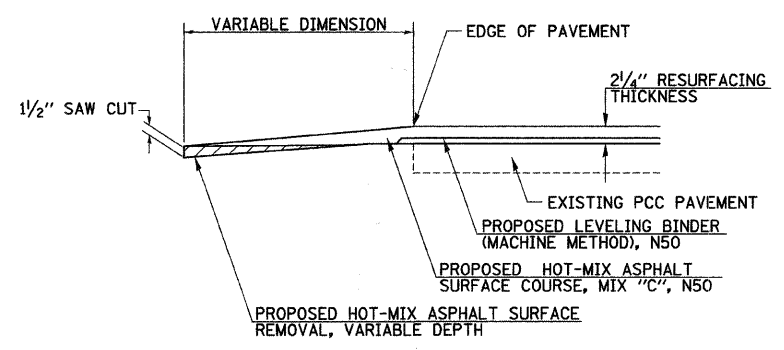
**LAFAYETTE AVENUE (FAU 8169) PROPOSED PLAN
STA 121+00.00 TO STA 121+62.35**

SCALE: 1" = 20'-0" SHEET NO. 5 OF 5 SHEETS STA. 121+00.00 TO STA. 121+62.35

F.A.U. RTE.	SECTION	COUNTY	TOTAL SHEETS	SHEET NO.
8169	09-00123-00-RS	MORGAN	13	11
			CONTRACT NO. 93514	
ILLINOIS FED. AID PROJECT				

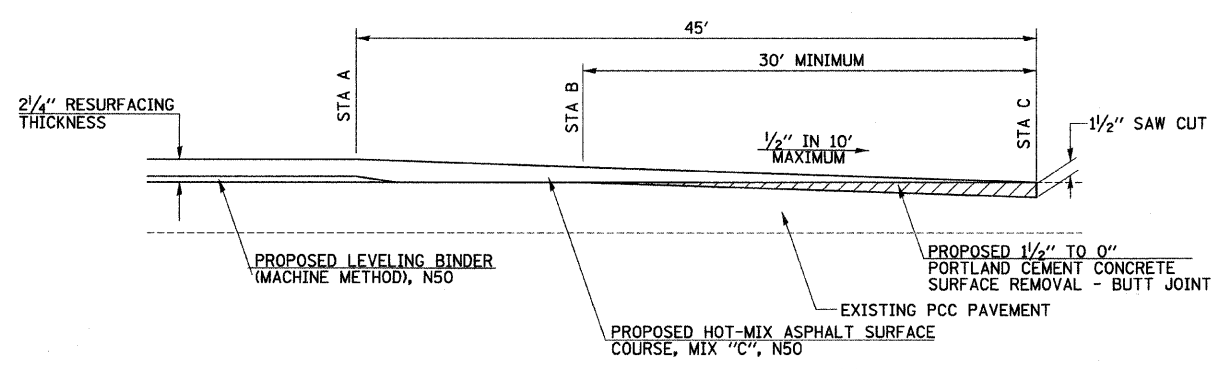


PLAN OF SIDE STREET TAPER



SECTION B-B
PROPOSED SIDEROAD TAPER

SIDE STREET DETAIL



STA A	STA B	STA C
73+87.65	73+72.65	73+42.65
121+01.49	121+16.49	121+46.78

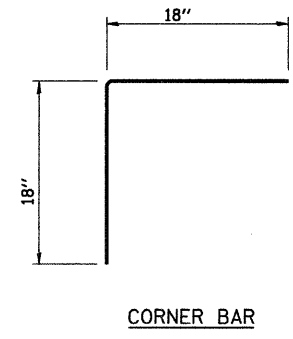
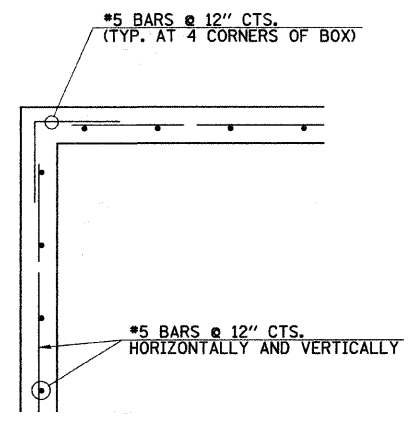
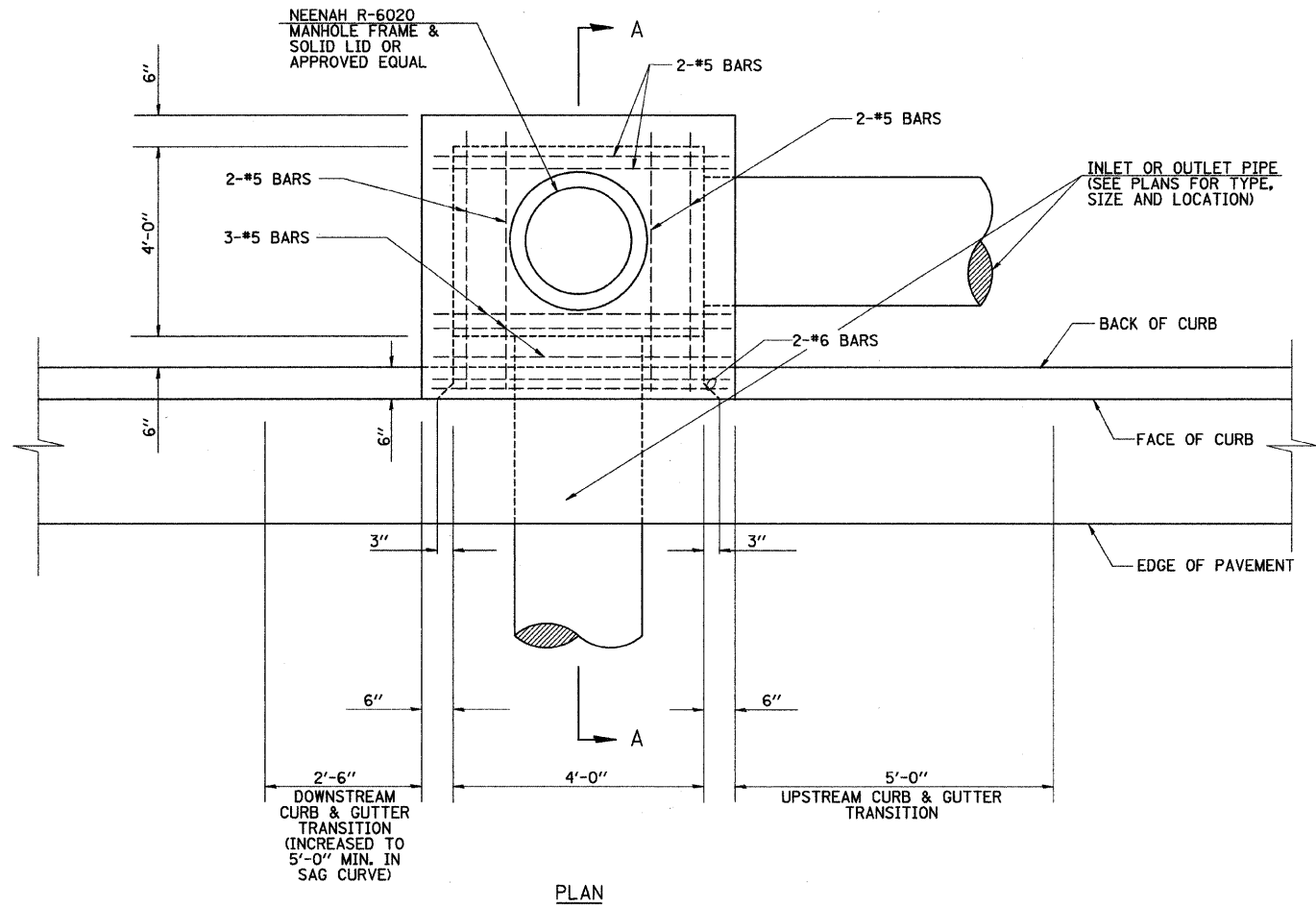
HMA TAPER/BUTT JOINT DETAIL
LAFAYETTE AVENUE

FILE NAME = V:\2788\27880001.dgn	USER NAME = jwhite	DESIGNED - JRB	REVISED -
		DRAWN - JMO	REVISED -
	PLOT SCALE = 1.0000' / IN.	CHECKED - JRB	REVISED -
	PLOT DATE = 11/23/2009	DATE - 2009	REVISED -

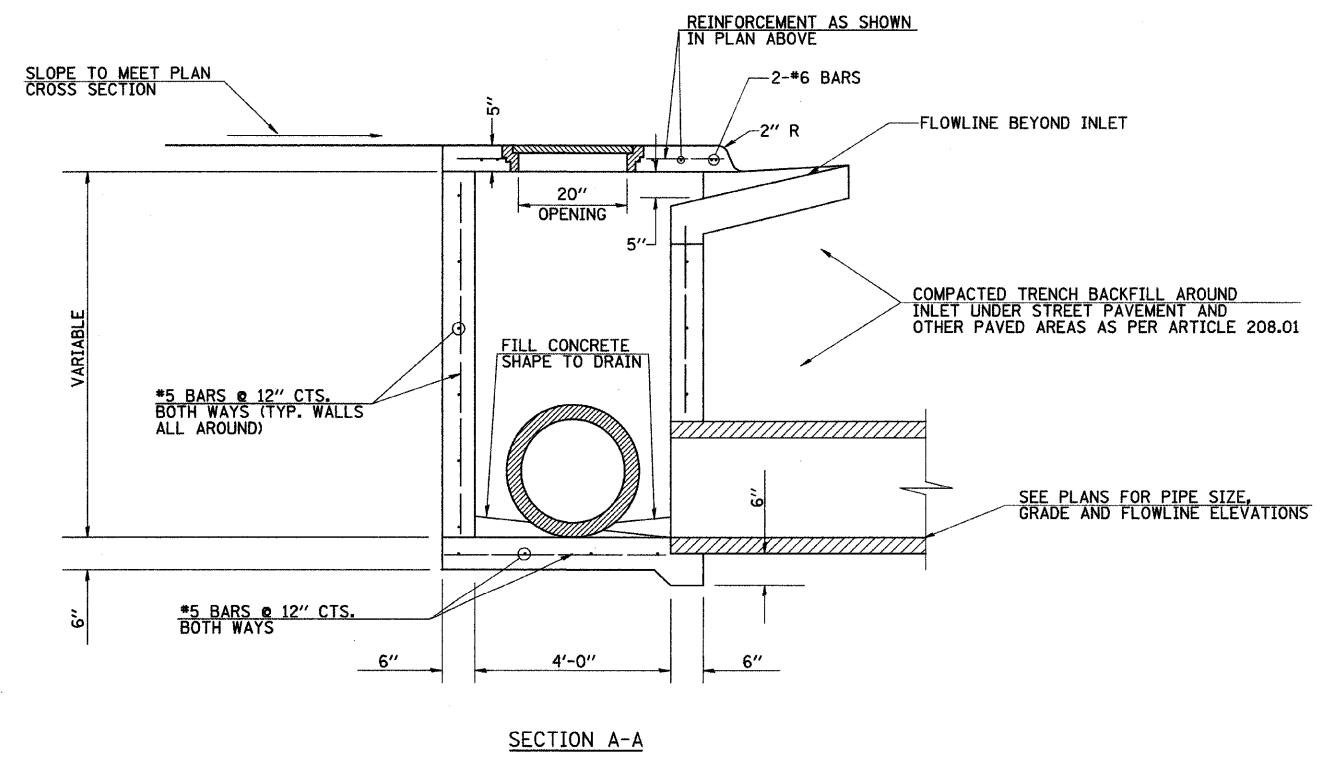
STATE OF ILLINOIS
DEPARTMENT OF TRANSPORTATION

LAFAYETTE AVENUE (FAU 8169) SPECIAL DETAILS		
SCALE: N/A	SHEET NO. 1 OF 1 SHEETS	STA. N/A TO STA. N/A

F.A.U. RTE.	SECTION	COUNTY	TOTAL SHEETS	SHEET NO.
8169	09-00123-00-RS	MORGAN	13	12
CONTRACT NO. 93514				
ILLINOIS FED. AID PROJECT				



TYPICAL CORNER REINFORCEMENT



GENERAL NOTES

THE CONTRACT UNIT PRICE FOR INLET, SPECIAL, TYPE E SHALL INCLUDE THE COST OF THE LID AS SHOWN, THE REINFORCED CONCRETE COVER, A SAND CUSHION WHEN REQUIRED, EXCAVATION AND FURNISHING AND COMPACTING THE SPECIFIED BACKFILL MATERIAL. ADDITIONALLY IT WILL BE NECESSARY TO MEET ALL OTHER REQUIREMENTS OF ART. 602.16 OF THE STANDARDS SPECIFICATIONS.

FRONT EDGE OF TOP SLAB SHALL CONFORM WITH THE RADIUS OF ADJACENT CURB WHERE INLET IS LOCATED WITHIN CURB RETURNS AT INTERSECTIONS.

COST OF REINFORCING BARS INCLUDED IN THE COST OF INLET.

*5 REBARS SHALL BE PLACED HORIZONTALLY & VERTICALLY AT 12" CENTERS IN WALLS ALL AROUND, WITH 18" x 18" L BARS AT CORNERS.

FILE NAME = V:\2786\2786D002.dgn	USER NAME = jwhite	DESIGNED - JRB	REVISED -
		DRAWN - JMO	REVISED -
		CHECKED - JRB	REVISED -
		DATE - 2009	REVISED -

STATE OF ILLINOIS
DEPARTMENT OF TRANSPORTATION

LAFAYETTE AVENUE (FAU 8169)
SPECIAL DETAILS

SCALE: N/A SHEET NO. 1 OF 1 SHEETS STA. N/A TO STA. N/A

F.A.U. RTE.	SECTION	COUNTY	TOTAL SHEETS	SHEET NO.
8169	09-00123-00-RS	MORGAN	13	13
				CONTRACT NO. 03514
ILLINOIS FED. AID PROJECT				