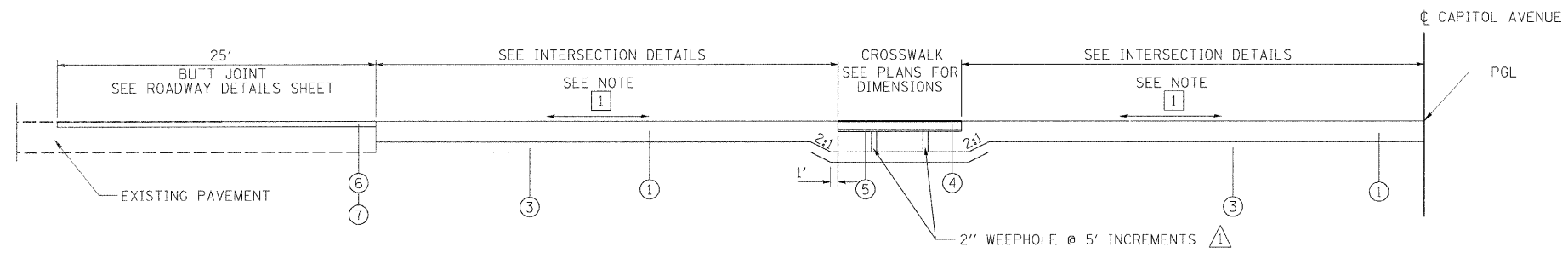


F.A.U. RTE.	SECTION	COUNTY	TOTAL SHEETS	SHEET NO.
7982	*	SANGAMON	68	19
STA.		TO STA.		
FED. ROAD DIST. NO.	ILLINOIS	FED. AID PROJECT		
* 09-00447-03-PV		CITY OF SPRINGFIELD		

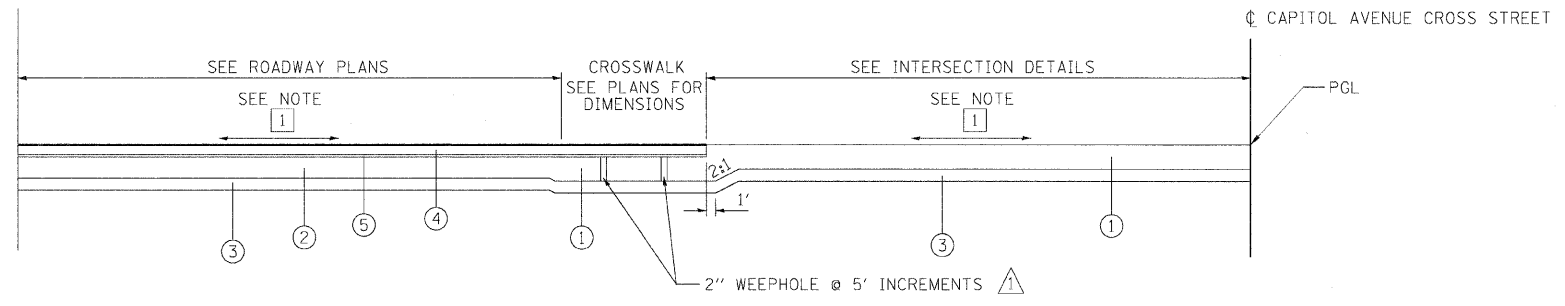
- LEGEND**
- ① PORTLAND CEMENT CONCRETE PAVEMENT 8" (JOINTED)
 - ② PORTLAND CEMENT CONCRETE PAVEMENT 7" (JOINTED)
 - ③ SUB-BASE GRANULAR MATERIAL, TYPE A 4"
 - ④ CONCRETE PAVERS, 3 1/8 "
 - ⑤ SAND BEDDING LAYER, 1"
 - ⑥ HOT-MIX ASPHALT SURFACE REMOVAL - BUTT JOINT
 - ⑦ HOT-MIX ASPHALT SURFACE COURSE, MIX "C", N50

NOTES

▲ WEEP HOLES TO BE FORMED WITH PAVEMENT AND FILLED WITH CA-16 (PEA GRAVEL)



INTERSECTION TYPICAL SECTION ALONG CAPITOL AVENUE CROSS STREET AT 6TH
 1 SEE INTERSECTION ELEVATION DETAILS SHEETS



INTERSECTION TYPICAL SECTION ALONG CAPITOL AVENUE AT 6TH
 1 SEE INTERSECTION ELEVATION DETAILS SHEETS

PCC PAVEMENT - MIDDLEBLOCK (7")

STRUCTURAL DESIGN TRAFFIC	YEAR 2017	
PV = 5782	SU = -	MU = 118
ROAD/STREET CLASSIFICATION:	CLASS II	
PERCENT OF STRUCTURAL DESIGN TRAFFIC IN DESIGN LANE:		
P = 98%	S = -	M = 2%
TRAFFIC FACTOR:	ACTUAL TF = .57	AC TYPE = N/A
	MINIMUM TF = N/A	
PG GRADE:	BINDER = N/A	SURFACE = N/A
SUBGRADE SUPPORT RATING:	SSR = POOR	

PCC PAVEMENT - INTERSECTIONS (8")

STRUCTURAL DESIGN TRAFFIC	YEAR 2017	
PV = 15,092	SU = -	MU = 308
ROAD/STREET CLASSIFICATION:	CLASS I	
PERCENT OF STRUCTURAL DESIGN TRAFFIC IN DESIGN LANE:		
P = 98%	S = -	M = 2%
TRAFFIC FACTOR:	ACTUAL TF = 1.93	AC TYPE = N/A
	MINIMUM TF = N/A	
PG GRADE:	BINDER = N/A	SURFACE = N/A
SUBGRADE SUPPORT RATING:	SSR = POOR	

HOT-MIX ASPHALT MIXTURE REQUIREMENTS

ITEM	AGGREGATE COMPOSITION	ASPHALT GRADE	VOIDS
HMA SURFACE	IL - 12.5 MIX "C"	PG 64-22	4.0% @ N50

REVISIONS

NAME	DATE

ILLINOIS DEPARTMENT OF TRANSPORTATION
 PROPOSED TYPICAL SECTIONS
 INTERSECTIONS
 FAU RTE 7982 CAPITOL AVE
 SEC NO. 09-00447-03-PV
 SANGAMON COUNTY, ILLINOIS

SCALE: VERT. DRAWN BY DAP
 HORIZ. CHECKED BY JXH
 DATE 10/9/09



LAYOUT: DAP 10/23/09
 DRAWN: DAP 10/23/09
 REVIEWED: WH 10/23/09

PLOT DATE = 11/23/2009
 FILE NAME = I:\B2\jobs\25226\1\A\CD\03\and\Microstation\Sheet\Section_2.5.dwg
 PLOT SCALE = 5.00000000
 USER NAME = Hagan@hanson

© Copyright Hanson Professional Services Inc. 2009