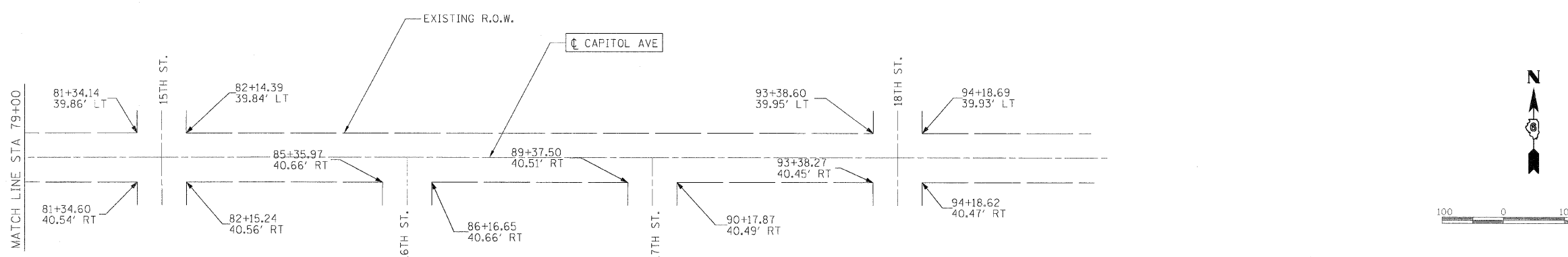
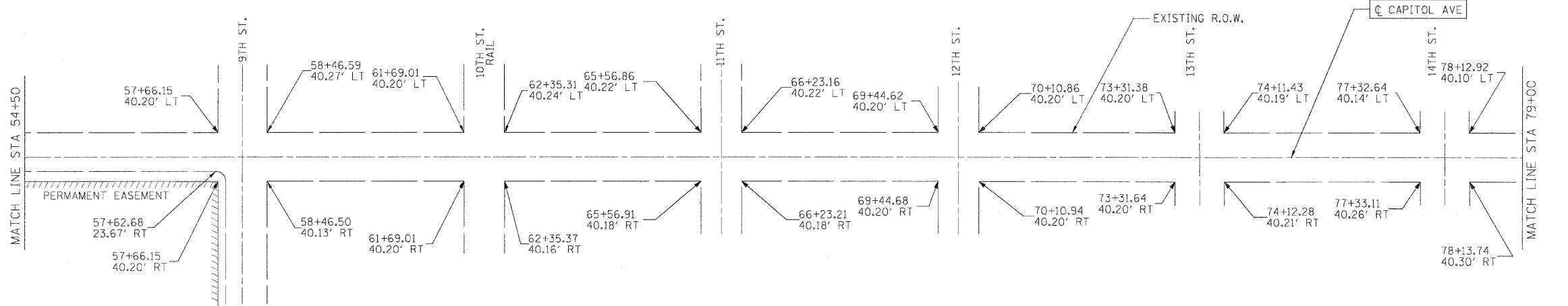
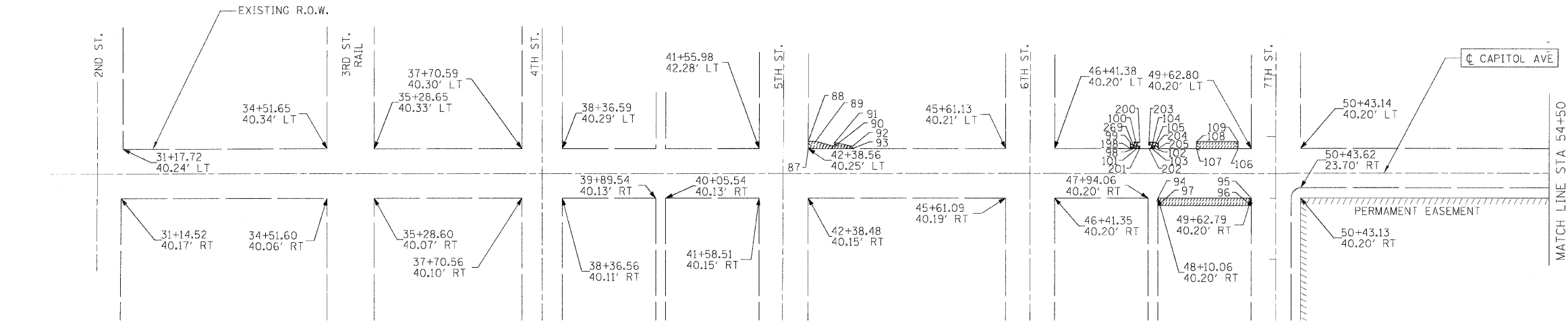


F.A.U. RTE.	SECTION	COUNTY	TOTAL SHEETS	SHEET NO.
7982		SANGAMON	68	22
STA.		TO STA.		
FED. ROAD DIST. NO.		ILLINOIS FED. AID PROJECT		
09-00447-03-PV		CITY OF SPRINGFIELD		



**PERMANENT LANDSCAPE EASEMENT TABLE**

87 STA.	42+38.56	OFFSET:	40.25' LT
88 STA.	42+38.57	OFFSET:	52.25' LT
89 STA.	42+50.57	OFFSET:	52.23' LT
90 STA.	42+80.88	OFFSET:	44.04' LT
91 STA.	42+81.55	OFFSET:	50.47' LT
92 STA.	43+10.56	OFFSET:	44.24' LT
93 STA.	43+10.56	OFFSET:	40.24' LT
94 STA.	48+10.06	OFFSET:	40.20' RT
95 STA.	49+62.78	OFFSET:	40.20' RT
96 STA.	49+62.78	OFFSET:	52.20' RT
97 STA.	48+10.06	OFFSET:	52.20' RT
98 STA.	47+70.38	OFFSET:	40.20' LT
99 STA.	47+70.38	OFFSET:	45.20' LT
100 STA.	47+75.38	OFFSET:	45.20' LT
101 STA.	47+75.38	OFFSET:	40.20' LT
102 STA.	48+05.09	OFFSET:	40.20' LT
103 STA.	48+00.09	OFFSET:	40.20' LT
104 STA.	48+00.09	OFFSET:	45.20' LT
105 STA.	48+05.09	OFFSET:	45.20' LT
106 STA.	49+40.81	OFFSET:	40.20' LT
107 STA.	48+72.81	OFFSET:	40.20' LT
108 STA.	48+72.81	OFFSET:	51.70' LT
109 STA.	49+40.81	OFFSET:	51.70' LT

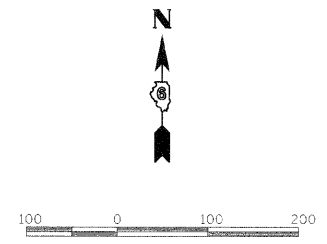
**TEMPORARY CONSTRUCTION EASEMENT TABLE**

198 STA.	47+65.39	OFFSET:	40.20' LT
199 STA.	47+65.39	OFFSET:	50.20' LT
200 STA.	47+80.39	OFFSET:	50.20' LT
201 STA.	47+80.39	OFFSET:	40.20' LT
202 STA.	47+94.81	OFFSET:	40.20' LT
203 STA.	47+94.81	OFFSET:	50.20' LT
204 STA.	48+09.81	OFFSET:	50.20' LT
205 STA.	48+09.81	OFFSET:	40.20' LT

**LEGEND**

- PROPOSED LANDSCAPE EASEMENT
- PROPOSED TEMPORARY EASEMENT
- EXISTING RIGHT OF WAY

(AS SHOWN IN PLANS)



NOTE: EASEMENTS TO BE ACQUIRED BY THE CITY OF SPRINGFIELD.

REVISIONS	
NAME	DATE

ILLINOIS DEPARTMENT OF TRANSPORTATION  
 EXISTING RIGHT-OF-WAY  
 FAU RTE 7982 CAPITOL AVE  
 SEC NO. 09-00447-03-PV  
 SANGAMON COUNTY, ILLINOIS

SCALE: VERT. / HORIZ. / DATE 10/9/09  
 DRAWN BY: LLP / CHECKED BY: MH



PLOT DATE: 11/23/2009  
 FILE NAME: I:\A25\pba\A25252814\CADD\Road\Map\pos\station\Sheet\Sec\100\_2\_5th-7th\C-104\_R0W.dgn  
 PLOT SCALE: 1/8" = 1'-0"  
 USER NAME: pba

DATE	11/23/2009
BY	LLP
CHECKED	MH
DATE	10/23/07
BY	LLP
CHECKED	MH
DATE	09/19/07
BY	MH
CHECKED	MH