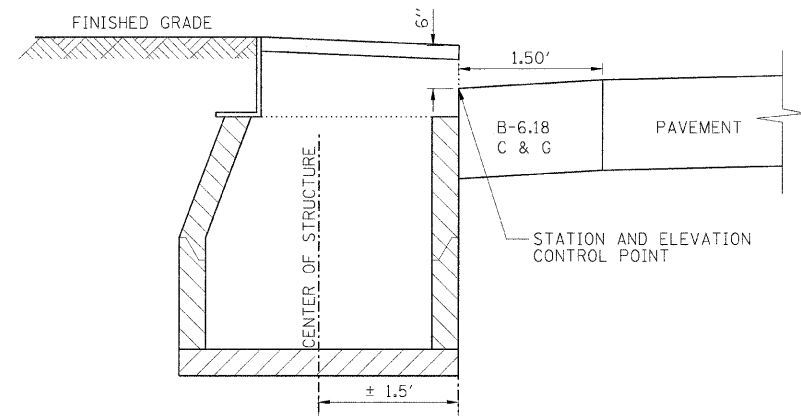
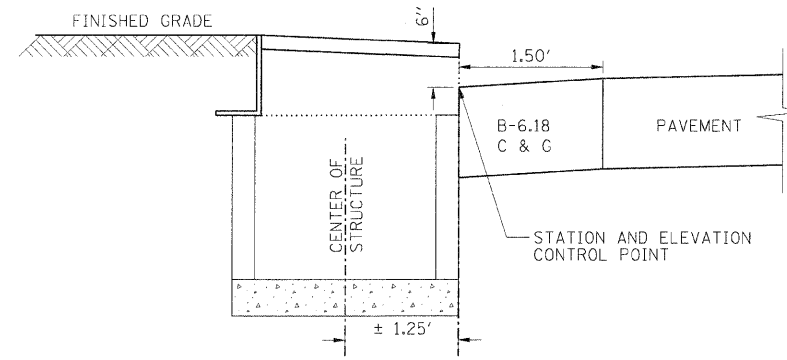


F.A.U. RTE.	SECTION	COUNTY	TOTAL SHEETS	SHEET NO.
7982	*	SANGAMON	68	53
STA.		TO STA.		
FED. ROAD DIST. NO.	ILLINOIS	FED. AID PROJECT		
* 09-00447-03-PV		CITY OF SPRINGFIELD		



CATCH BASIN SPECIAL OFFSET TO SPECIAL FRAME AND GRATE CONTROL POINT



INLET TYPE A OFFSET TO SPECIAL FRAME AND GRATE CONTROL POINT

REVISIONS	
NAME	DATE

ILLINOIS DEPARTMENT OF TRANSPORTATION  
DRAINAGE DETAILS

FAU RTE 7982 CAPITOL AVE  
SEC NO. 09-00447-03-PV  
SANGAMON COUNTY, ILLINOIS

SCALE: VERT.  
HORIZ.  
DATE 10/9/09

DRAWN BY DAP  
CHECKED BY MH



LAYOUT: DAP 02/23/07  
 DRAWN: DAP 02/23/07  
 REVIEWED: MH 09/19/07  
 PLOT DATE = 11/23/2009  
 FILE NAME = I:\A22\job\02252009\A\CR000\Road\Microstation\Sheet\ASection\_2.5th-7th\AC-2005.DRW\DET.dgn  
 PLOT SCALE = 1/2000 / / in.  
 USER NAME = Hapm09151