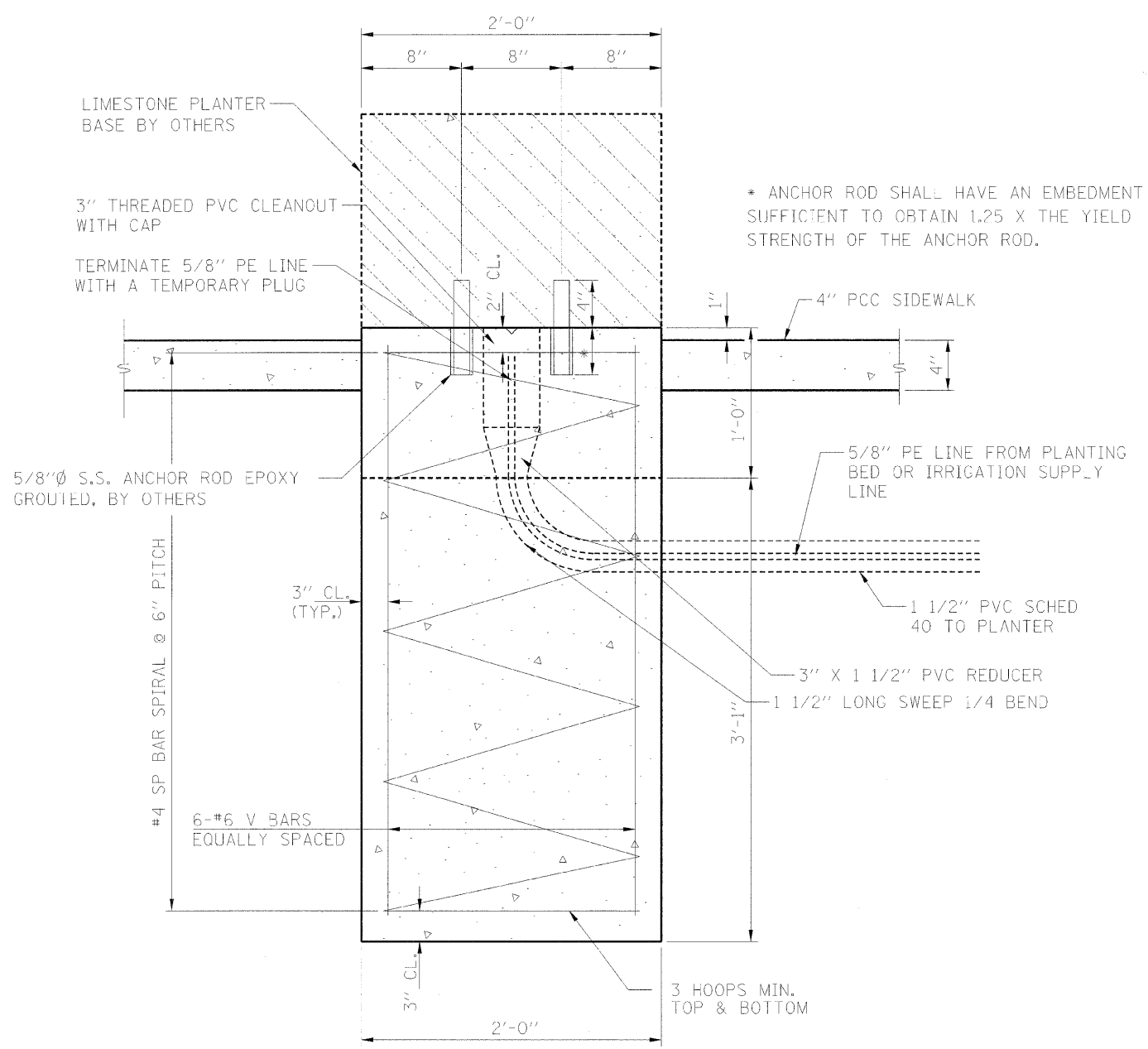


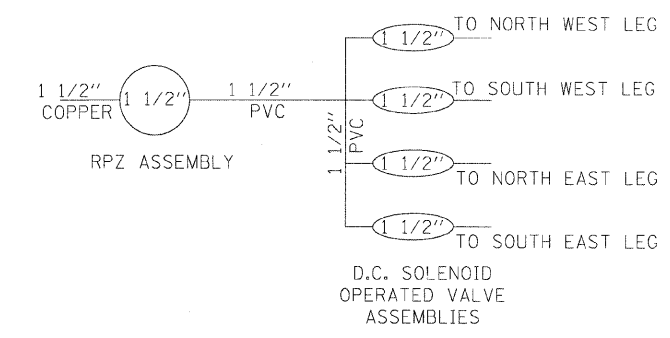
F.A.U. RTE.	SECTION	COUNTY	TOTAL SHEETS	SHEET NO.
7982		SANGAMON	68	59
STA.		TO STA.		
FED. ROAD DIST. NO.	ILLINOIS	FED. AID PROJECT		
• 09-00447-03-PV		CITY OF SPRINGFIELD		



LAYOUT DATE: 11/23/2009  
 DRAWN DATE: 10/23/07  
 REVIEWED DATE: 09/19/07  
 PLOT DATE: 11/23/2009  
 PLOT SCALE: 1/8" = 1'-0"  
 USER NAME: Hujan@09951

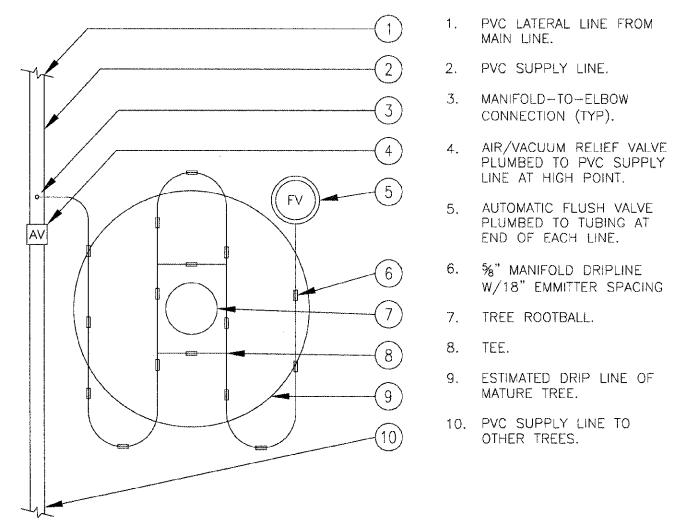


RAISED URN SUPPLY DETAIL



6TH STREET MANIFOLD DETAIL

- IRRIGATION KEY**
- W1 IRRIGATION BED 0.5 GPM EMITTER
  - W2 IRRIGATION BED 1.0 GPM EMITTER
  - W3 TWO WIRE DECODER CONTROLLER
  - W4 1 1/2" RPZ ASSEMBLY
  - W5 1" RPZ ASSEMBLY
  - W6 2 STATION DECODER
  - W7 4 STATION DECODER
  - W8 IRRIGATION BED CONNECTION TYP
  
  - W10 1 1/2" SCHEDULE 40 GLUE JOINT PIPE
  - W11 1" SCHEDULE 40 GLUE JOINT PIPE
  - W12 1 1/2" TYPE K COPPER
  - W13 1" TYPE K COPPER



TREE IRRIGATION DETAIL

REVISIONS	
NAME	DATE

ILLINOIS DEPARTMENT OF TRANSPORTATION

IRRIGATION DETAILS

FAU RTE 7982 CAPITOL AVE  
 SEC NO. 09-00447-03-PV  
 SANGAMON COUNTY, ILLINOIS

SCALE: VERT. DATE 10/9/09  
 HORIZ.  
 DRAWN BY LJB  
 CHECKED BY