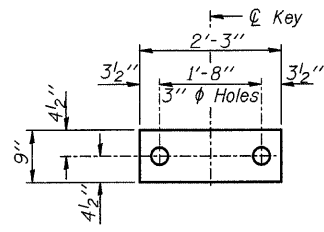
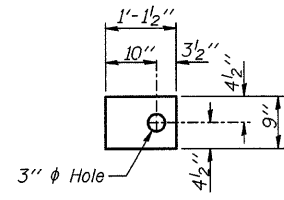


ROUTE NO.	SECTION	COUNTY	TOTAL SHEETS	SHEET NO.
FAS 549	*	MACON	52	24
FED. ROAD DIST. NO. 7		ILLINOIS	PROJECT	

*03-00184-00-BR



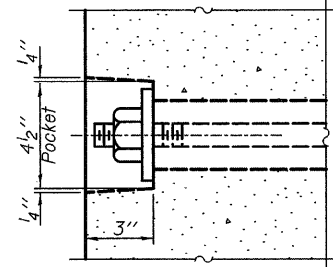
FABRIC BEARING PAD
(Interior)



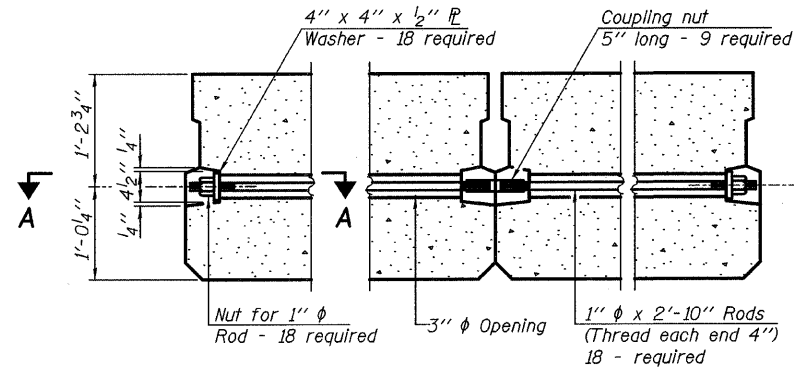
FABRIC BEARING PAD
(Exterior)

FIXED

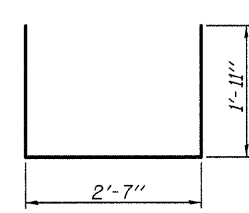
Note: Omit holes when using expansion bearings.



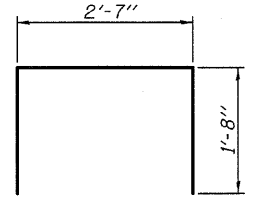
SECTION A-A



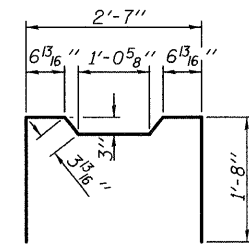
TYPICAL TRANSVERSE TIE ASSEMBLY



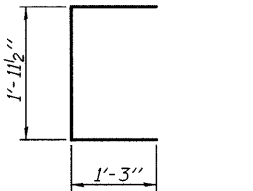
BAR S(E)



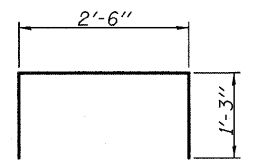
BAR S₁(E)



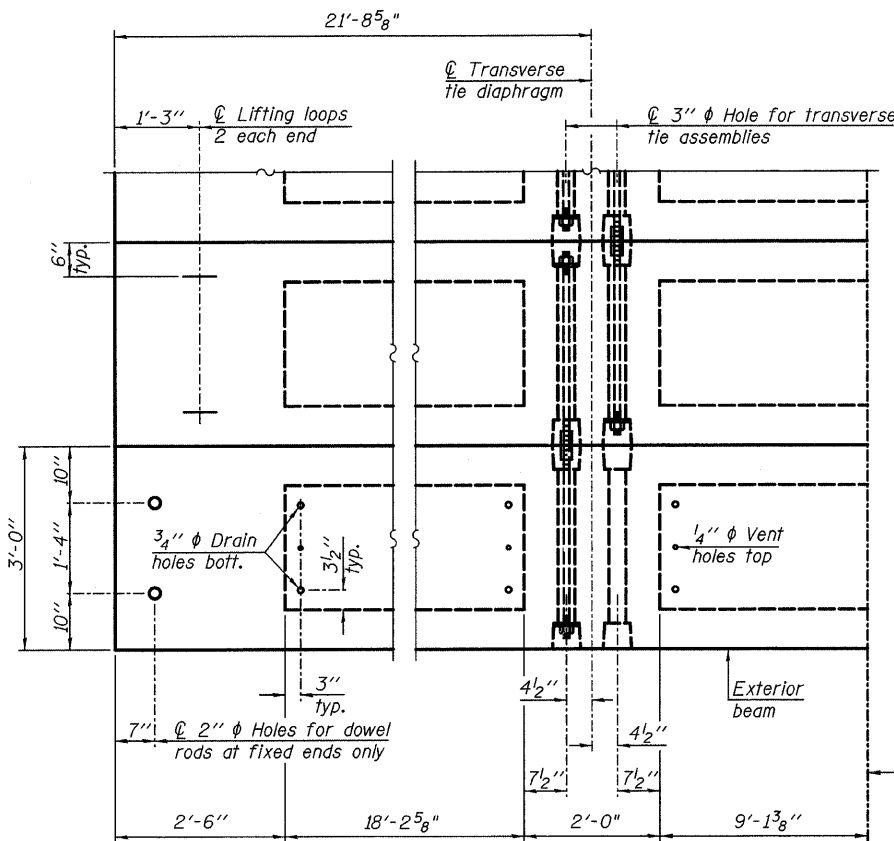
BAR S₂(E)



BAR U(E)

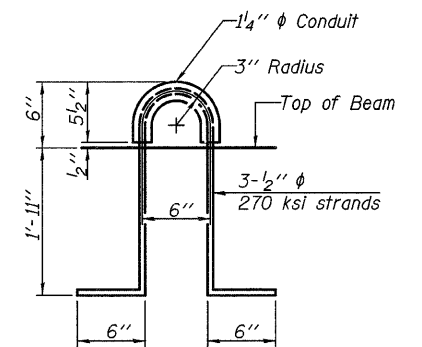


BAR U₁(E)



PLAN VIEW

Note: Connect beams in pairs with the transverse tie configuration shown.



LIFTING LOOP DETAIL

NOTES

- Prestressing steel shall be uncoated high strength, low relaxation 7-wire strand, Grade 270. The nominal diameter shall be 1/2" and the nominal cross-sectional area shall be 0.153 sq. in.
- The 1" rods in the transverse tie assembly shall be tightened to a snug fit and the threads set. Pockets on exterior faces of bridge shall be filled with grout after transverse tie assembly is in place.
- Reinforcement bars shall conform to ASTM A 706, Grade 60. (See Special Provisions).
- Two 3/8" fabric adjusting shims of the dimensions of the exterior bearing pad shall be provided for each bearing pad location.
- A minimum 2 1/2" lifting pin shall be used to engage the lifting loops during handling.
- Corrosion Inhibitor, per Article 1020.05(b)(12) and 1021.06 of the Standard Specifications, shall be used in the concrete for precast prestressed concrete deck beams.
- Compressive strength of prestressed concrete, f'c, shall be 6000 psi.
- Compressive strength of prestressed concrete at release, f'cl, shall be 5000 psi.
- The top surface of the beams shall be finished according to Article 504.06 of the Standard Specifications except that the surface shall not be roughened by brooming. The finished surface shall be free of depressions or high spots with sharp corners, and the top edge of keys shall be rounded or chamfered a minimum of 1/4".

BILL OF MATERIAL

Precast Prestressed Conc. Deck Bms. (27" depth)	Sq. Ft.	1910
---	---------	------

CH 20 OVER STEVENS CREEK

27" X 36" PPC DECK BEAM DETAILS

REVISIONS		CH 20	SECTION 03-00184-00-BR	DRAWN BY DATE
No.	DATE	INITIALS	SN 058-3371	R KING 6/09
1				
2				
3				
4				
5				
6				
7				
8				
9				
10				

MACON	COUNTY	DECATUR CHICAGO (817) 432-8544 (773) 714-0050	PROJECT No. 4901
HOMER L. CHASTAIN & ASSOCIATES, LLP CONSULTING ENGINEERS 154-001977		ROCKFORD (815) 489-0050	SHEET No.