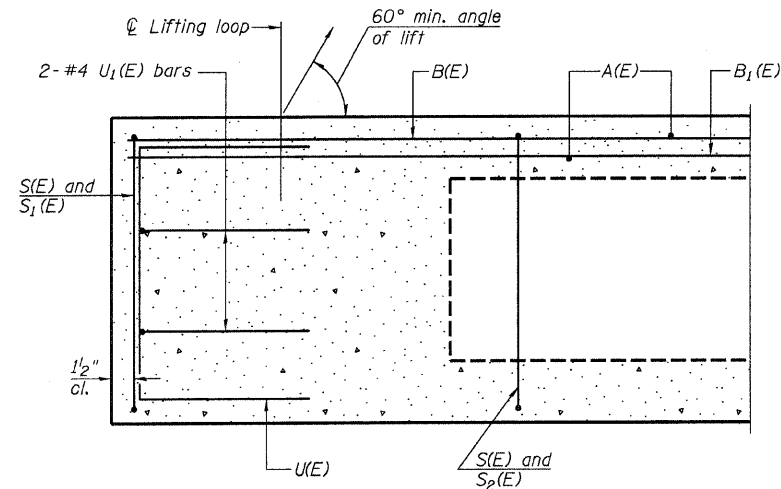
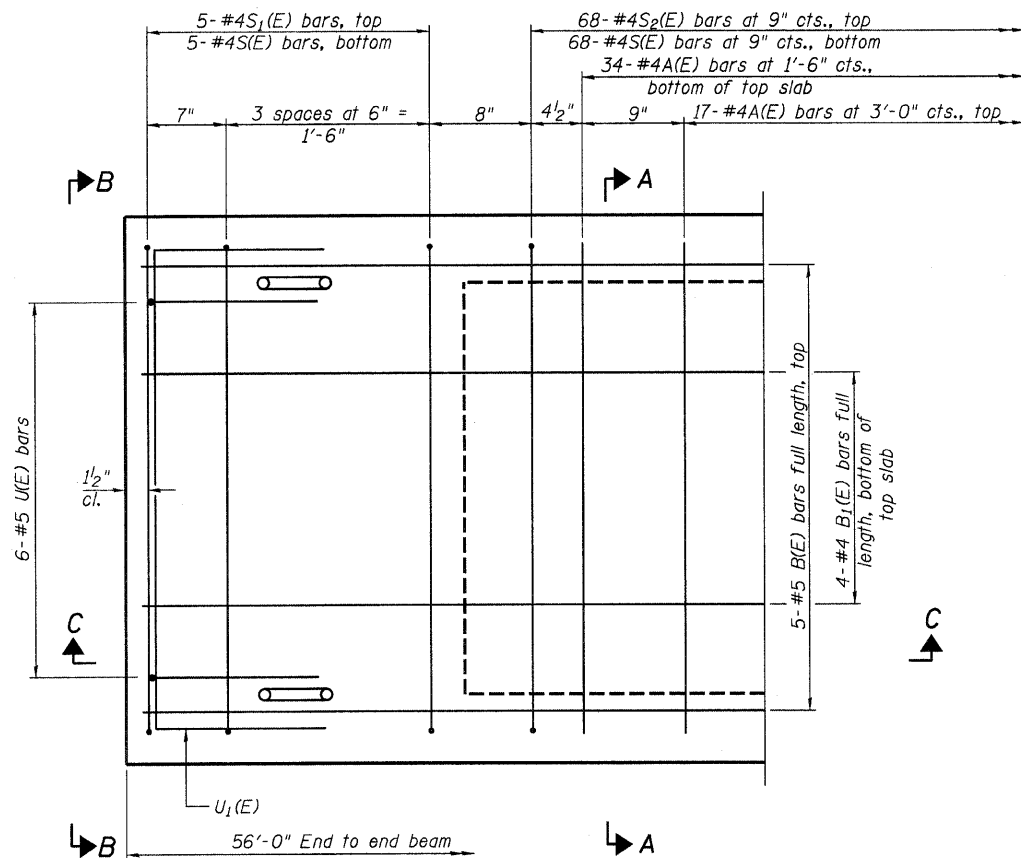


STATE OF ILLINOIS
DEPARTMENT OF TRANSPORTATION



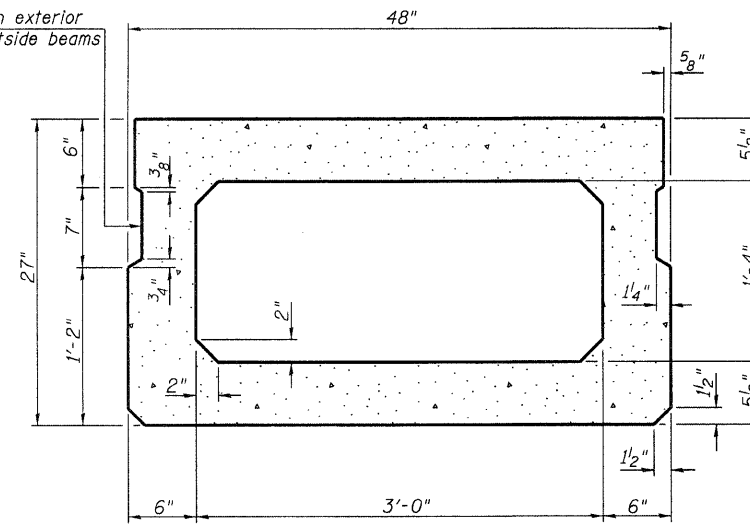
SECTION C-C



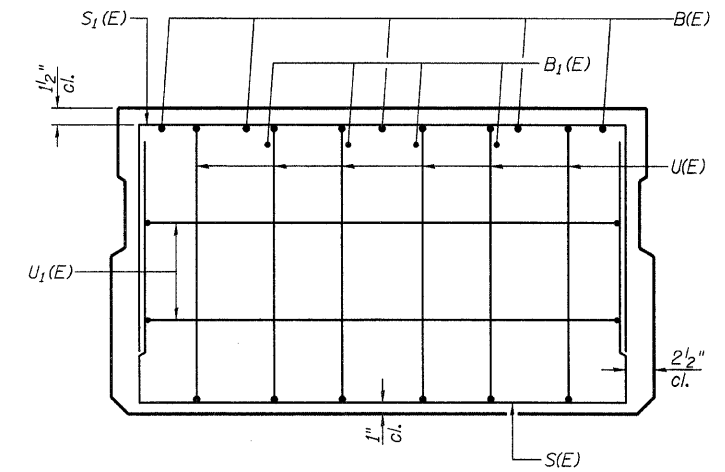
PLAN VIEW

Note: Spacing of S(E) and S₂(E) bars may be adjusted up to 4" in the immediate area of the transverse tie diaphragms to miss the block outs for the transverse ties.

Omit key on exterior face of outside beams

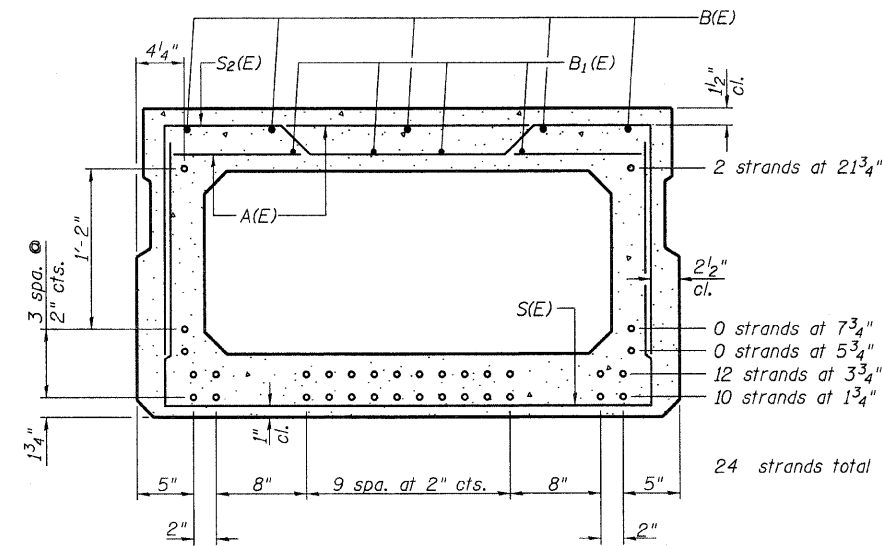


SECTION A-A
(Showing dimensions)



VIEW B-B

Symmetrical about \bar{C}



SECTION A-A

(Showing reinforcement and permissible strand locations)
Note: Place the number of strands specified in each row symmetrically about the centerline of beam in the permissible strand locations shown.

BAR LIST
ONE BEAM ONLY

(For information only)

Bar	No.	Size	Length	Shape
A(E)	51	#4	3'-7"	—
B(E)	10	#5	29'-8"	—
B ₁ (E)	12	#4	20'-6"	—
S(E)	78	#4	7'-5"	U
S ₁ (E)	10	#4	6'-11"	U
S ₂ (E)	68	#4	7'-2"	U
U(E)	12	#5	4'-6"	U
U ₁ (E)	4	#4	6'-0"	U

Note: See Sheet 6 of 14 for additional details and Bill of Material.

27" X 48" PPC DECK BEAM DETAILS
STRUCTURE NO. 013-3234

F.A.S. RTE.	SECTION	COUNTY	TOTAL SHEETS	SHEET NO.
801	09-00082-00-BR	CLAY	14	5
CONTRACT NO. 95613				
FED. ROAD DIST. NO. 7 ILLINOIS FED. AID PROJECT				

12/15/2009 RAAI #50609

PD-2748-0

10-1-08