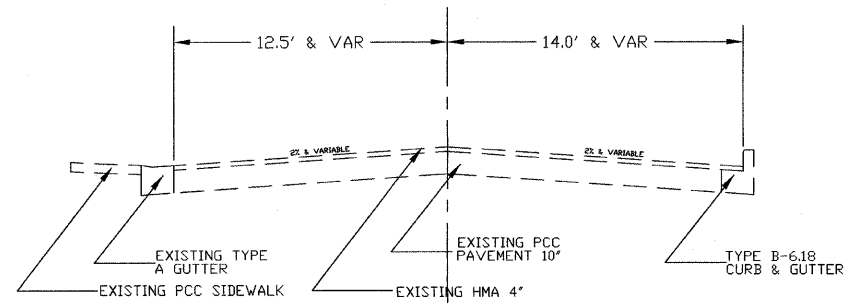


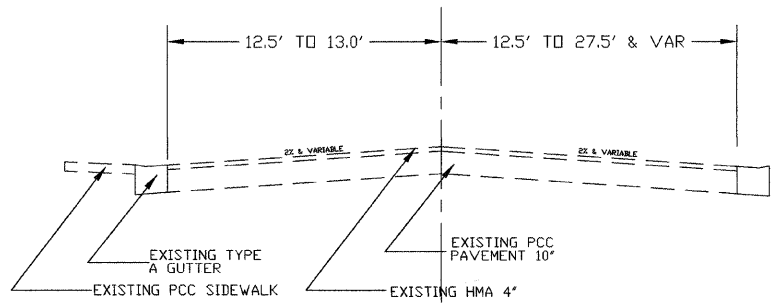
| SECTION | COUNTY | TOTAL SHEETS | SHEET NO. |
|----------------|--------|--------------|-----------|
| 09-00092-00-RS | COLES | 9 | 6 |

EXISTING AND PROPOSED TYPICAL CROSS SECTIONS

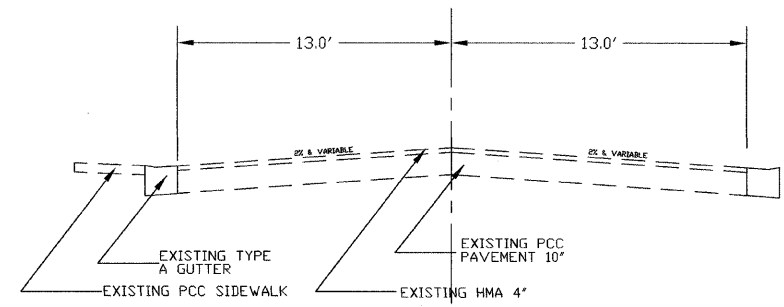
HARRISON AVENUE
EXISTING TYPICAL SECTION
STATION 12+60 TO 14+45



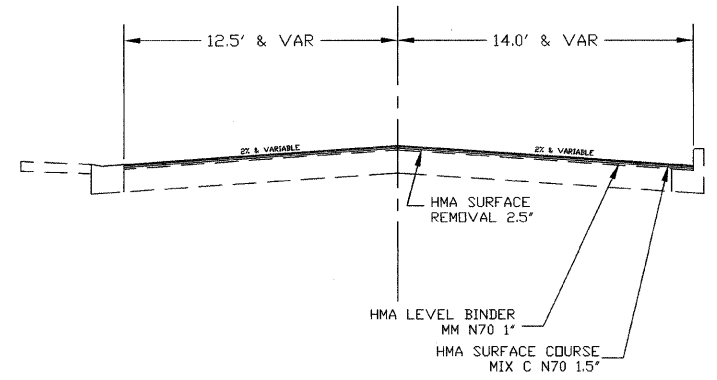
HARRISON AVENUE
EXISTING TYPICAL SECTION
STATION 14+45 TO 16+50



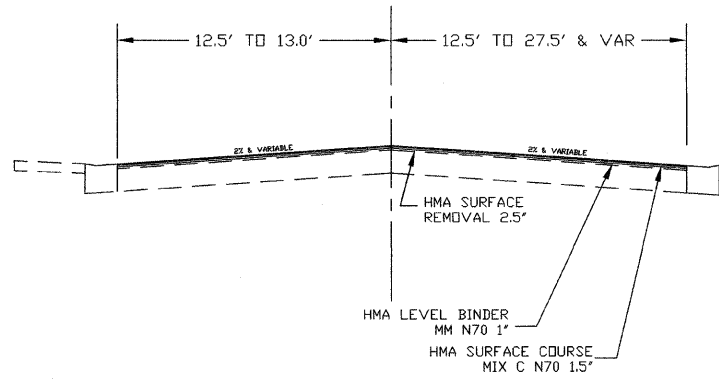
HARRISON AVENUE
EXISTING TYPICAL SECTION
STATION 16+50 TO 18+00



HARRISON AVENUE
PROPOSED TYPICAL SECTION
STATION 12+60 TO 14+45



HARRISON AVENUE
PROPOSED TYPICAL SECTION
STATION 14+45 TO 16+50



HARRISON AVENUE
PROPOSED TYPICAL SECTION
STATION 16+50 TO 18+00

