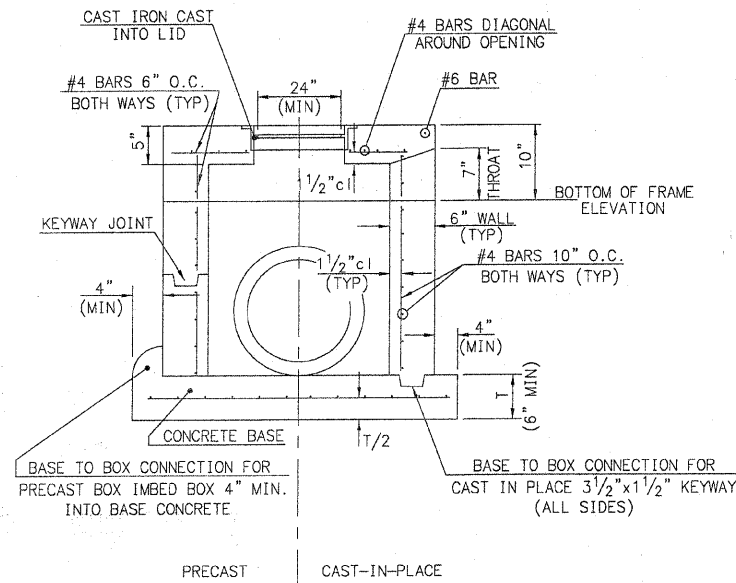
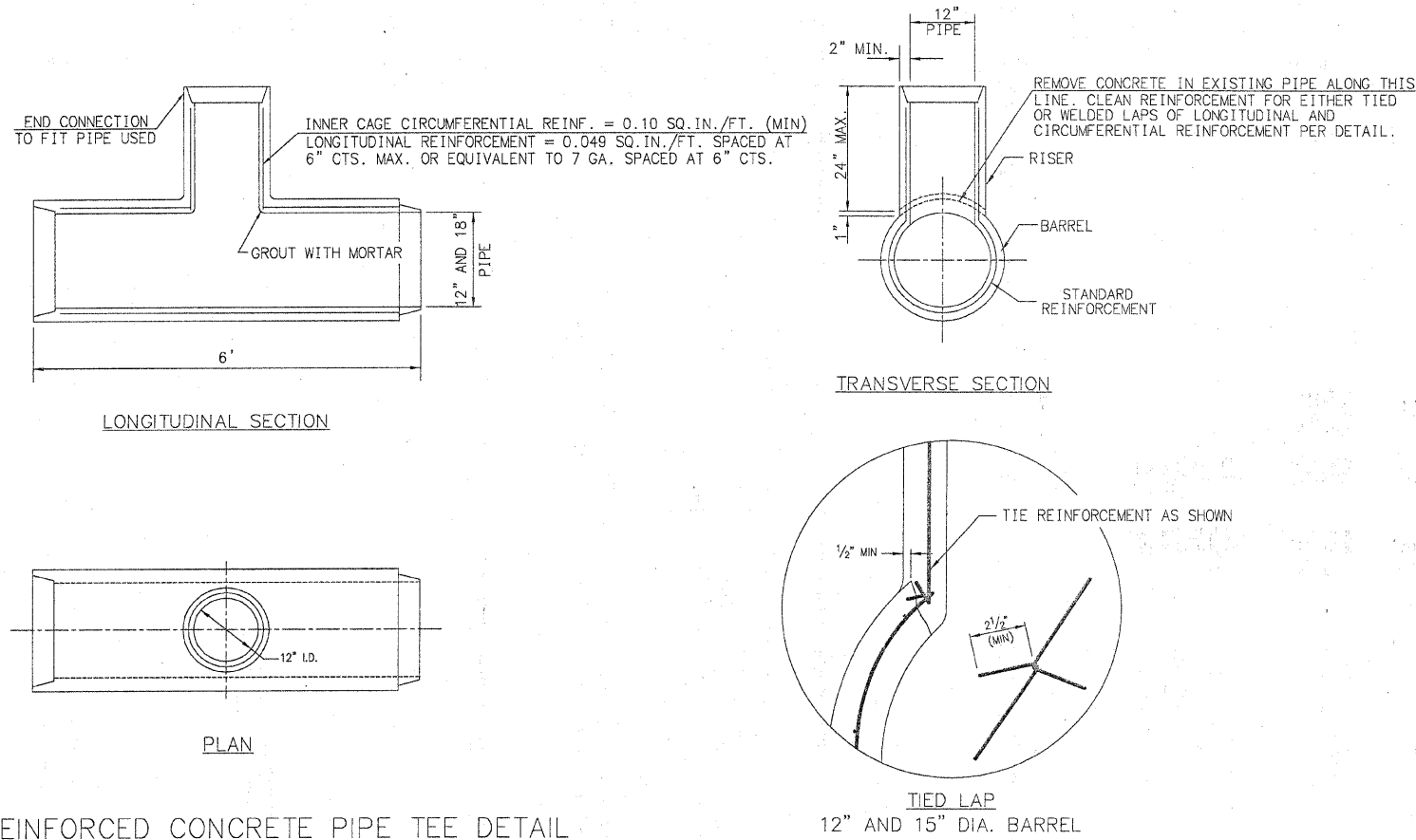


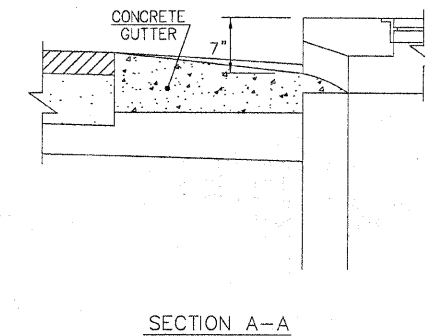
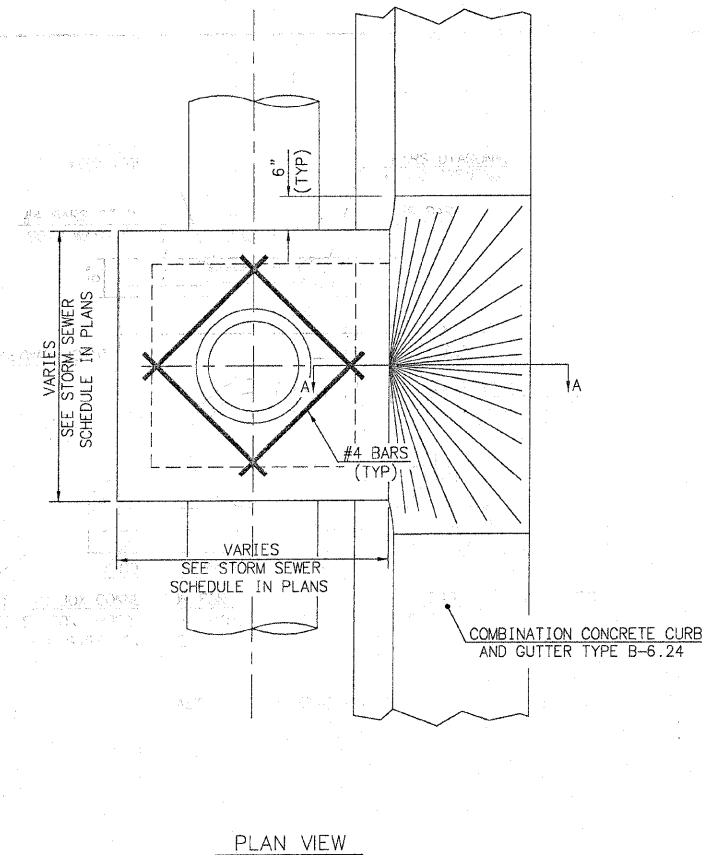
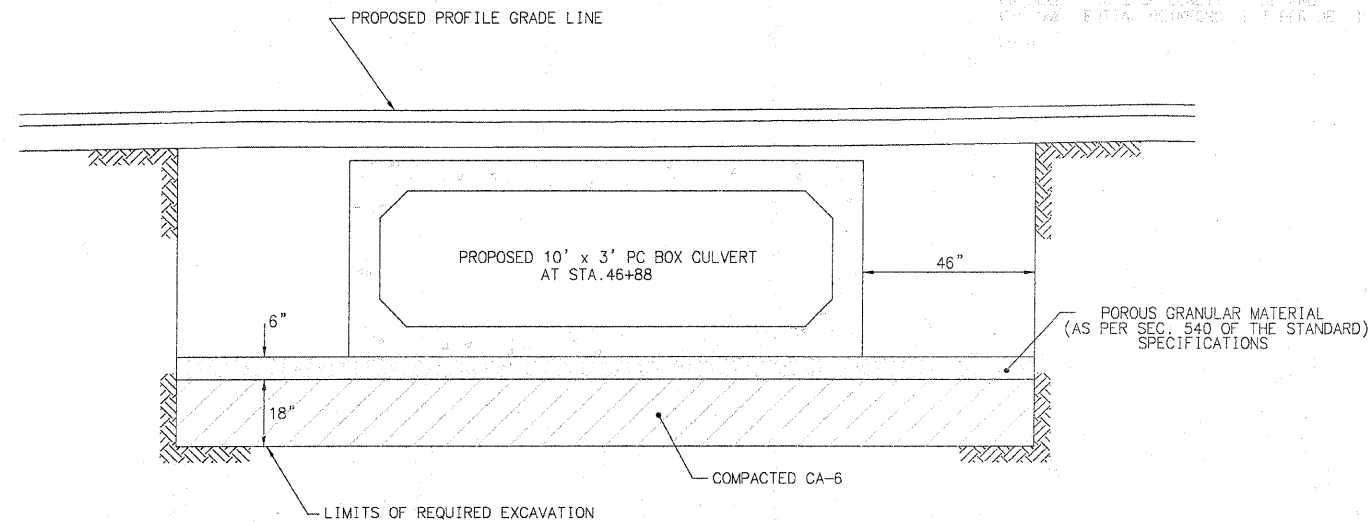
SECTION NO.	COUNTY HIGHWAY	COUNTY	SHEET OF SHEETS
06-0092-02-PV	22	ST. CLAIR	39 OF 63
FHWA REG. NO. 7	ILLINOIS	ARA-5011 (297)	
FEDERAL AID PROJECT	CONTRACT # 97415		

PIPE TEE / CULVERT OVER-EXCAVATION / INLETS, SPECIAL DETAILS

NOTE: THE CAST IRON GRATES SHALL MEET THE FOLLOWING SPECIFICATIONS:
 MATERIAL: GRAY CAST IRON MEETING ASTM A-48, CLASS 35B
 TRAFFIC LOADS: HEAVY
 FINISH: NO PAINT
 FURNISH WITH MACHINED HORIZONTAL BEARING SURFACE.



REINFORCED CONCRETE PIPE TEE DETAIL



OVEREXCAVATION DETAIL FOR PROPOSED CULVERT AT STA. 46+88

INLETS, SPECIAL DETAIL N.T.S.

PLOT DATE: 11.24.2009

	INITIALS	DATE
DESIGNED	R GEORGEN	MAY 2008
CHECKED	T HOLDENER	DEC 2008
DRAWN	R GEORGEN	JULY 2008
CHECKED	T HOLDENER	DEC 2008
PREPARED BY ST. CLAIR COUNTY HIGHWAY DEPARTMENT		

FILE NAME: 00092-02-PV Detail Pipe Tee.dwg