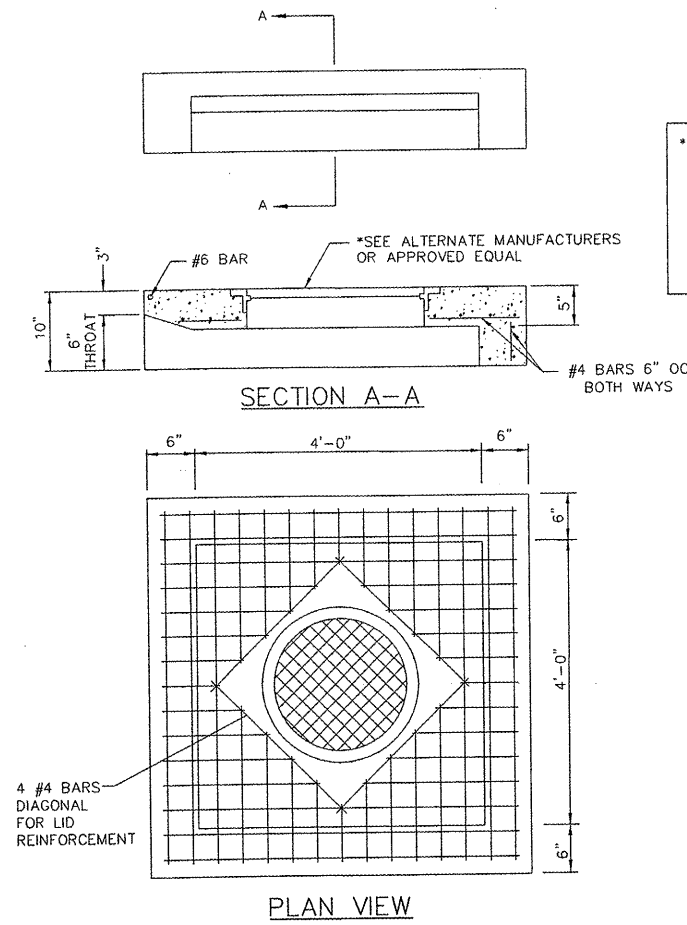
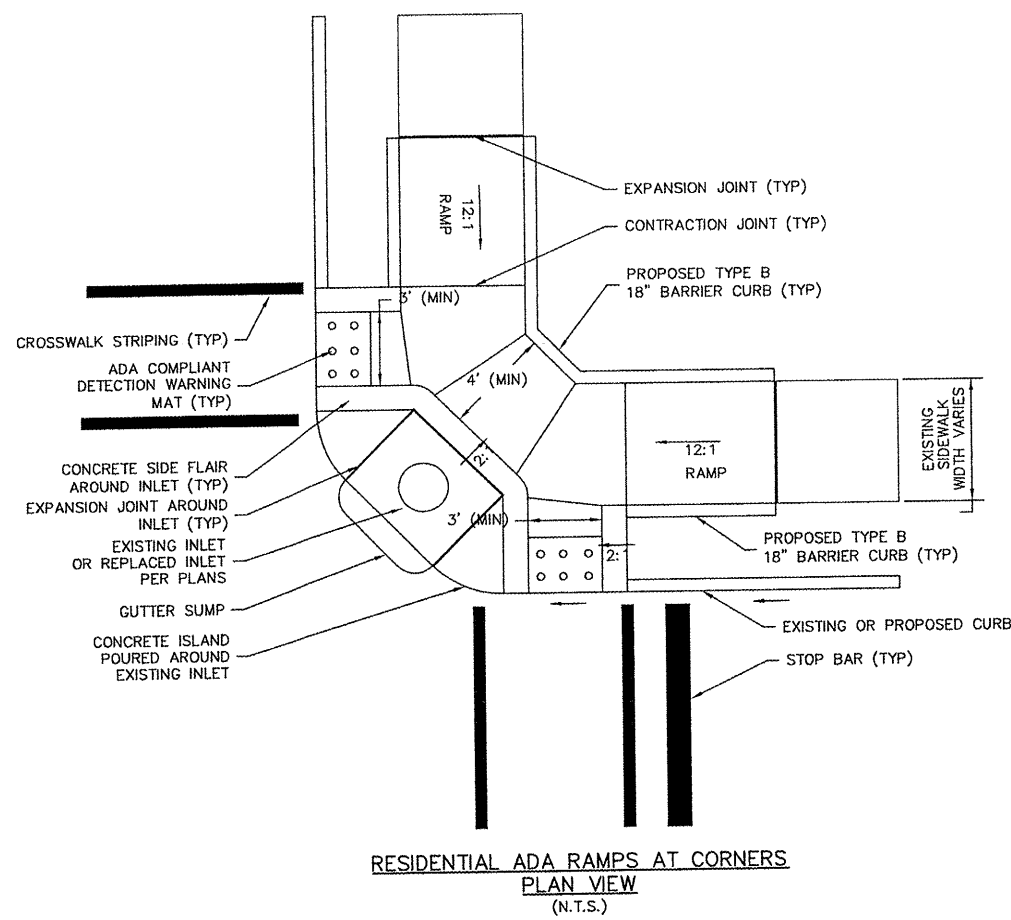
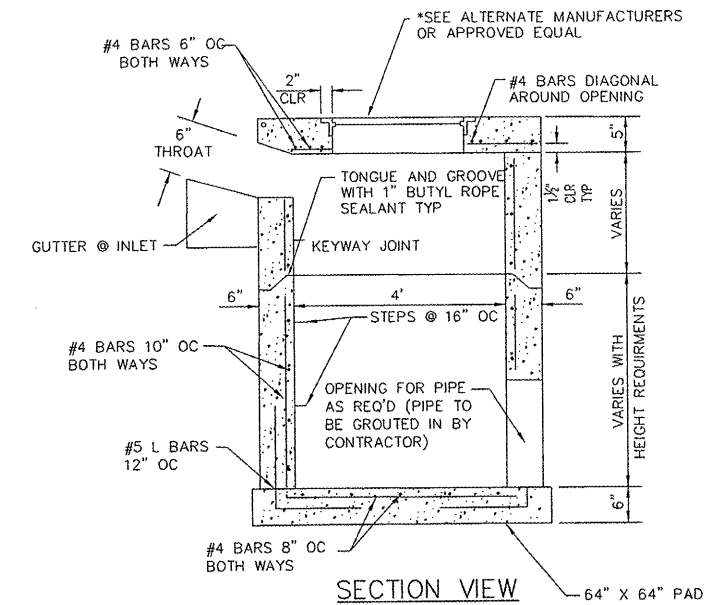


| | |
|---------------------|------|
| PLAN | DATE |
| SURVEYED | BY |
| PLOTTED | |
| CHECKED | |
| NO. OF WAYS CHECKED | |
| NOTE BOOK NO. | |
| CADD FILE NAME | |

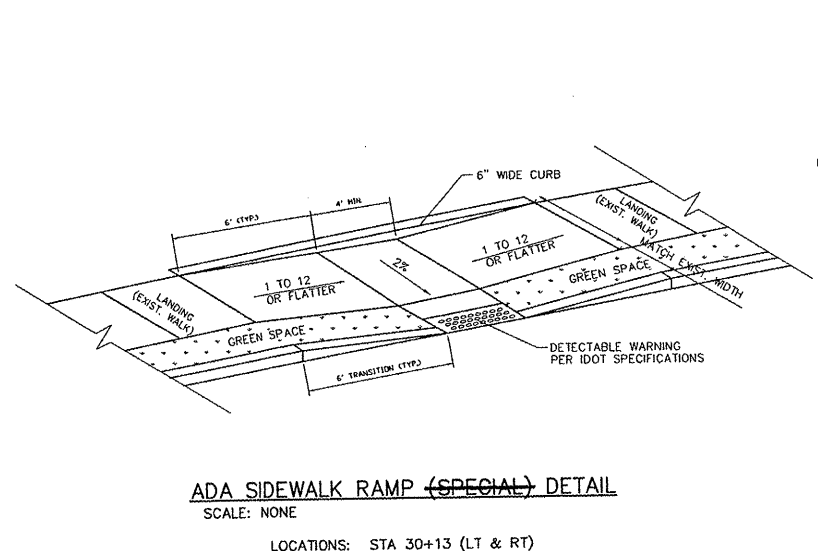
| | |
|---------------------|------|
| PROFILE | DATE |
| SURVEYED | BY |
| PLOTTED | |
| CHECKED | |
| B.M. NOTED | |
| GRADES CHECKED | |
| NO. OF WAYS CHECKED | |
| NOTE BOOK NO. | |
| STRUCTURE NOTATION | |



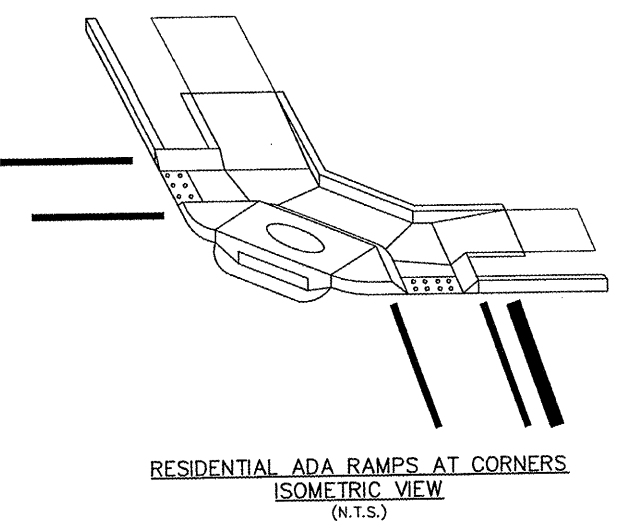
- * ALTERNATE MANUFACTURERS
- 1. NEENAH R 1737 CAST IRON (CAST INTO LID)
- 2. EAST JORDAN IRON WORKS MODEL 1154 FRAME & COVER
- 3. ALHAMBRA FOUNTAIN MODEL A-1425 FRAME & COVER



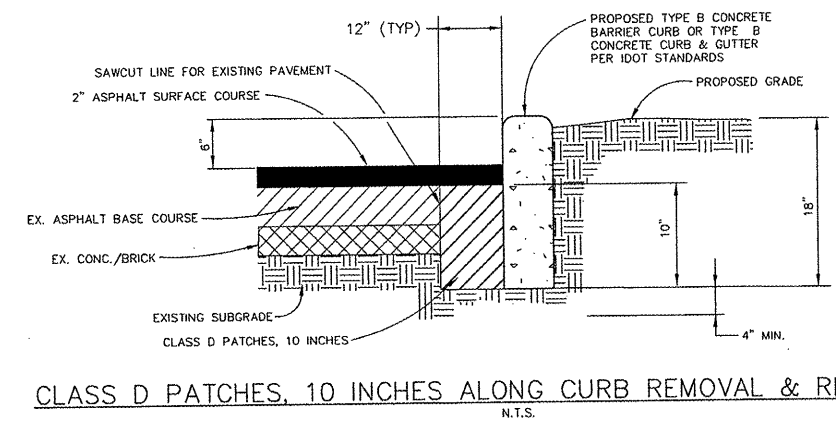
INLET SPECIAL (OR APPROVED EQUAL) NOT TO SCALE



ADA SIDEWALK RAMP (SPECIAL) DETAIL SCALE: NONE LOCATIONS: STA 30+13 (LT & RT)

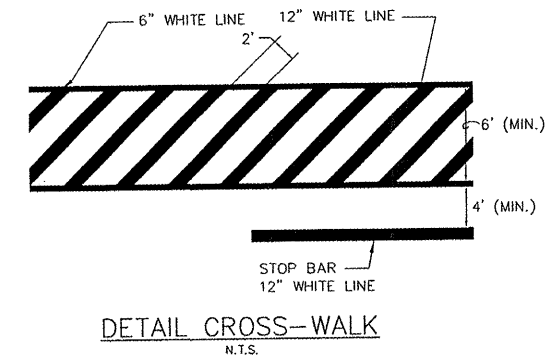


RESIDENTIAL ADA RAMP AT CORNERS ISOMETRIC VIEW (N.T.S.)



CLASS D PATCHES, 10 INCHES ALONG CURB REMOVAL & REPLACEMENT N.T.S.

NOTE: ANY ADDITIONAL EMBANKMENT AND/OR EXISTING SUBGRADE COMPACTION TO BE INCLUDED IN THE COST OF THE PROPOSED TYPE B CONCRETE BARRIER CURB OR TYPE B CONCRETE CURB AND GUTTER PER IDOT STANDARDS.



DETAIL CROSS-WALK N.T.S.

| | | | | | | | | | | |
|-----------------------|------------------------|----------------|-----------|--|-----------------------|---|---------------------------|--------------------------|--------------------|--------------|
| FILE NAME = \$FILEL\$ | USER NAME = \$USER\$ | DESIGNED - GAC | REVISED - | CITY OF EAST SAINT LOUIS 17TH STREET REUSURFACING | MISCELLANEOUS DETAILS | F.A.P. RTE. 9223 | SECTION 09-00219-00-RS | COUNTY ST. CLAIR | TOTAL SHEETS 14 | SHEET NO. 14 |
| | PLOT SCALE = \$SCALE\$ | CHECKED - MRA | REVISED - | | | SCALE: 1"=20' | SHEET NO. 13 OF 14 SHEETS | STA. _____ TO STA. _____ | CONTRACT NO. 97424 | |
| PLOT DATE = \$DATE\$ | DATE - 12/2009 | REVISED - | REVISED - | | | FED. ROAD DIST. NO. - ILLINOIS FED. AID PROJECT | | | | |