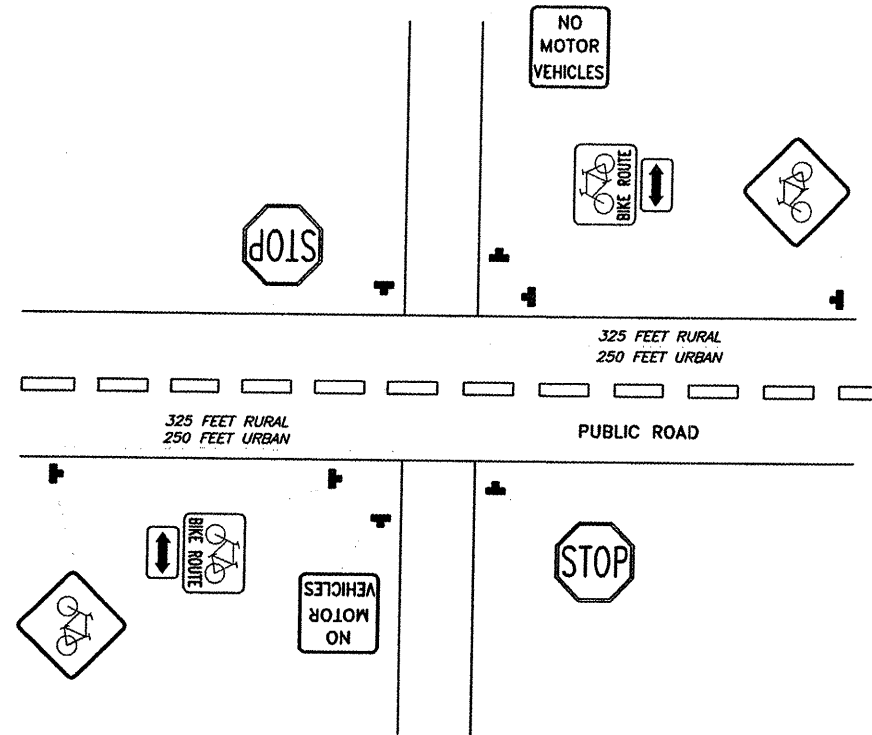
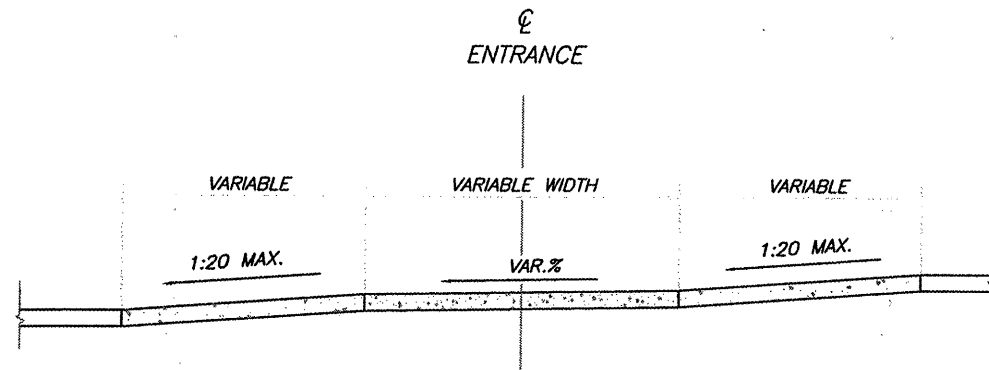


Note: Sign to be same style as M1-8. Letters to be 4" tall, Number to be 6" tall. White legend and border on green background.

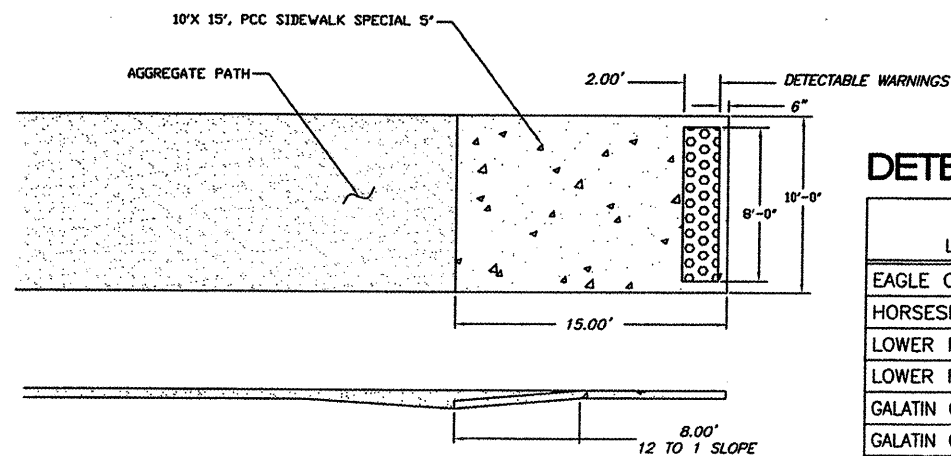
TYPICAL MILEPOST SIGN DETAIL
NO SCALE



TYPICAL SIGNING OF BICYCLE TRAIL
NO SCALE

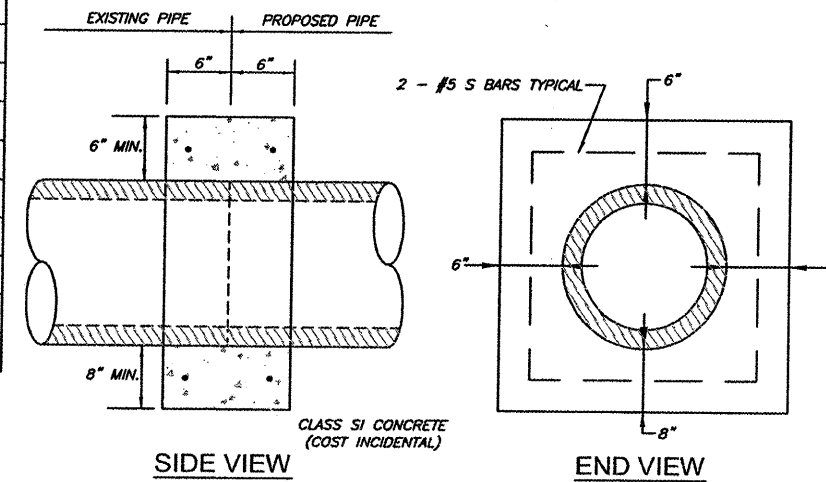


TYPICAL BIKE PATH PROFILE AT PRIVATE OR FARM ENTRANCE
NO SCALE



DETECTABLE WARNING DETAIL
NO SCALE

PIPE DIA.	CLASS SI CONCRETE CU. YD. (EST.)
12"	0.16
15"	0.19
18"	0.21
24"	0.29
30"	0.37
36"	0.44
42"	0.53
48"	0.62
54"	0.71



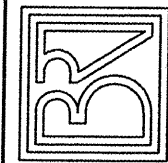
- NOTES:
- ALL CONCRETE SHALL BE PAID FOR AT THE UNIT PRICE FOR CONCRETE STRUCTURES. CLASS SI CONCRETE SHALL BE USED THROUGHOUT.
 - ALL REINFORCEMENT FOR CONCRETE COLLARS SHALL BE INCLUDED IN THE UNIT PRICE PER CUBIC YARD FOR CONCRETE COLLARS.

CONCRETE COLLAR DETAILS

DETECTABLE WARNINGS SCHEDULE

LOCATION	NAME	QUANTITY SQ. FT.
EAGLE CREEK ROAD	DETECTABLE WARNINGS	16
HORSESHOE ROAD	DETECTABLE WARNINGS	32
LOWER ROAD	DETECTABLE WARNINGS	16
LOWER ROAD	DETECTABLE WARNINGS	16
GALATIN COUNTY HWY 7	DETECTABLE WARNINGS	16
GALATIN COUNTY HWY 7	DETECTABLE WARNINGS	16
PROJECT TOTAL		112

BROWN AND ROBERTS, INC.
CONSULTING ENGINEERS & LAND SURVEYORS
1 WEST RIDGE ROAD HARRISBURG, IL. 62946 (618) 252-8111



S.V.C.D.
ILLINOIS TRANSPORTATION ENHANCEMENT PROGRAM
TYPICAL DETAILS

Drawn By: MDC	Checked By: MWR
Revisions	
Item	Date By
Scale: AS SHOWN	Field Bk: 04-096
Job Number: 04-096	Date: 05/07

Sheet