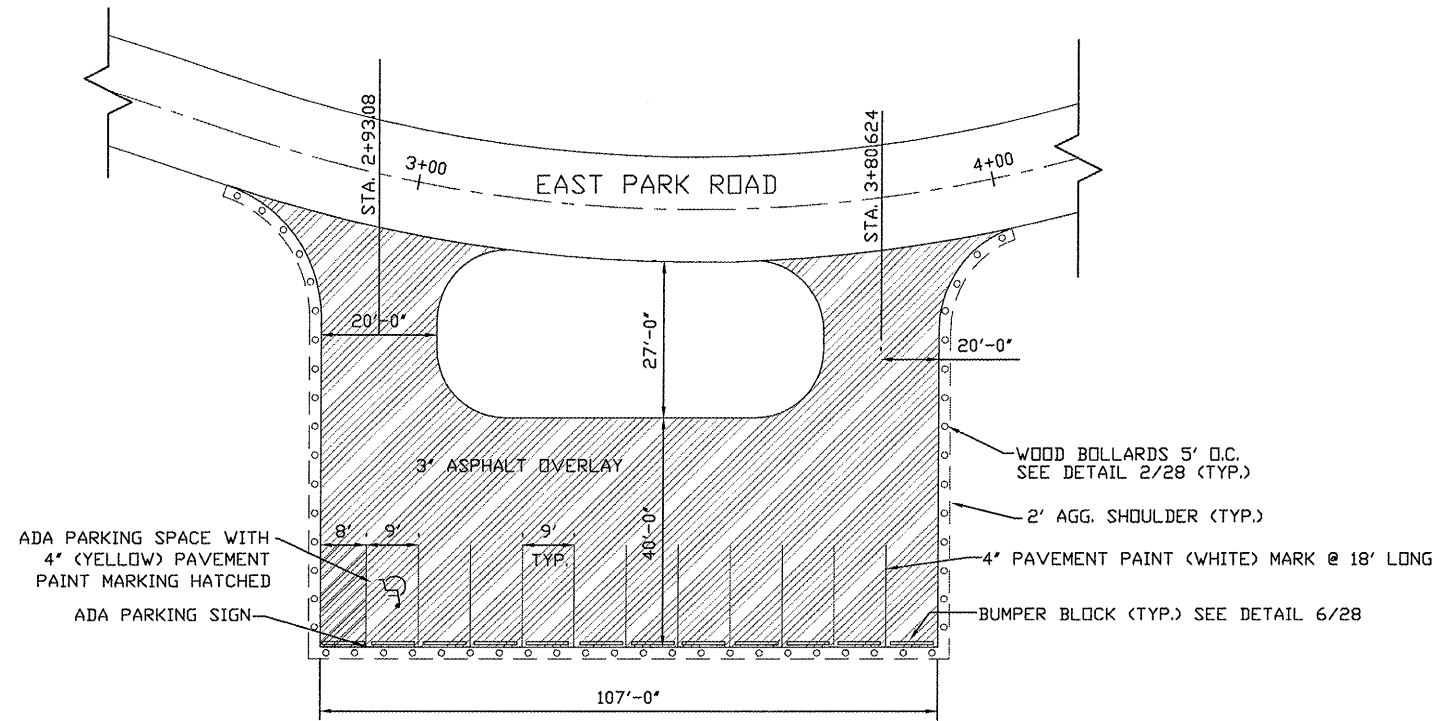
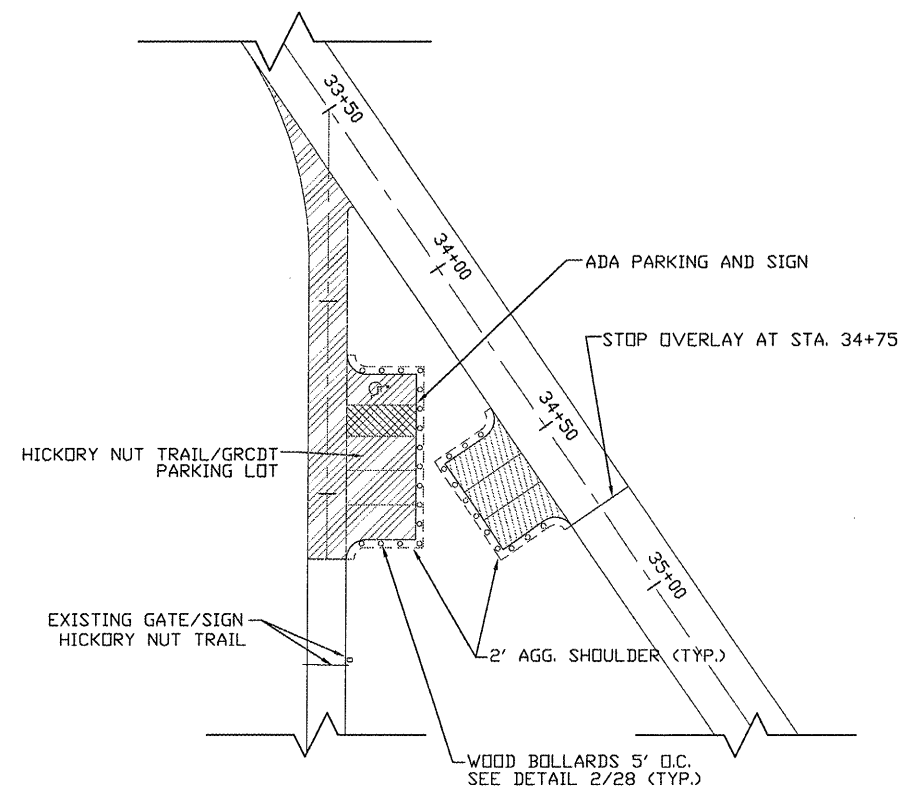


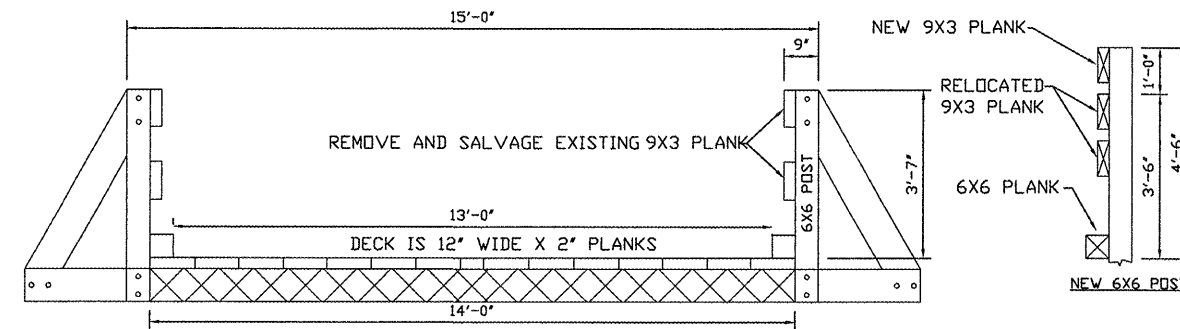
ROUTE	SECTION	COUNTY	TOTAL SHEETS	SHEET NO.
GRCDT	09-00038-00-BT	MASSAC	55	29
FROM STA.		TO STA.		
FEDERAL PROJECT NO. ARA-5045(009)		CONTRACT NO. 99417		



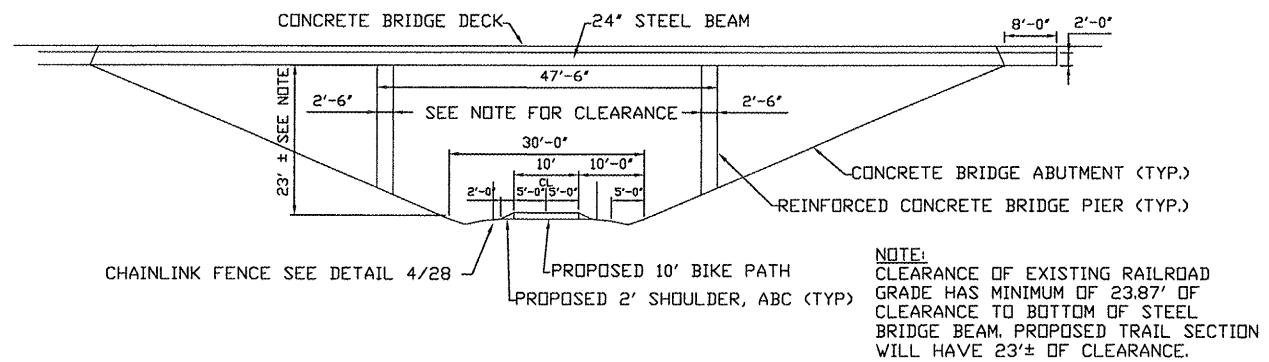
1 DETAIL EAST PARK ROAD PARKING LOT RESURFACING
SCALE: N.T.S.



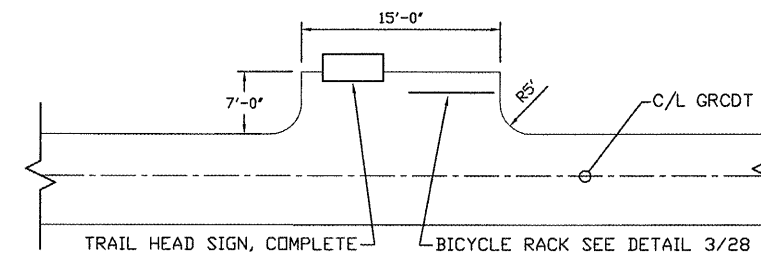
2 DETAIL HICKORY NUT TRAIL PARKING LOT
SCALE: N.T.S.



3 DETAIL-WOODEN GUARDRAIL REPAIR FOR EXISTING BRIDGE OVER MASSAC CREEK
SCALE: N.T.S.



4 DETAIL TRAIL UNDER EXISTING I-24 OVERPASS
SCALE: N.T.S.



- NOTE:
- CONSTRUCTION OF A SMALL CONCRETE SURFACED BIKE TRAIL INTERPRETIVE TURN-OUT AT THE SIGN LOCATIONS TO BE DETERMINED IN THE FIELD BY THE ENGINEER, WITH INPUT FROM I.D.N.R.
 - A BICYCLE RACK WILL BE CONSTRUCTED AT THE LOCATION OF THE INTERPRETIVE TURN-OUT AS SHOWN IN THE DETAIL.

5 DETAIL PAVED INTERPRETIVE TURN-OUT
SCALE: N.T.S. (TWO LOCATIONS ALONG TRAIL)