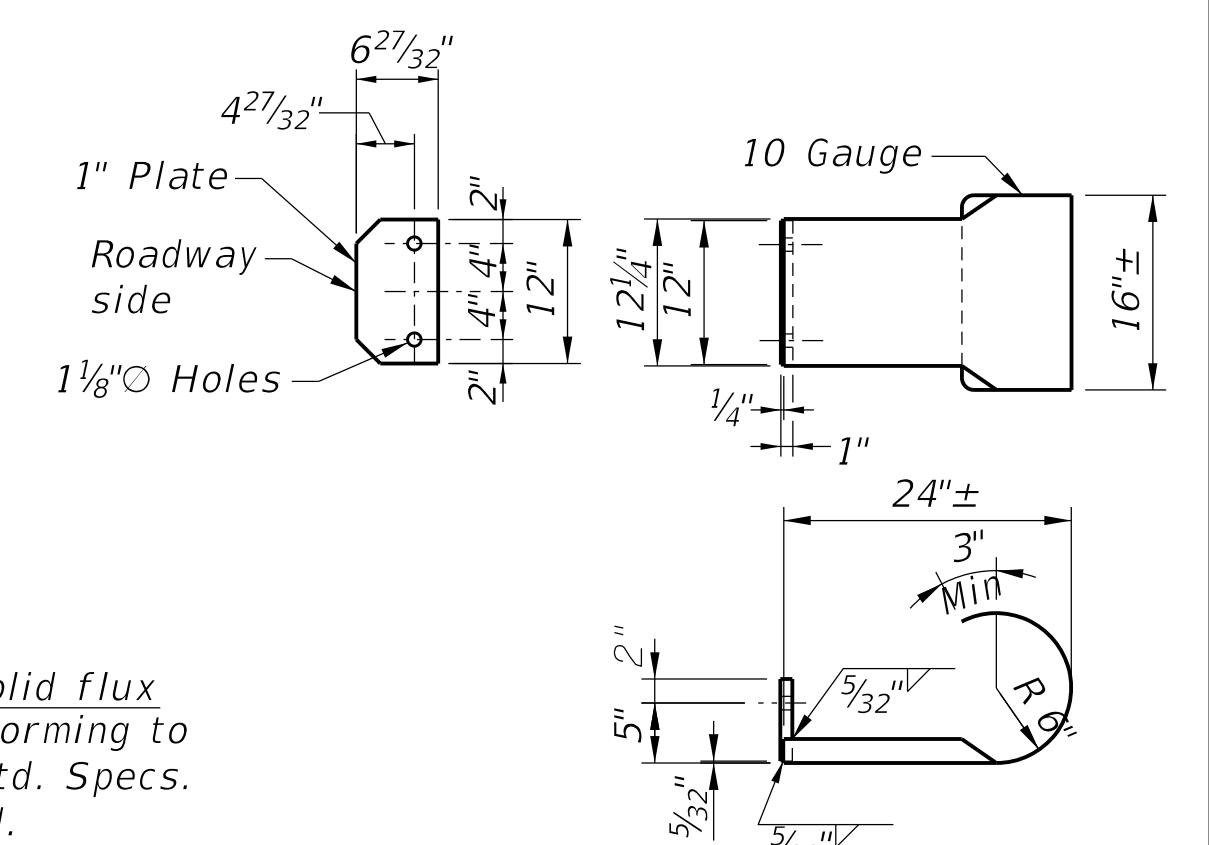
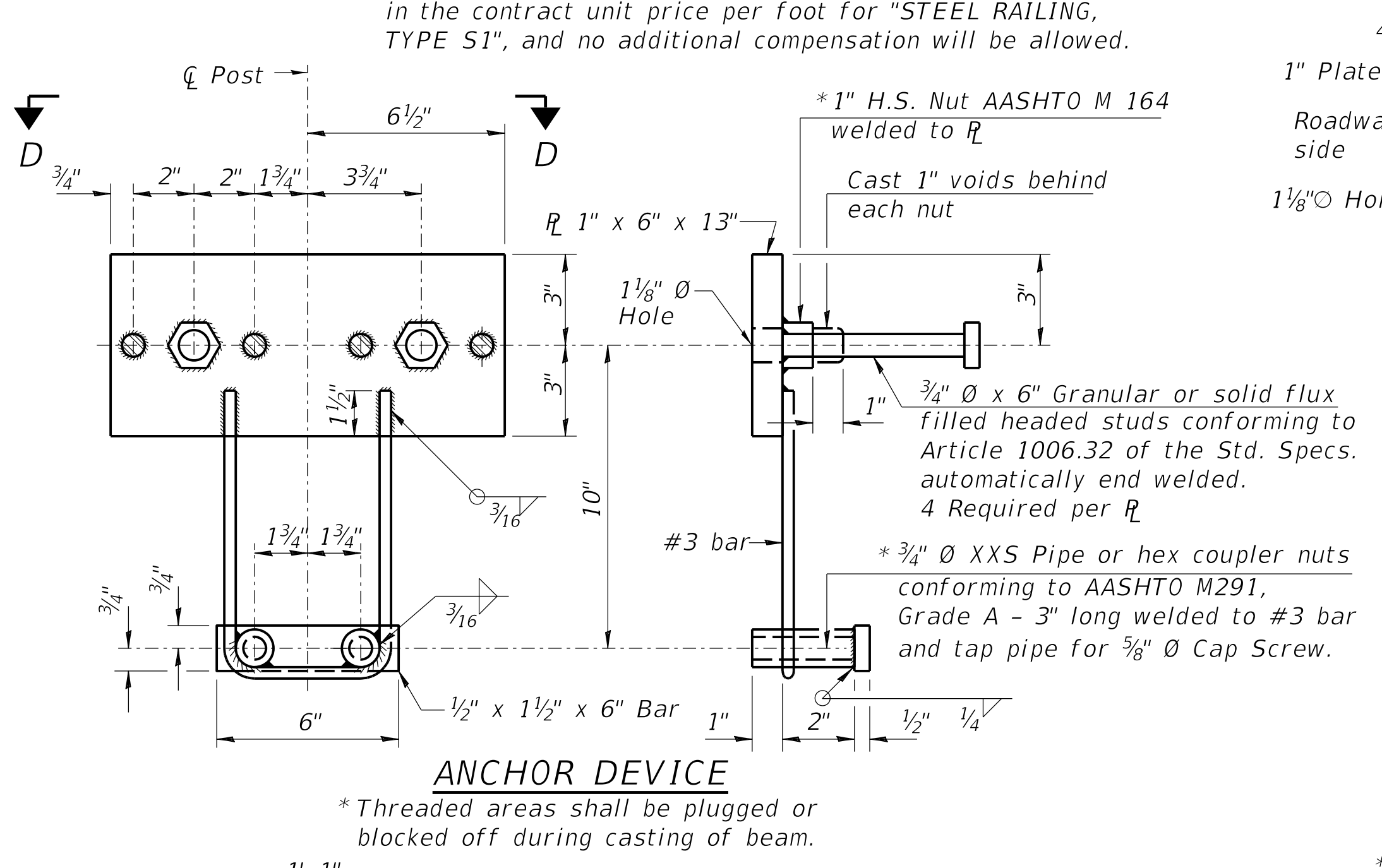
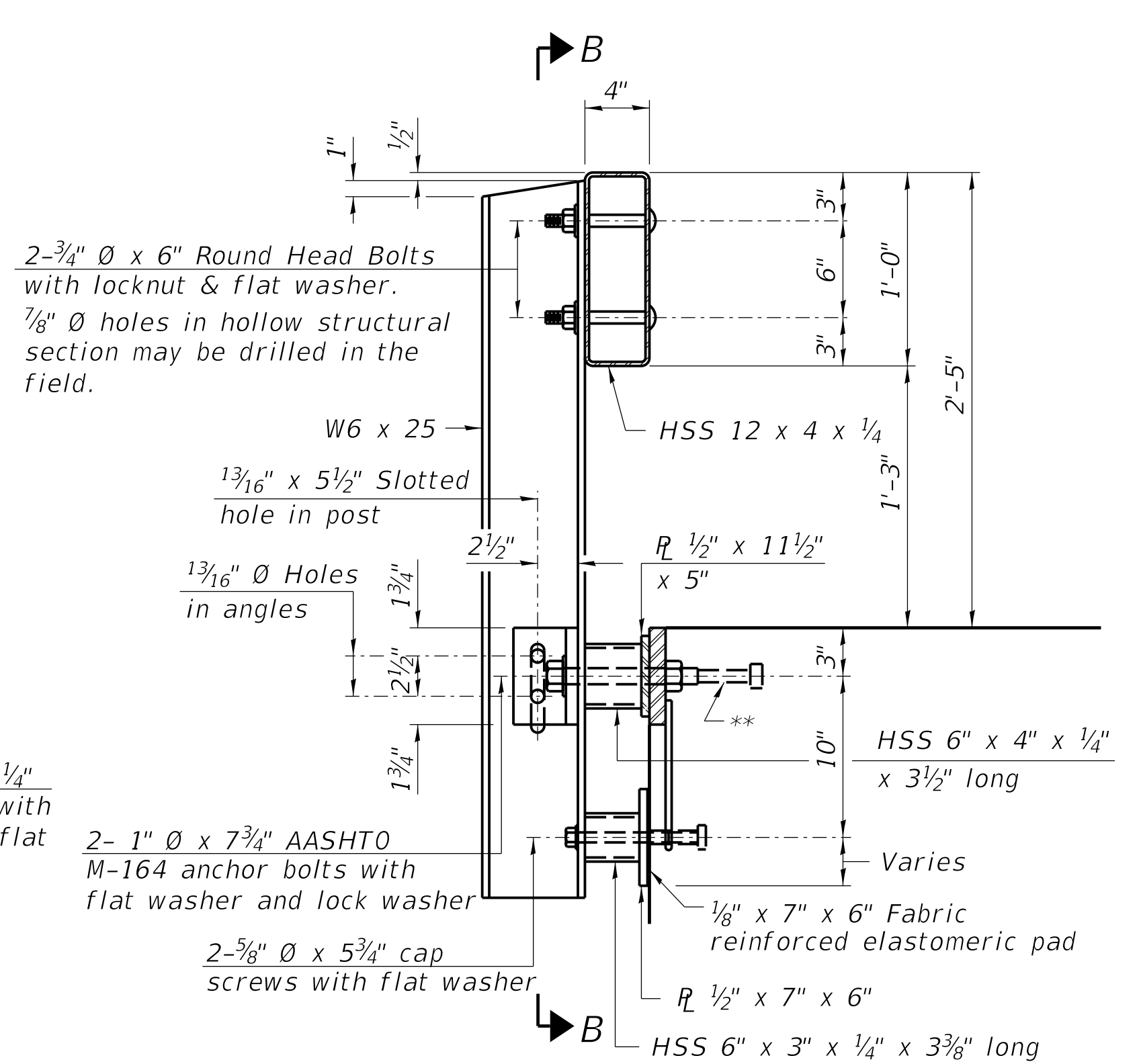
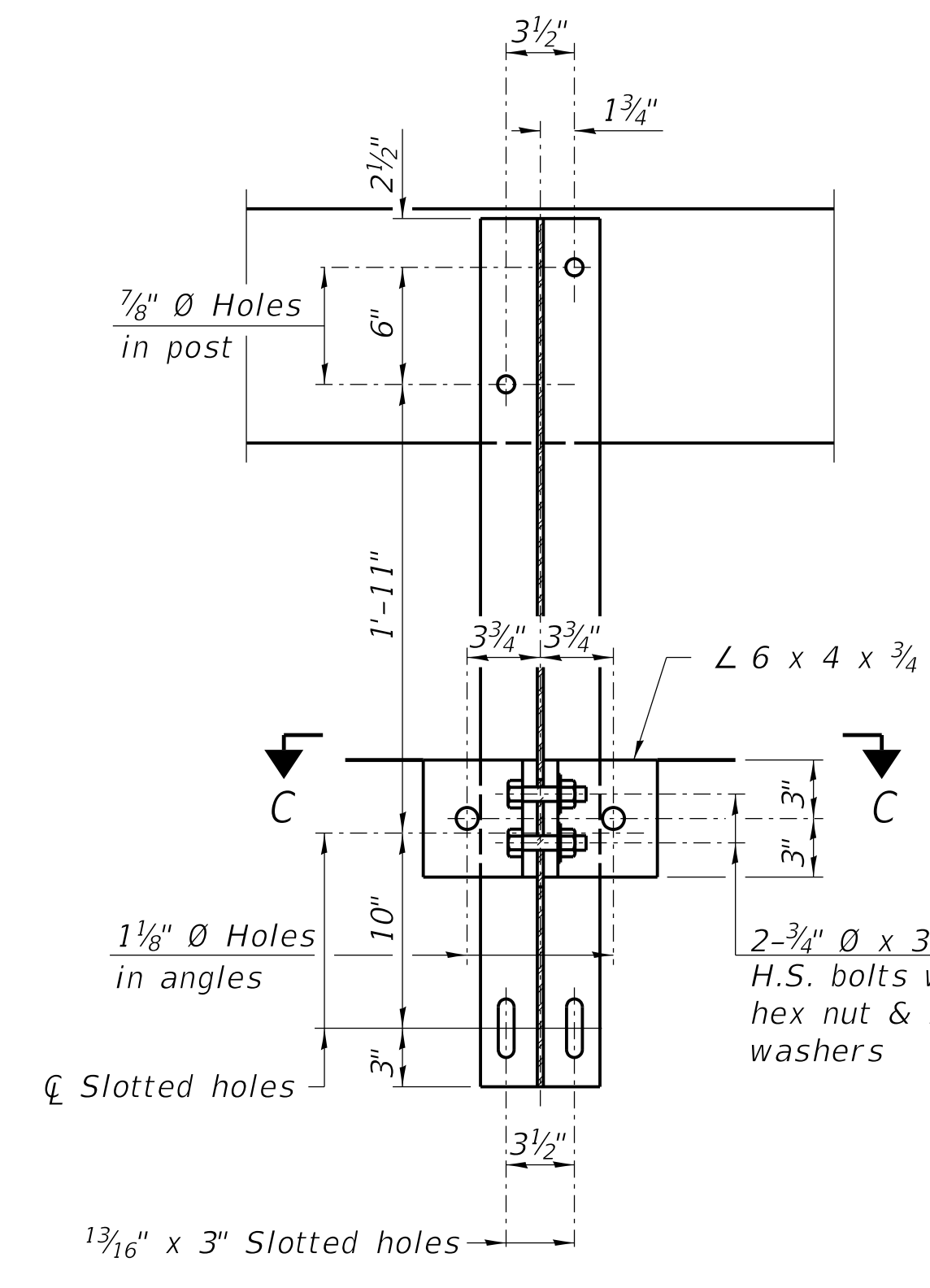


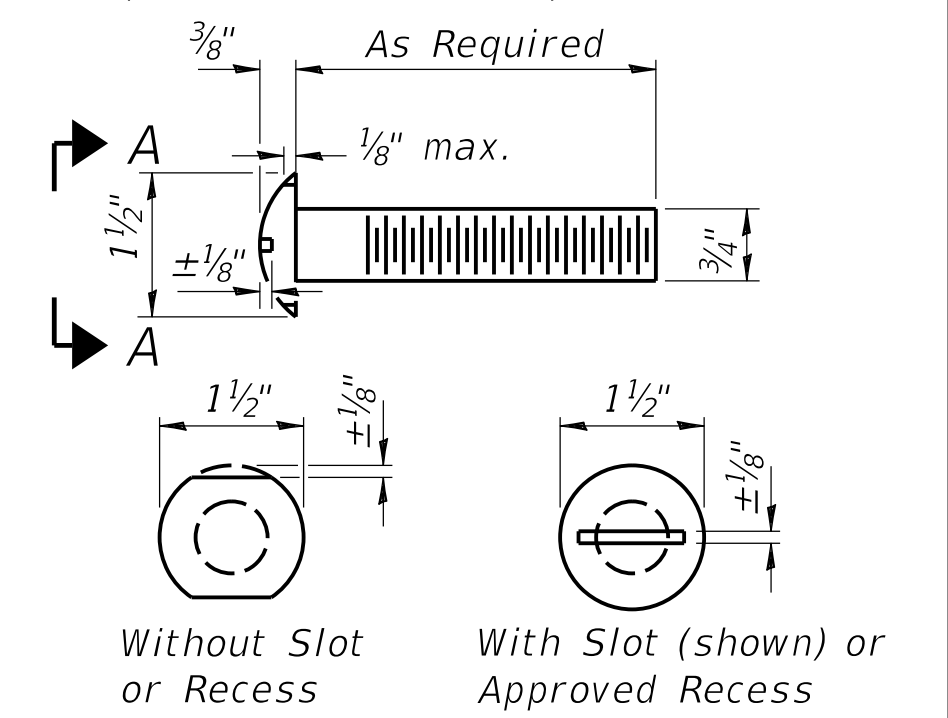
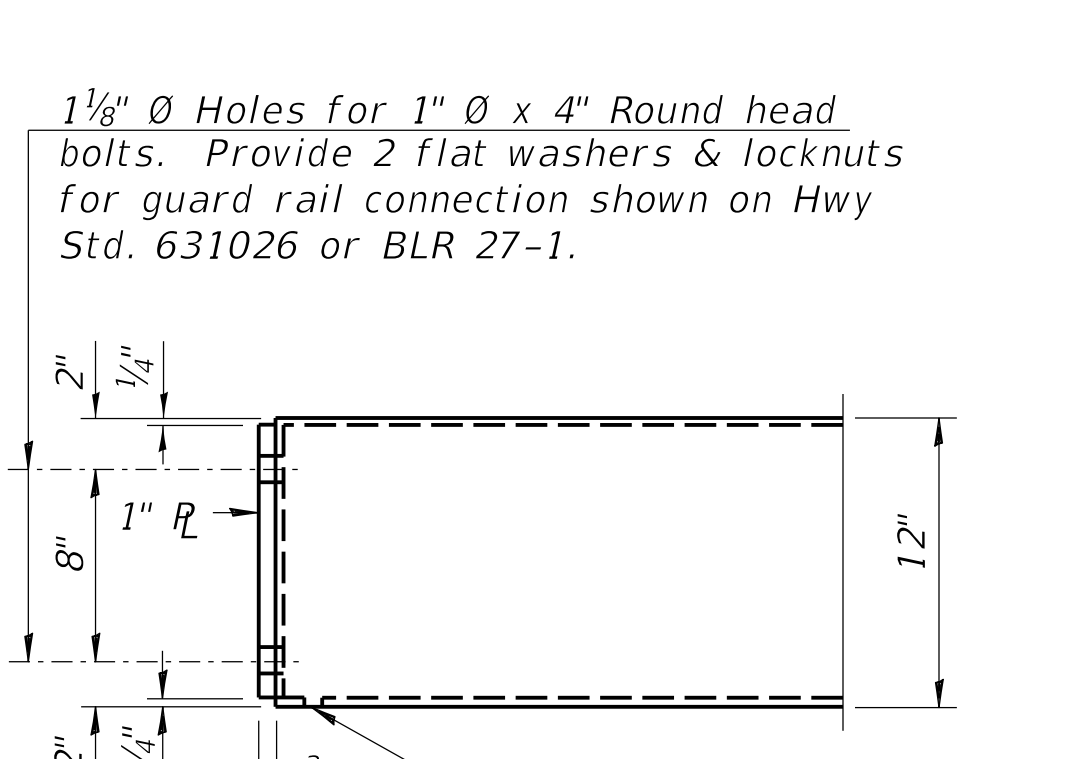
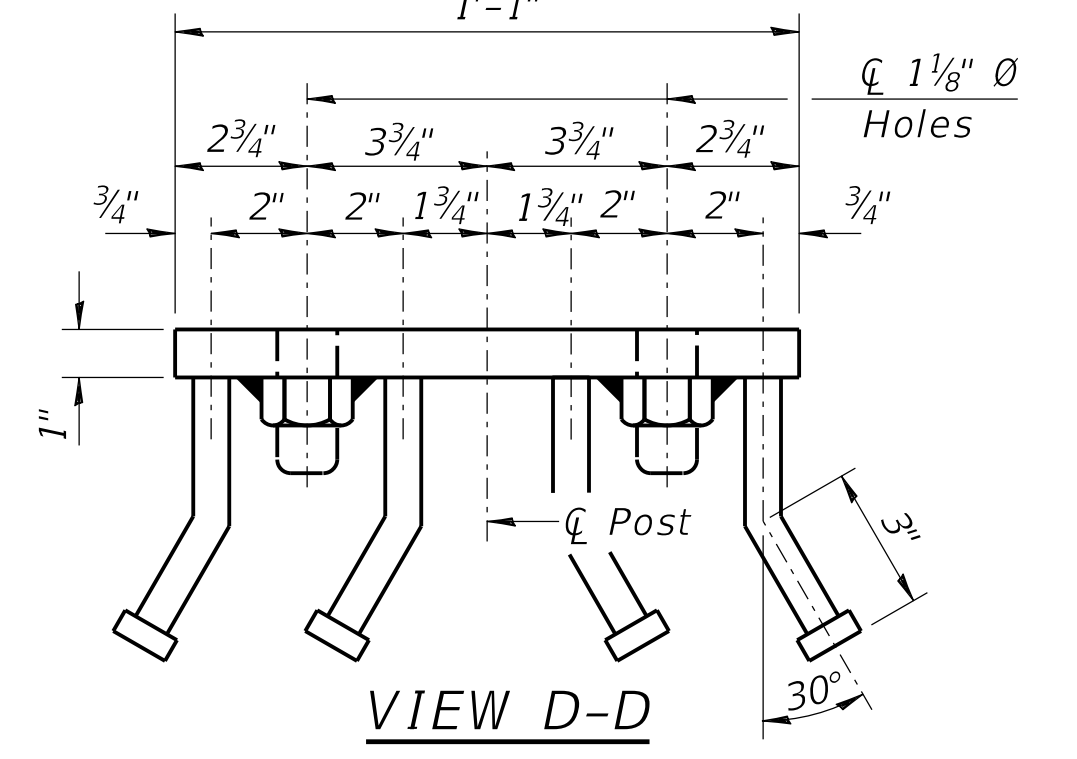
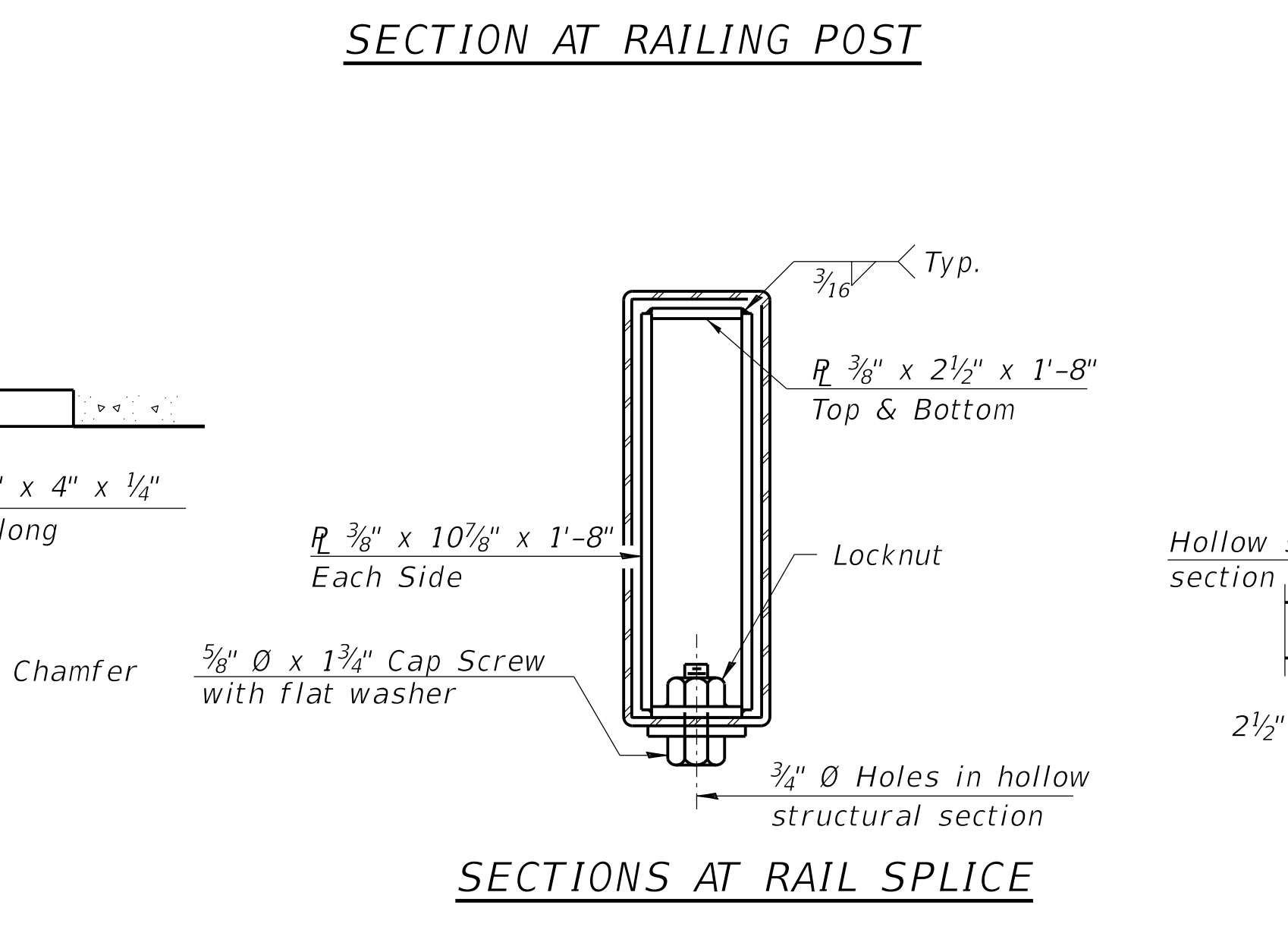
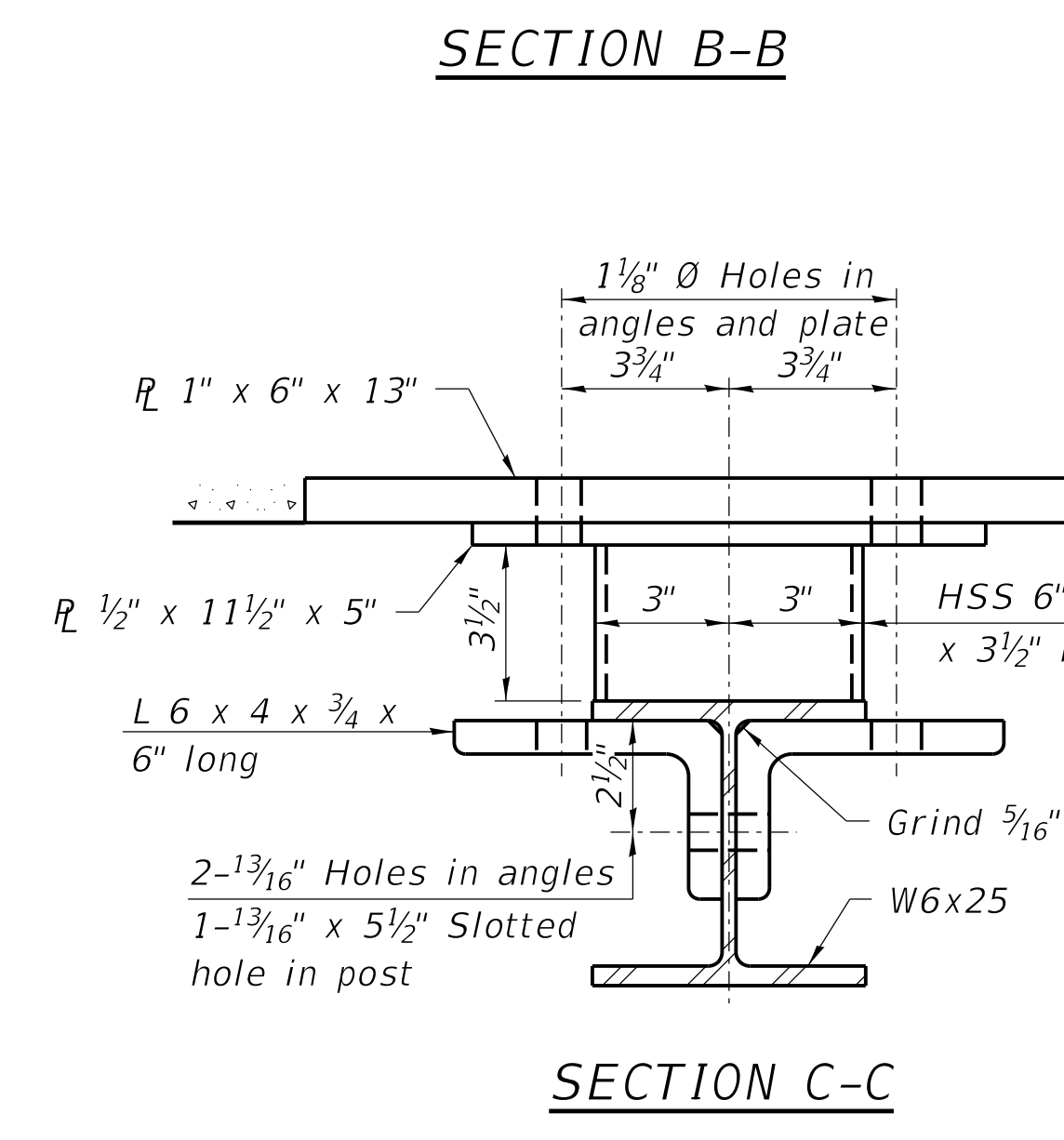
Note: The cost of the Curled End Sections shall be included in the contract unit price per foot for "STEEL RAILING, TYPE S1", and no additional compensation will be allowed.



Notes: All field drilled holes shall be coated with an approved zinc rich paint before erection.

All steel rail elements shall be galvanized according to Article 509.05 of the Standard Specifications.

**The studs of the anchor devices shall be placed below the top reinforcement bars and the outermost longitudinal reinforcement bar shall be placed directly above the studs of the rail post anchor device. The anchorage studs may be bent down 1/2" to accommodate the top reinforcement bar placement.



BILL OF MATERIAL

Item	Unit	Quantity
Steel Railing, Type S1	Foot	134