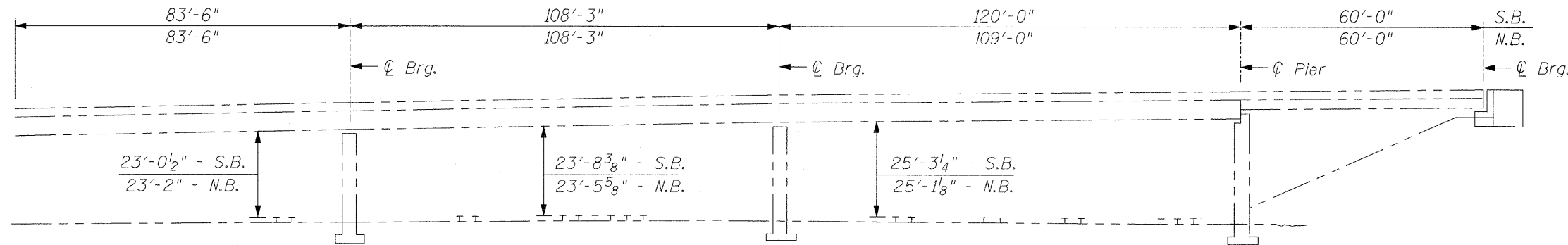
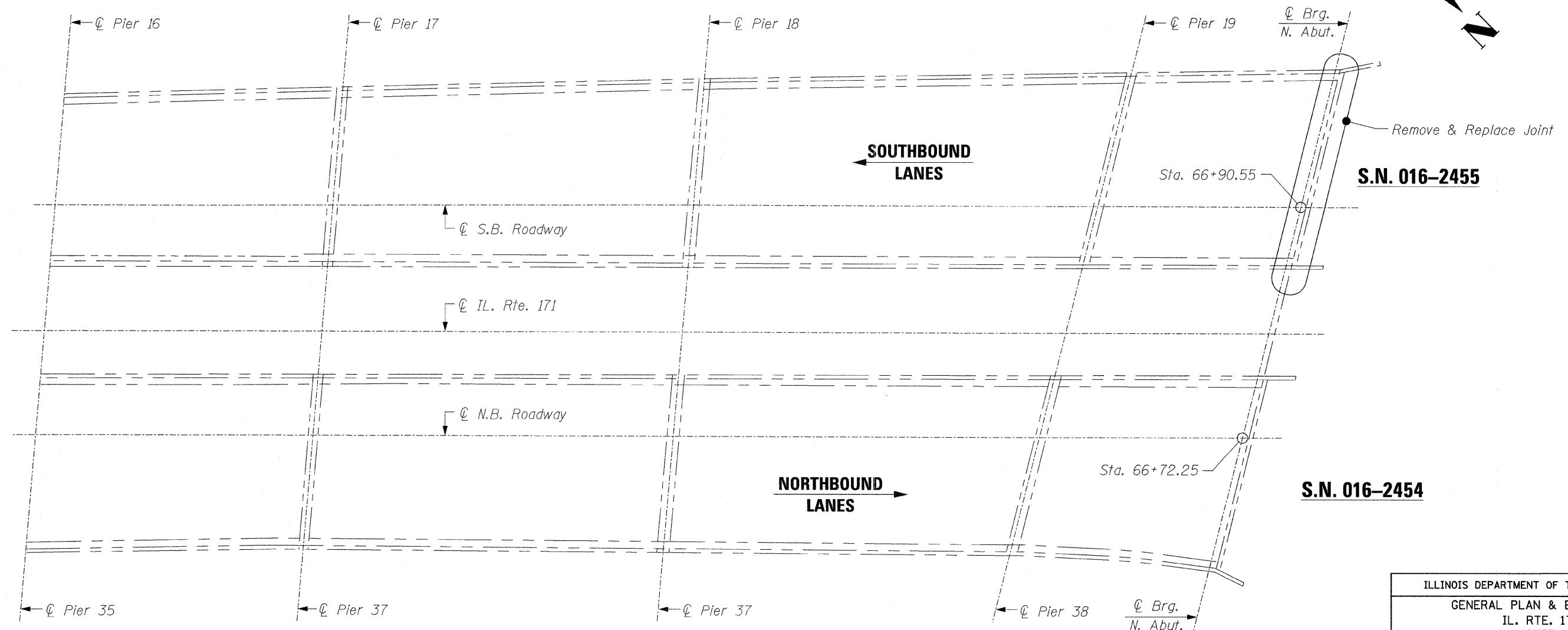
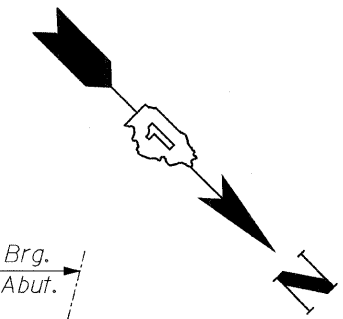


F.A.P. RTE.	SECTION	COUNTY	TOTAL SHEETS	SHEET NO.
373	0707-608 HB-I-4	COOK	40	30
STA.		TO STA.		
FED. ROAD DIST. NO.		ILLINOIS	FED. AID PROJECT	

**CONTRACT NO. 60C94**



**ELEVATION**  
(Looking West)



**PLAN**

REVISIONS	
NAME	DATE

ILLINOIS DEPARTMENT OF TRANSPORTATION  
**GENERAL PLAN & ELEVATION**  
 IL. RTE. 171  
 OVER  
 A.T. & S.F. R.R.  
 F.A.P. RTE. 373 SECTION: 0707-608 HB-I-4  
 COOK COUNTY STATION 65+10.55  
 S.N. 016-2455 & S.N. 016-2454  
 SCALE: NONE DRAWN BY: D.L./F.M.  
 DATE: DECEMBER 8, 2008 CHECKED BY: B.N.S./J.C.N.  
**CHRISTIAN-ROGE & ASSOC., INC.**  
 CHICAGO ILLINOIS