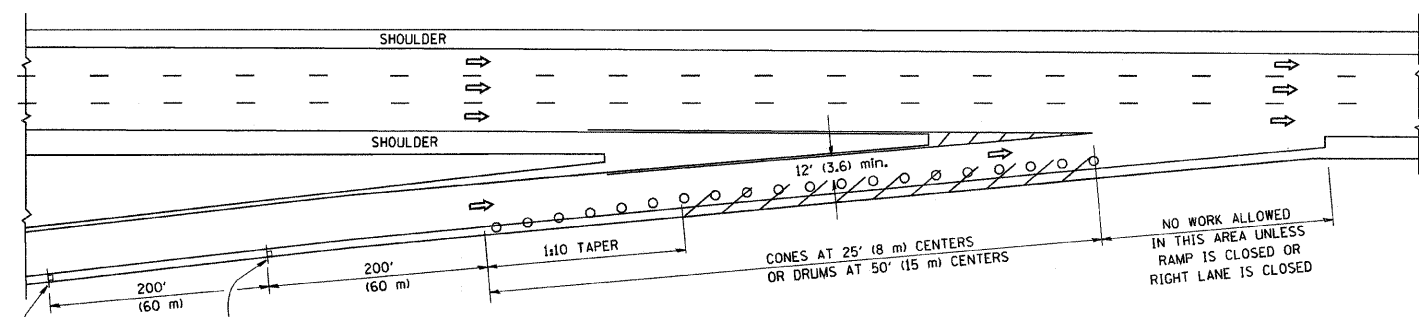
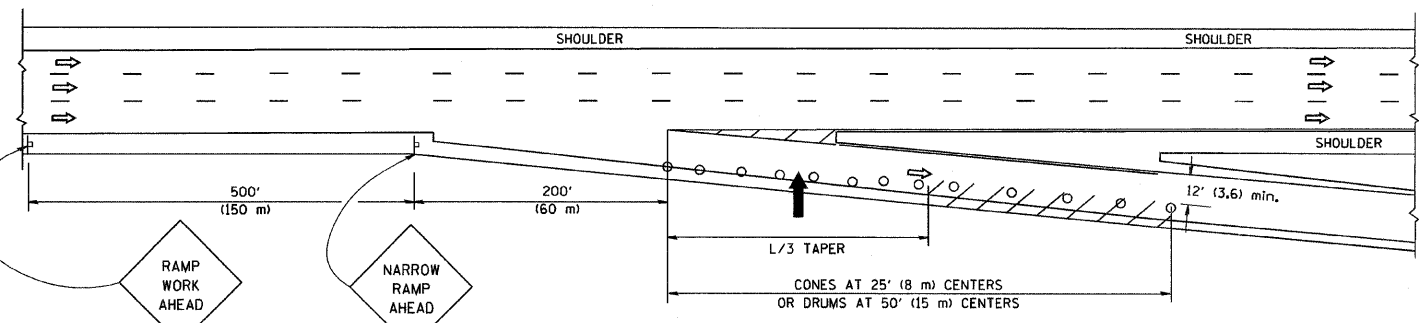


PARTIAL RAMP CLOSURE DETAILS

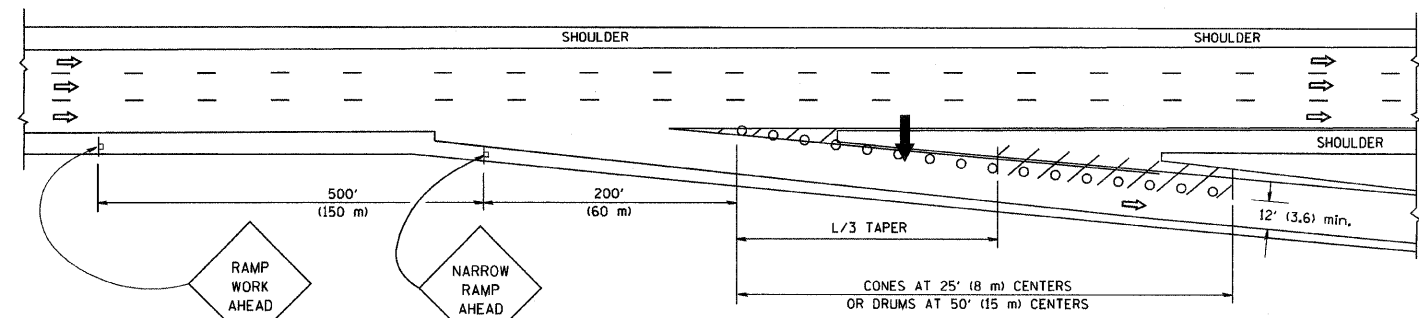
SHOULDER CLOSURE DETAILS



TYPICAL ENTRANCE RAMP



TYPICAL EXIT RAMP



TYPICAL EXIT RAMP

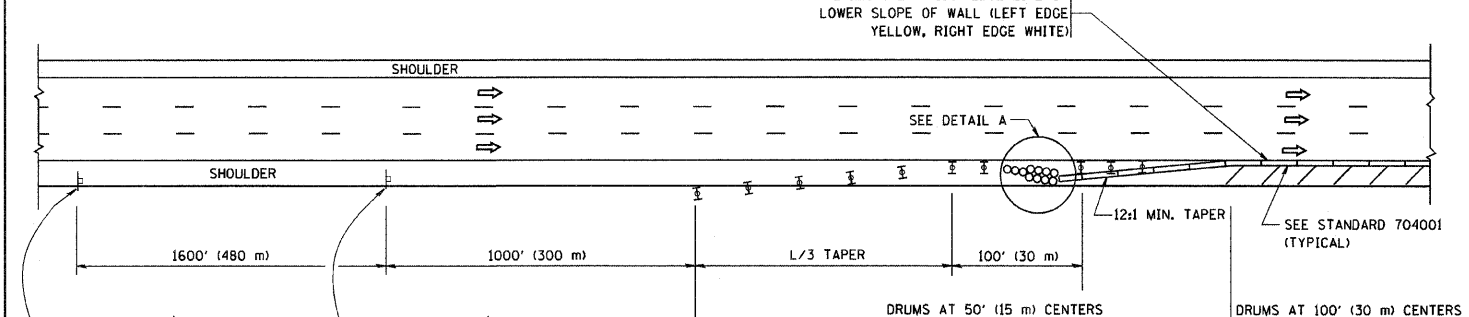
SYMBOLS

- ARROWBOARD
- WORK AREA
- SIGN ON PORTABLE OR PERMANENT SUPPORT
- FLAGGER WITH CONTROL SIGN
- TYPE II BARRICADE, DRUM OR VERTICAL BARRICADE WITH STEADY BURN MONO-DIRECTIONAL LIGHT
- CONE, DRUM OR BARRICADE

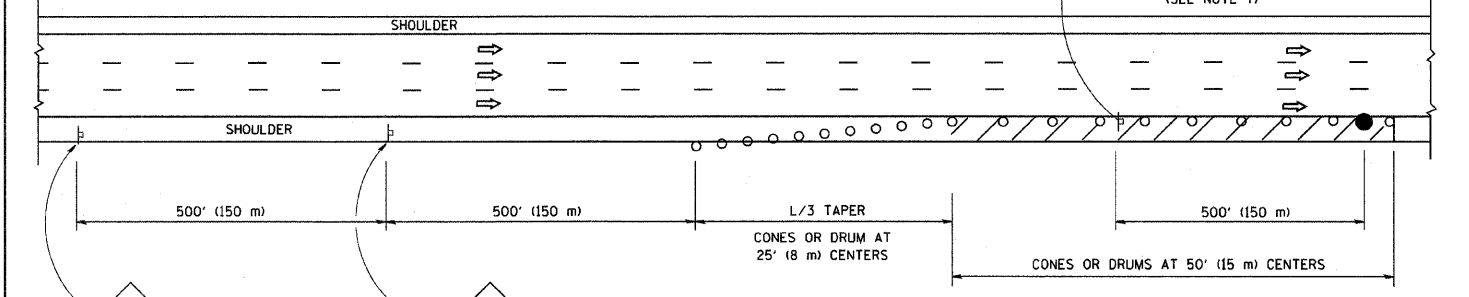
GENERAL NOTES

1. THE "L" DISTANCE EQUALS:

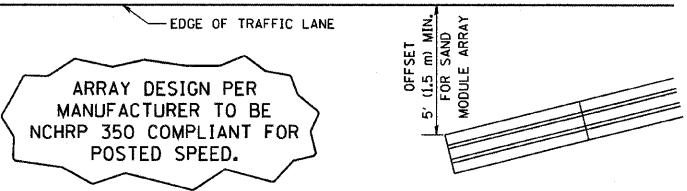
SPEED LIMIT	FORMULAS
45 mph (80 km/h) OR GREATER:	METRIC ENGLISH $L=0.65(W)(S)$ $L=(W)(S)$
	W = WIDTH OF OFFSET IN FEET (METERS) S = NORMAL POSTED SPEED MPH (KM/H)
2. PLASTIC DRUMS WITH HIGH PERFORMANCE REFLECTIVE SHEETING AND STEADY BURNING LIGHTS ARE REQUIRED FOR ALL NIGHTTIME CLOSURES.
3. ALL SIGNS SHALL BE POST MOUNTED IF THE CLOSURE TIME EXCEEDS FOUR DAYS.
4. FLASHING LIGHTS SHALL BE USED DURING THE HOURS OF DARKNESS AND SHALL BE INSTALLED ABOVE THE FIRST TWO SETS OF SIGNS.



PERMANENT SHOULDER CLOSURE



DAYTIME SHOULDER CLOSURE



DETAIL "A"
IMPACT ATTENUATOR, TEMPORARY
(SEE NOTE 5)

- REFLECTIVE 6 (150) EDGE LINE ON LOWER SLOPE OF WALL (LEFT EDGE YELLOW, RIGHT EDGE WHITE)
- SEE DETAIL A
- 12:1 MIN. TAPER
- SEE STANDARD 704001 (TYPICAL)
- DRUMS AT 50' (15 m) CENTERS
- DRUMS AT 100' (30 m) CENTERS
- OR WHEN SPECIFIED INSTALL TEMPORARY CONCRETE BARRIER WALL WITH BARRIER WALL REFLECTORS PER TRAFFIC CONTROL AND PROTECTION (EXPRESSWAYS)
- RAMP WORK AHEAD
- NARROW RAMP AHEAD
- ROAD CONSTRUCTION AHEAD (W 20-110)-48
- SHOULDER CLOSED AHEAD
- PERMANENT SHOULDER CLOSURE
- FLAGGER OR (W 20-110)(10)-48 (SEE NOTE 7) OR (W 20-7a)(10)-48
- DAYTIME SHOULDER CLOSURE
- THIS DETAIL IS USED WHERE:
- 1. VEHICLES, EQUIPMENT, WORKERS OR THEIR ACTIVITIES ENCRHOACH IN AN AREA CLOSER THAN 15' (4.5 m) TO THE EDGE OF PAVEMENT FOR A PERIOD IN EXCESS OF 15 MINUTES.
- ARRAY DESIGN PER MANUFACTURER TO BE NCHRP 350 COMPLIANT FOR POSTED SPEED.
- OFFSET 5' (1.5 m) MIN. FOR SAND FOR MODULE ARRAY
- EDGE OF TRAFFIC LANE
- ALL DIMENSIONS ARE IN INCHES (MILLIMETERS) UNLESS OTHERWISE SHOWN.

FILE NAME = W:\diststd\22x34\tcl7.dgn	USER NAME = goglanobt	DESIGNED -	REVISED - J.A.F. 12-02	STATE OF ILLINOIS DEPARTMENT OF TRANSPORTATION	TRAFFIC CONTROL DETAILS FOR FREEWAY SHOULDER CLOSURES AND PARTIAL RAMP CLOSURES		F.A. RTE. =	SECTION	COUNTY	TOTAL SHEETS	SHEET NO.
		DRAWN - D.W.S.	REVISED - 04-03		373	0707-608 HB-1-4	WILL	40	38		
		CHECKED -	REVISED - J.A.F. 12-06		SCALE: NONE SHEET NO. 1 OF 1 SHEETS STA. TO STA.		TC-17		CONTRACT NO. 60C94		
		DATE - 11-96	REVISED - S.P.B. 01-07		FED. ROAD DIST. NO. 1 ILLINOIS FED. AID PROJECT						