

**PROPOSED PLAN
LONGITUDINAL JOINT CLOSURE**

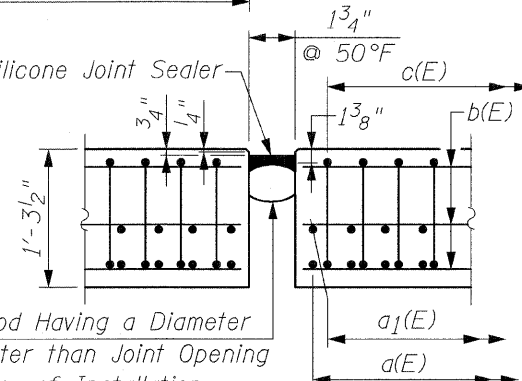
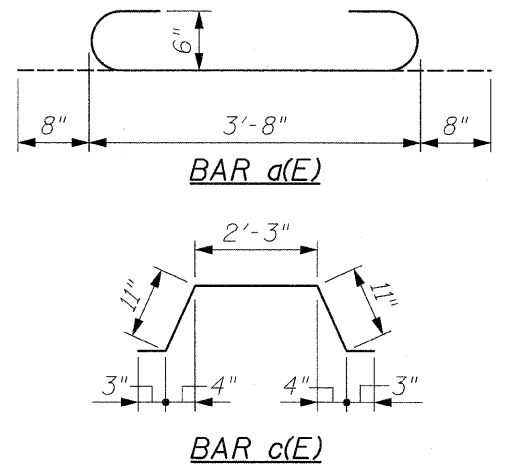
MIN. BAR LAP:
#6 Bar = 2'-7"

* Silicone Joint Sealer

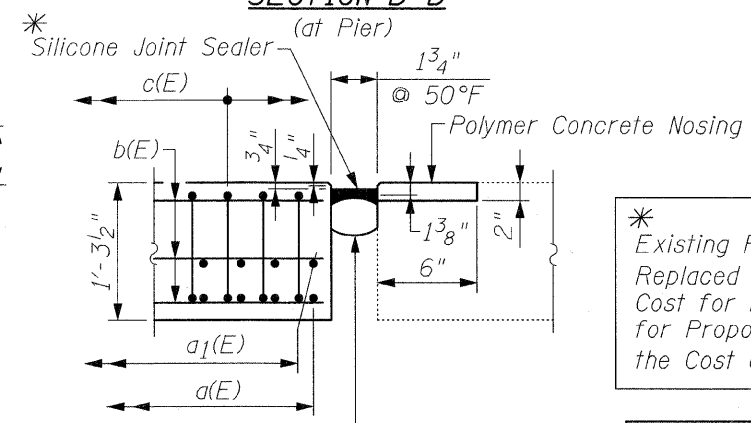
BILL OF MATERIAL

Bar	No.	Size	Length	Shape
a(E)	148	#6	5'-0"	
a1(E)	148	#6	3'-8"	
b(E)	52	#6	24'-1"	
c(E)	148	#6	4'-7"	
Reinforcement Bars, Epoxy Coated		Pound	4,830	
Concrete Removal		Cu. Yd.	15.0	
Concrete Superstructure		Cu. Yd.	15.2	
Protective Coat		Sq. Yd.	41	
Polymer Concrete		Cu. Ft.	1	

Bars Indicated Thus 4x2-#6 etc., Indicates 4 Lines of Bars With 2 Lengths per Line.

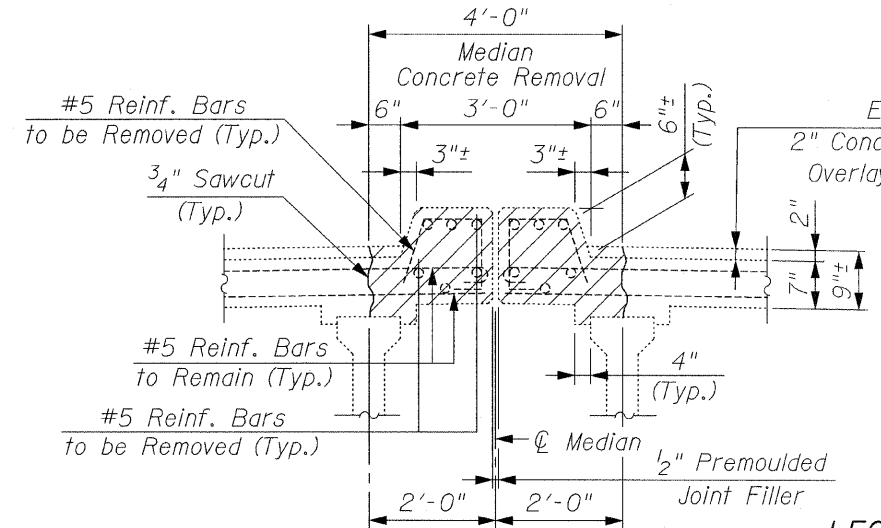


* Backer Rod Having a Diameter 25% Greater than Joint Opening at the Time of Installation



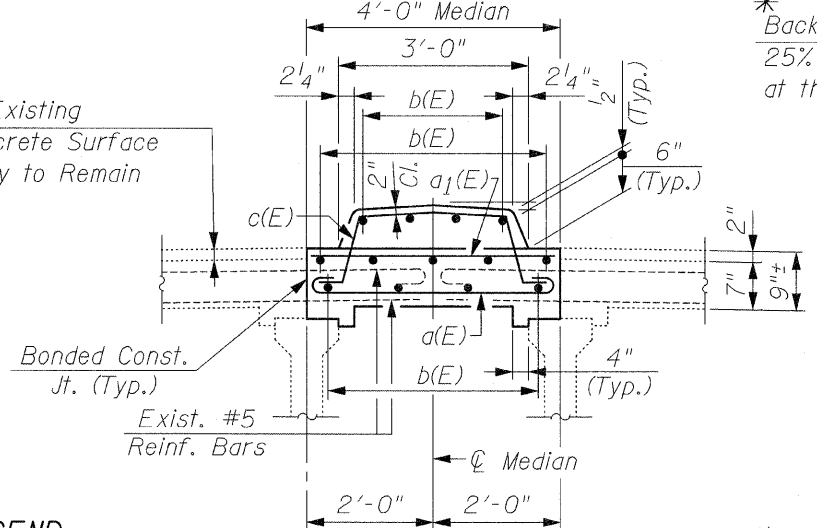
* Backer Rod Having a Diameter 25% Greater than Joint Opening at the Time of Installation

* Existing P.J.S. to be Removed and Replaced with Silicone Joint Sealer, 1 3/4". Cost for Removal of Existing P.J.S. and for Proposed Backer Rod is Included in the Cost of Silicone Joint Sealer, 1 3/4"



**EXISTING SECTION C-C
MEDIAN & LONGITUDINAL JOINT**

LEGEND:
 Concrete Removal



**PROPOSED SECTION C-C
MEDIAN**

FILE NAME = joint_closure.dgn	USER NAME = IDOT	DESIGNED - B.N.S./J.C.N.	REVISED -
		DRAWN - F.M.	REVISED -
	PLOT SCALE = 50.0000' / IN.	CHECKED - B.N.S./J.C.N.	REVISED -
	PLOT DATE = 12/30/2008	DATE - DECEMBER, 2008	REVISED -

**STATE OF ILLINOIS
DEPARTMENT OF TRANSPORTATION**

**LONGITUDINAL JOINT CLOSURE
JOLIET ROAD OVER FLAGG CREEK**

S.N. 016-0393

SCALE:	SHEET NO. S4 OF S5 SHEETS	STA. TO STA.	FED. ROAD DIST. NO.	ILLINOIS FED. AID PROJECT
--------	---------------------------	--------------	---------------------	---------------------------

CHRISTIAN-ROGE & ASSOCIATES, INC.
ENGINEERS / PLANNERS / SURVEYORS
211 W. WACKER DRIVE CHICAGO, IL 60606
PHONE: (312)372-2023 FAX: (312)372-5274

F.A.I.D. RTE.	SECTION	COUNTY	TOTAL SHEETS	SHEET NO.
3562	430 Y-1 BR	COOK	15	10
			CONTRACT NO. 60E60	