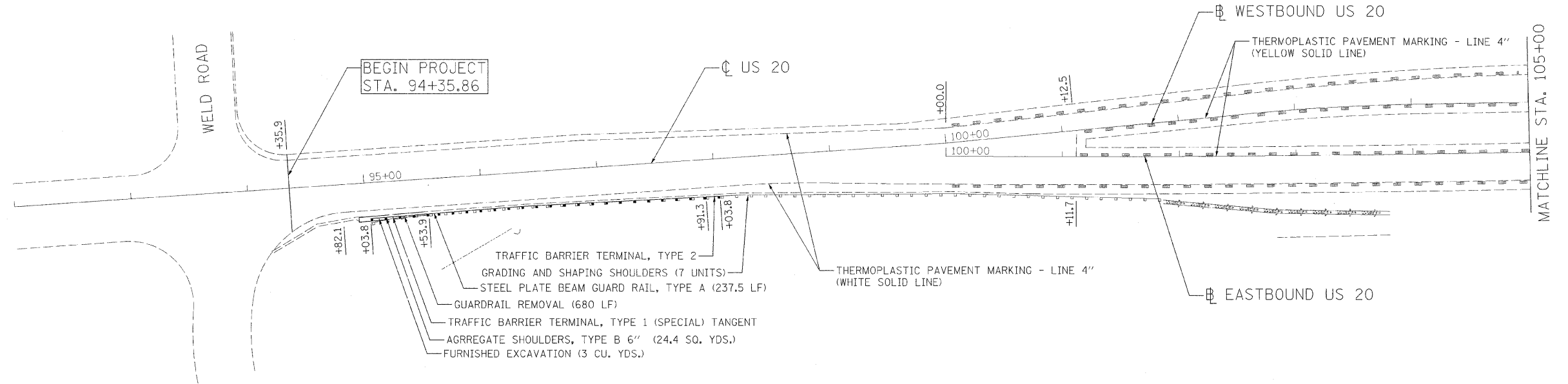
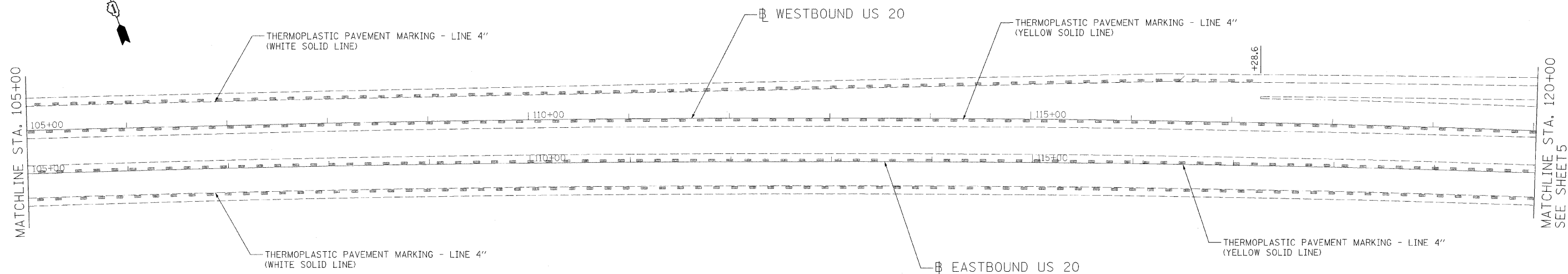


PLAN	DATE
BY	
DESIGNED	
DRAWN	
CHECKED	
IN CHARGE	
NO.	
DATE	



PROFILE	DATE
BY	
DESIGNED	
DRAWN	
CHECKED	
IN CHARGE	
NO.	
DATE	



LEGEND:
 - - - - - PROPOSED SHOULDER RUMBLE STRIPS

Ciorba Group, Inc.
 CONSULTING ENGINEERS
 6507 North Cumberland Avenue, Suite 402
 Chicago, Illinois 60656
 Tel. 773.775.4009 Fax 773.775.4014

USER NAME = m-randy	DESIGNED - DD	REVISED -
PLOT SCALE = 50.0001' / IN.	DRAWN - DD	REVISED -
PLOT DATE = 12/23/2008	CHECKED - MJL	REVISED -
	DATE - 12/23/2008	REVISED -

**STATE OF ILLINOIS
 DEPARTMENT OF TRANSPORTATION**

**FAP 345 / US 20 (LAKE ST.)
 WELD ROAD TO BLUFF CITY BLVD/SHALES PARKWAY
 ROADWAY PLAN**

F.A.P. RTE. 345	SECTION 2008-073 GRR	COUNTY COOK/KANE	TOTAL SHEETS 20	SHEET NO. 4
F.I.D. ROAD DIST. NO.		ILLINOIS FED. AID PROJECT		

FILE NAME = c:\p\proj\34568\34568_01\design\proposed\plan\34568_01-04-proposed01.dgn