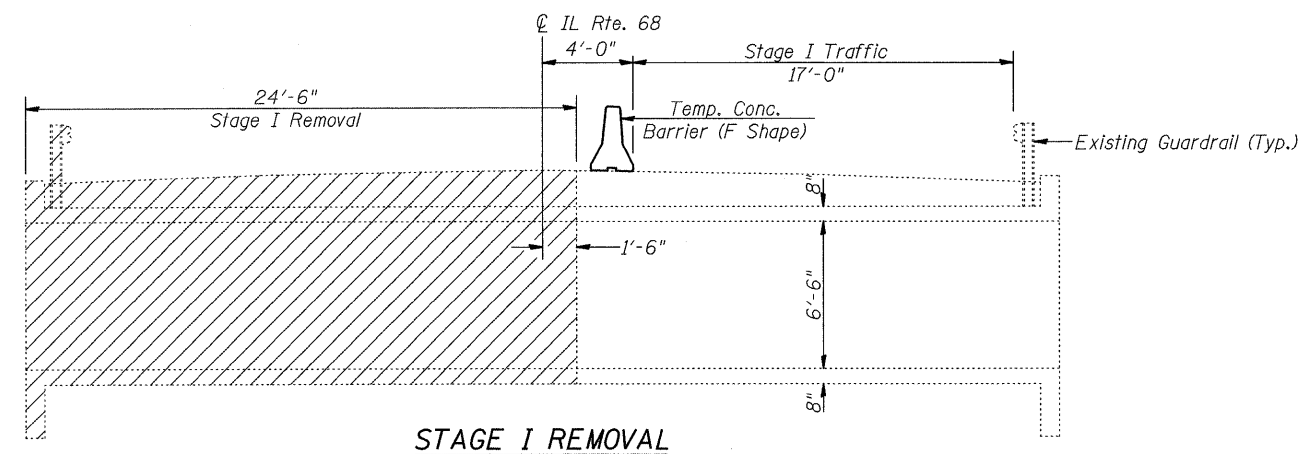
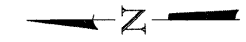


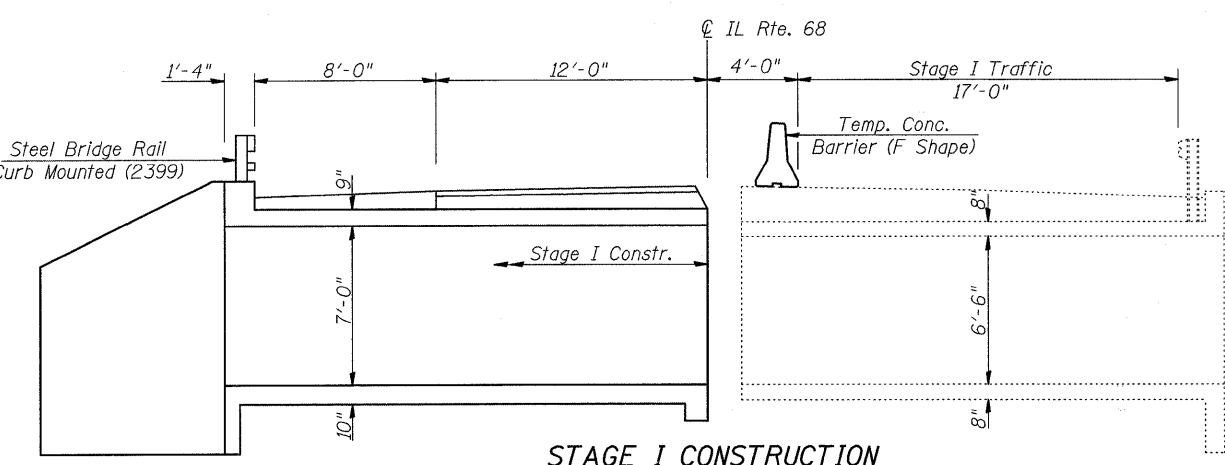
F.A.P.	SECTION	COUNTY	TOTAL SHEETS	SHEET NO.
343	631-A	COOK	33	19
FED. ROAD DIST. NO. 1		ILLINOIS	FED. AID PROJECT-	

SHEET NO.
2 of 10

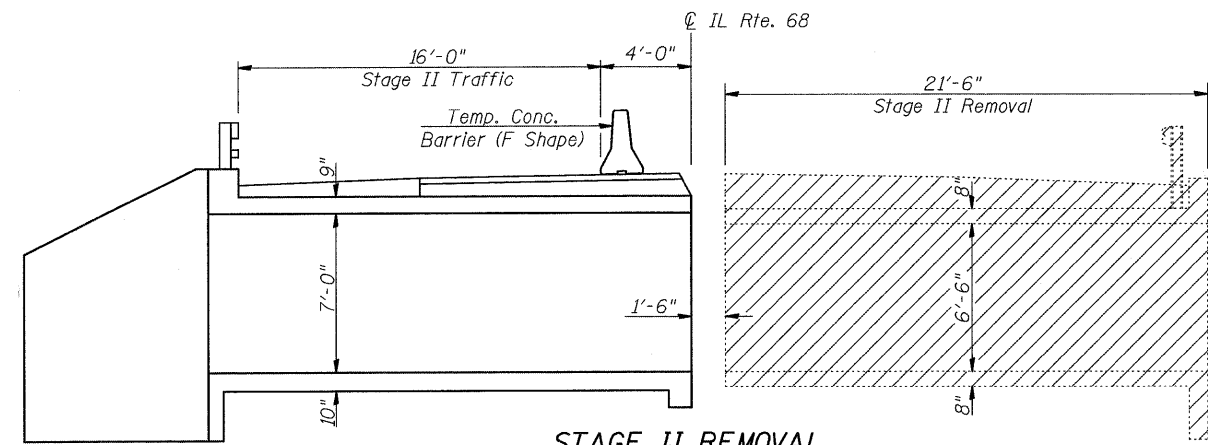
Contract No.: 62710



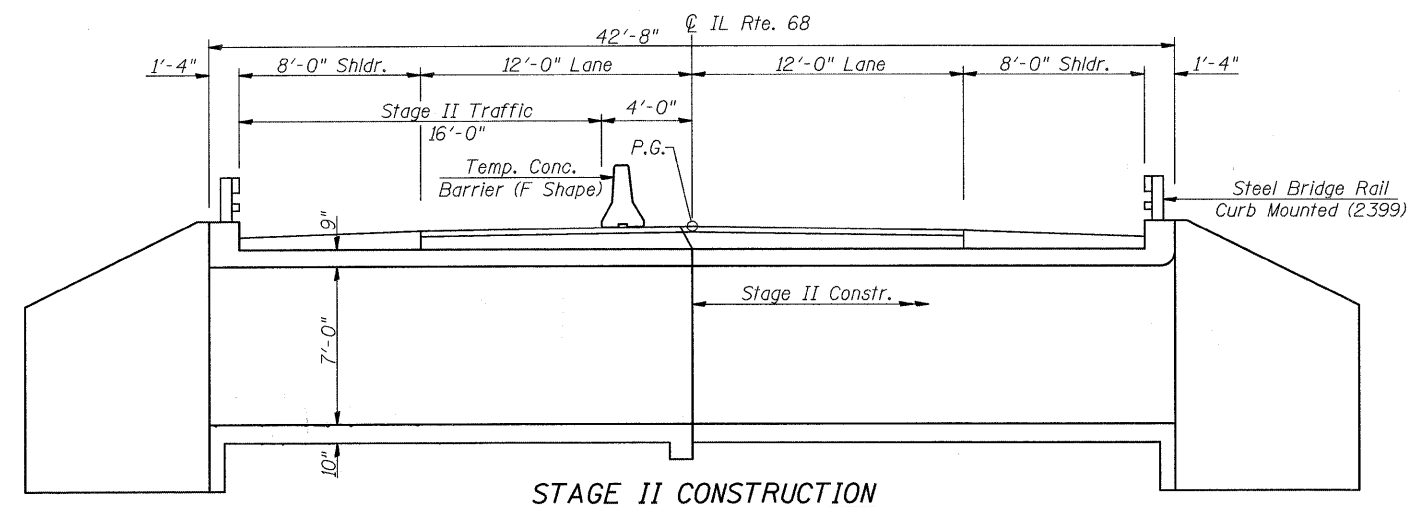
STAGE I REMOVAL



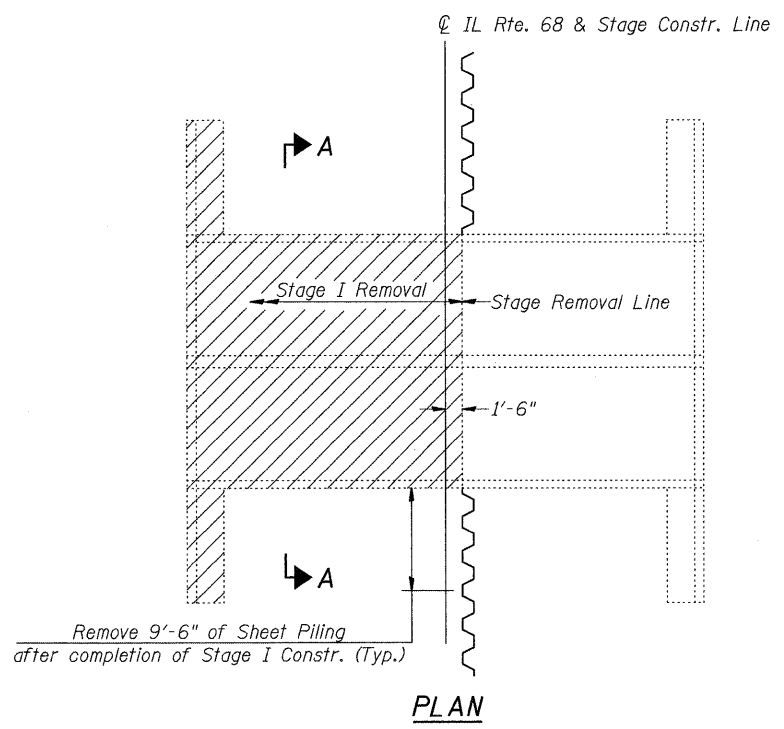
STAGE I CONSTRUCTION



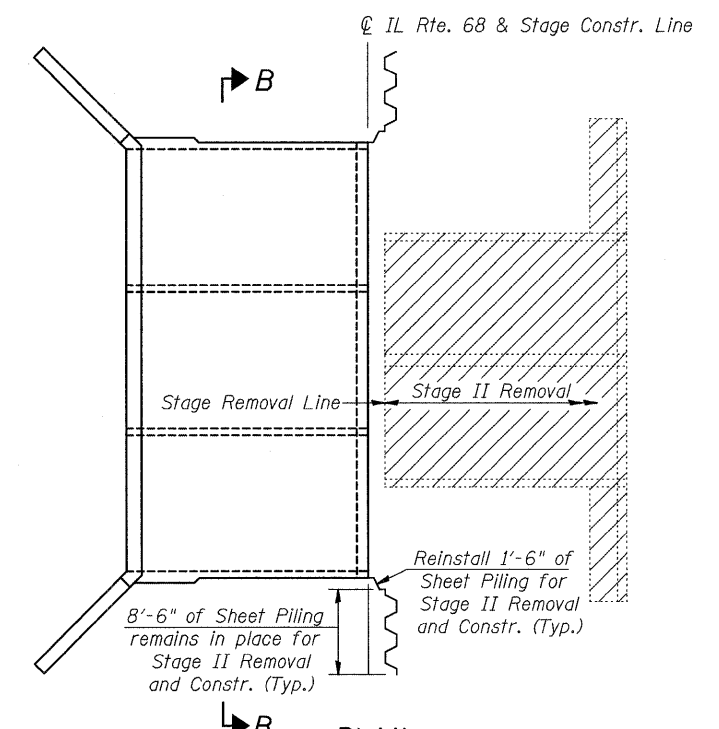
STAGE II REMOVAL



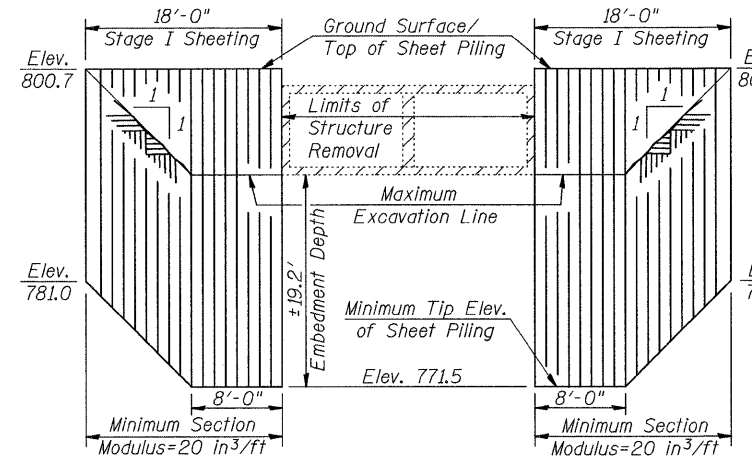
STAGE II CONSTRUCTION



PLAN

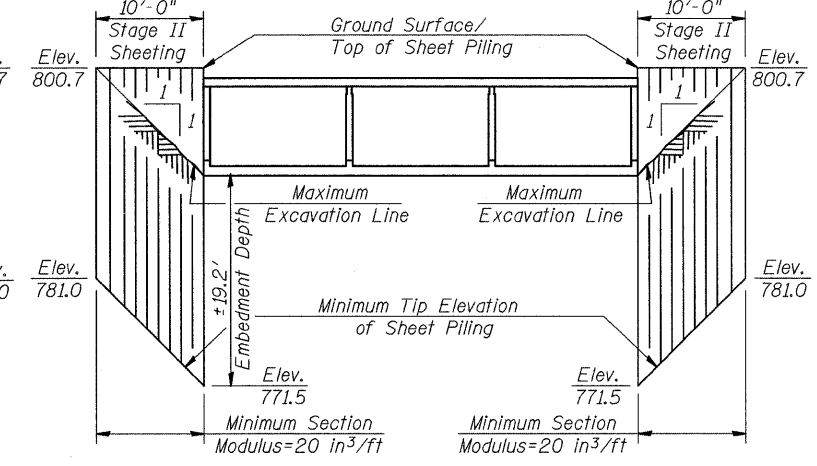


PLAN



SECTION A-A

TEMPORARY SHEET PILING
(for Stage I Construction)



SECTION B-B

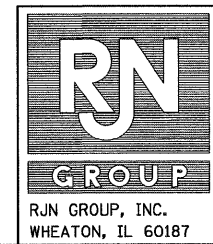
TEMPORARY SHEET PILING
(for Stage II Construction)

BILL OF MATERIAL

ITEM	UNIT	TOTAL
Removal of Existing Structures	Each	1
Temporary Sheet Piling	Sq. Ft.	956

NOTES

Staging sections are looking East.
Removal of the Guardrail, bituminous wearing surface and fill above the culvert is included with "Removal of Existing Structures".
Hatched area indicates "Removal of Existing Structures".
Pay Item for "Temporary Concrete Barrier" is included with Roadway Plans.
See Sheet 8 of 10 for Temporary Concrete Barrier.
If the Contractor chooses to alter the temporary cantilevered sheet piling design requirements shown on the plans, a design submittal including plan details and calculations will be required for review and acceptance by the Engineer.



REVISIONS	
NAME	DATE

ILLINOIS DEPARTMENT OF TRANSPORTATION
STAGE CONSTRUCTION DETAILS
IL RTE. 68 OVER SPRING CREEK
FAP RTE 343 - SECTION 631-A
COOK COUNTY
STATION 50+00
STRUCTURE NO. 016-2811
DRAWN BY BLB
CHECKED BY WJV
DATE 12/11/08