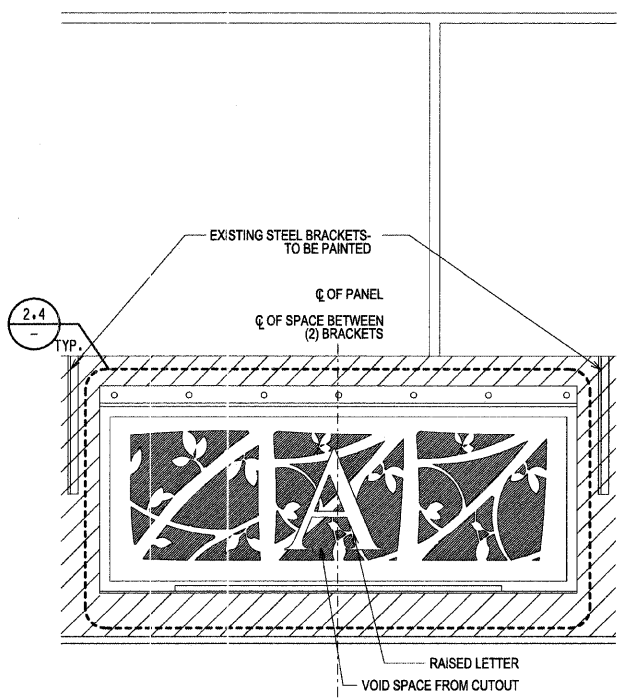
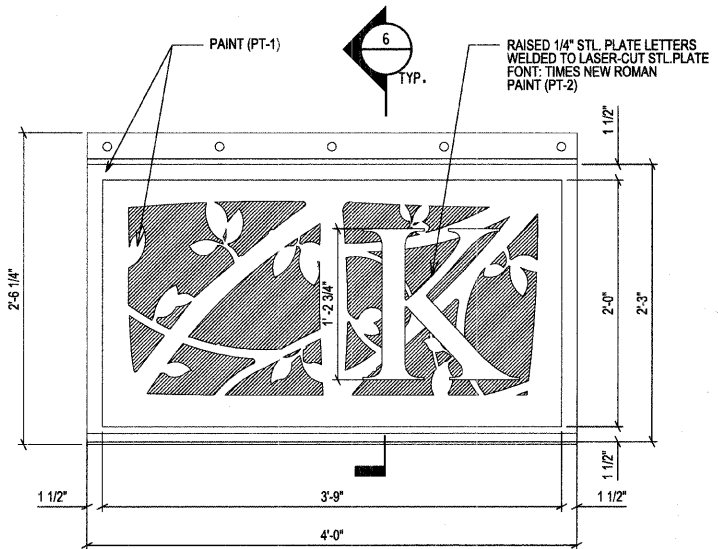


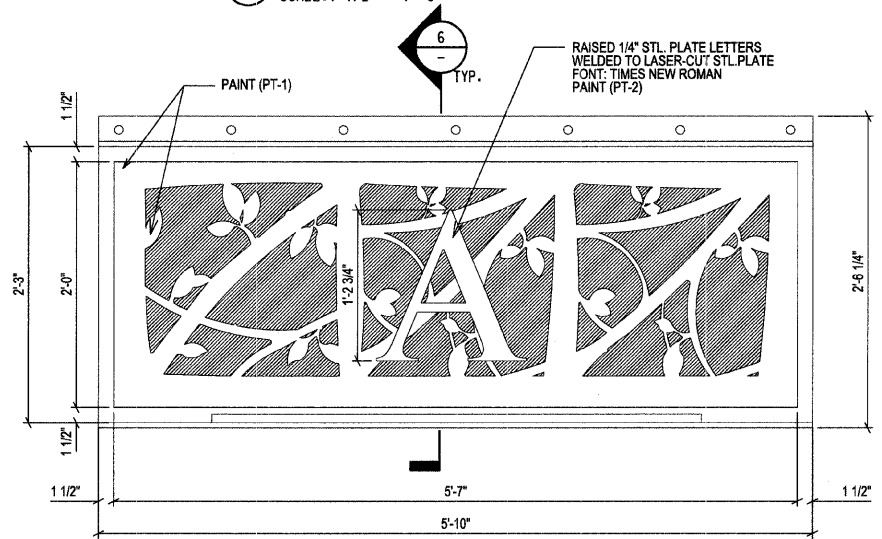
1 ELEVATION AT NORTH GATEWAY
SCALE: 1" = 1'-0"



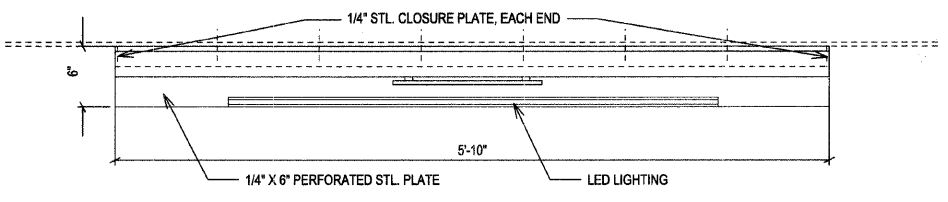
3 ELEVATION AT SOUTH GATEWAY
SCALE: 1" = 1'-0"



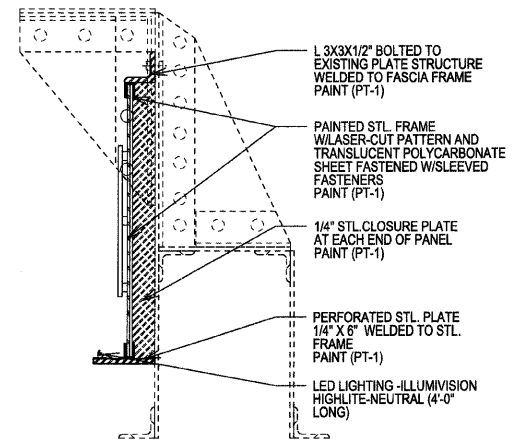
2 GATEWAY MONUMENT SIGN PANEL TYPE A ELEVATION
SCALE: 1 1/2" = 1'-0"



4 GATEWAY MONUMENT SIGN PANEL TYPE B ELEVATION
SCALE: 1 1/2" = 1'-0"



5 PLAN SECTION AT GATEWAY MONUMENT SIGN
SCALE: 1 1/2" = 1'-0"



6 SECTION AT GATEWAY MONUMENT SIGN
SCALE: 1 1/2" = 1'-0"



USER NAME : #USER#	DESIGNED AT	REVISED -
PLLOT SCALE : #SCALE#	DRAWN EB	REVISED -
PLLOT DATE : #DATE#	CHECKED DK	REVISED -
	DATE 11-18-2008	REVISED -

STATE OF ILLINOIS
DEPARTMENT OF TRANSPORTATION

GATEWAY MONUMENT SIGN DETAILS

SCALE: AS SHOWN SHEET NO. OF SHEETS STA. TO STA.

SHEET A2.1	
F.A. RTE.	SECTION
2775	06-00243-00-BR
COUNTY	TOTAL SHEETS
COOK	14
CONTRACT NO. 63091	
FED. ROAD DIST. NO.	ILLINOIS FED. AID PROJECT