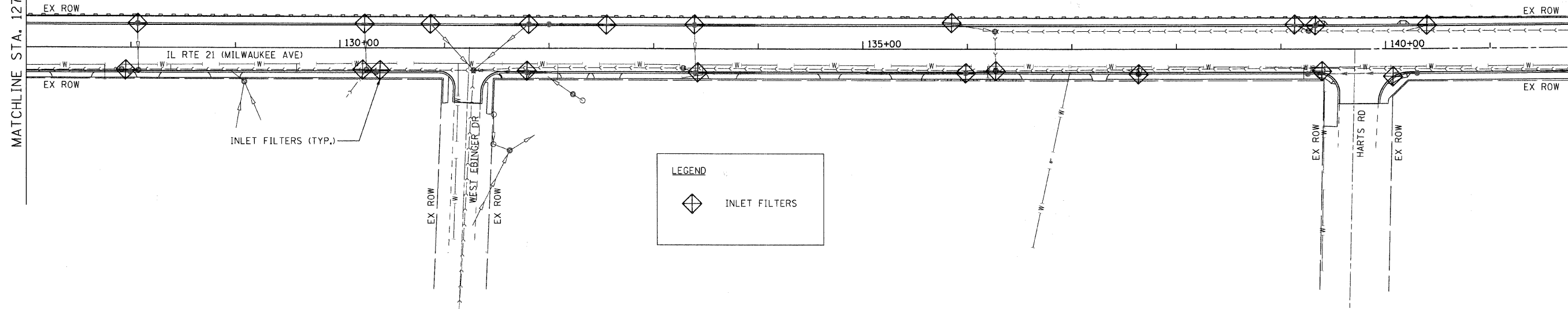


MATCHLINE STA. 127+00.00

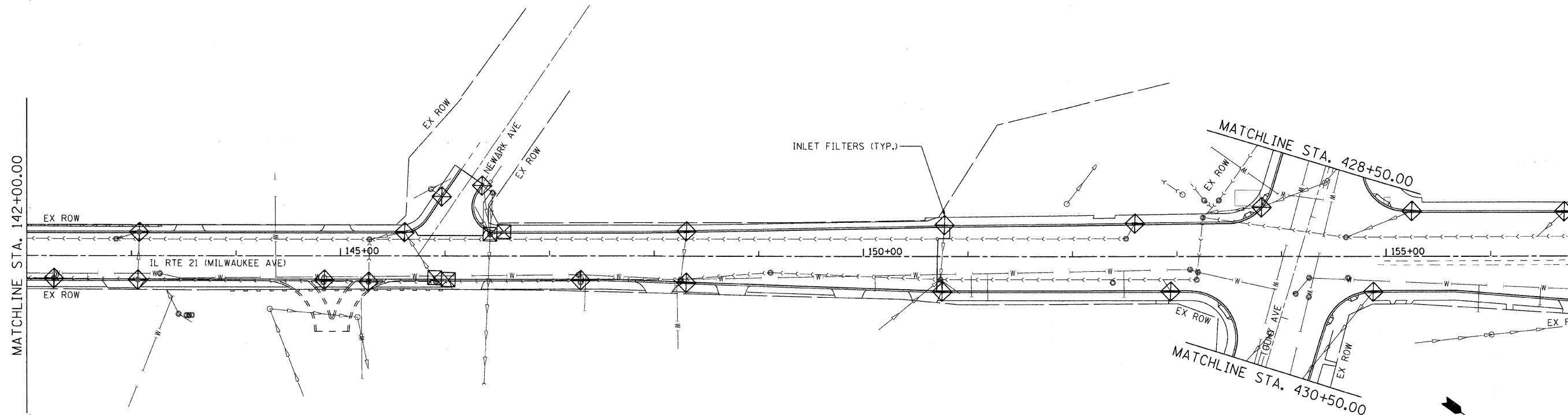


MATCHLINE STA. 142+00.00

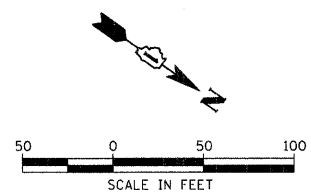
LEGEND

◊ INLET FILTERS

MATCHLINE STA. 142+00.00



MATCHLINE STA. 157+00.00



USER NAME = charlke	DESIGNED - JJS	REVISED -
PLOT SCALE = 1" = 50'	DRAWN - JPA	REVISED -
PLOT DATE = 12/22/2008	CHECKED - JLP	REVISED -
	DATE - 12/16/08	REVISED -

VILLAGE OF NILES

EROSION CONTROL PLAN

SCALE: 1" = 50' SHEET NO. 2 OF 3 SHEETS STA. 127+00.00 TO STA. 157+00.00

F.A.U. RTE. 3513	SECTION 08-00107-06-PV	COUNTY COOK	TOTAL SHEETS 169	SHEET NO. 29
FED. ROAD DIST. NO.		ILLINOIS FED. AID PROJECT	M-8003(723)	

MILWAUKEE AVENUE IMPROVEMENTS
 062233-ar-02.dgn