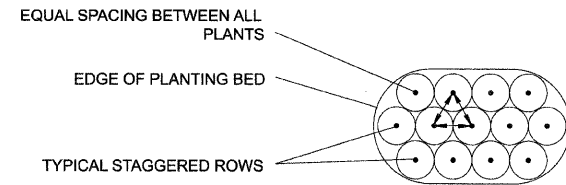
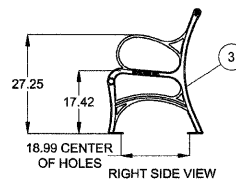
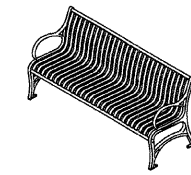
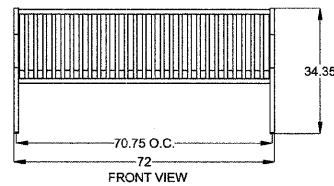
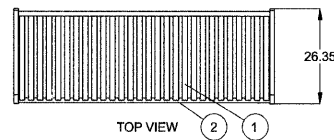


DETAILS



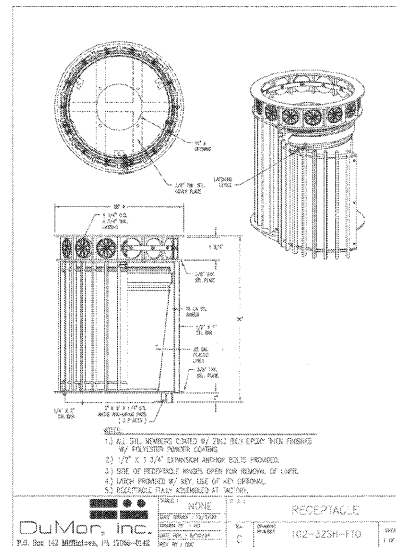
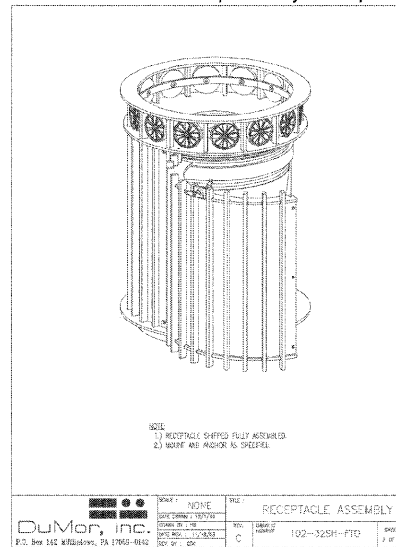
TYPICAL PLANTING BED PLAN

SCALE: N.T.S.



TYPICAL BENCH DETAIL

SCALE: N.T.S. *provided by SiteScapes Inc.



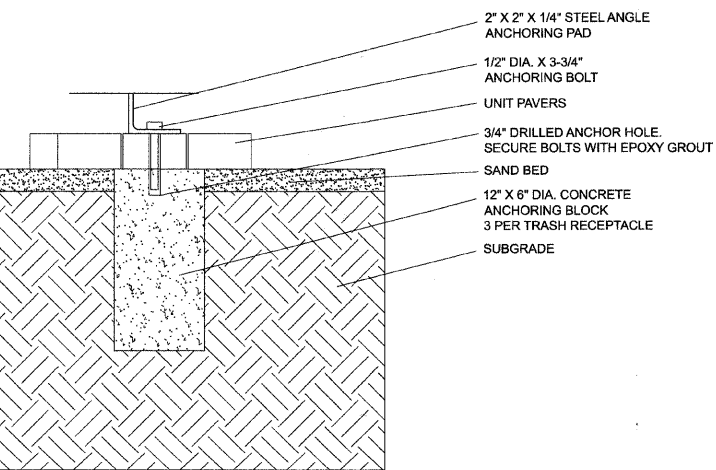
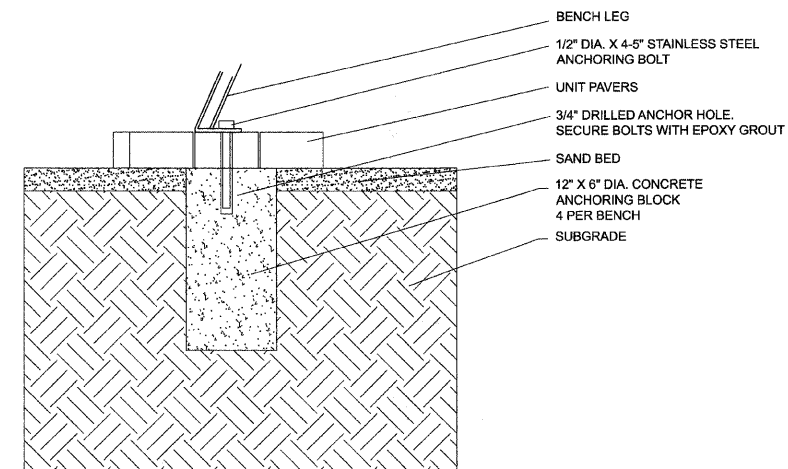
TYPICAL TRASH RECEPTACLE DETAIL

SCALE: N.T.S. *provided by DuMor, Inc.

PLANT LIST

MATERIALS LIST

QTY.	KEY	BOTANICAL NAME	COMMON NAME	SIZE	SPACING
GROUNDCOVER, PERENNIALS AND VINES					
14	ECPM	Echinacea purpurea 'Magnus'	Magnus Coneflower	1 gal.	18" o.c.
106	HESO	Hemerocallis 'Stella de Oro'	Daylily	1 gal.	18" o.c.
115	LISK	Liatris spicata 'Kobold'	Kobold Gayfeather	1 gal.	18" o.c.
64	RUFG	Rudbeckia fulgida 'Goldsturm'	Black Eyed Susan	1 gal.	18" o.c.
ORNAMENTAL GRASSES					
23	PEAL	Pennisetum alopecuroides	Fountain Grass	1 gal.	18" o.c.
81	PEHA	Pennisetum alopecuroides 'Hameln'	Hameln Fountain Grass	1 gal.	18" o.c.
65	SPHE	Sporobolus heterolepis	Prairie Dropseed	1 gal.	18" o.c.



BENCH ANCHOR DETAIL

SCALE: N.T.S. *provided by DuMor, Inc.

MANUFACTURER: **SiteScapes**

PRODUCT: Cityview Cast End Backed Bench CV1-1010DF

COLOR: Onyx

LENGTH: 6'-0"

FINISH: Duracoat

CONTACT: SiteScapes Inc.
P.O. Box 22326
4910 Countryhill Rd.
Lincoln, NE 68516
888.331.9464
www.sitescapesonline.com

- MATERIAL LIST:
1. Seat straps - 5/16" x 1 1/2" steel flat bar.
 2. Support pipes - Ø 1.315" x .133" steel pipe.
 3. End units - 1 1/4" cast iron with 9/16" mounting holes.
 4. Mounted with four Ø 1/2" x 4-5" stainless steel anchor bolts (customer supplied).

MANUFACTURER: DuMor, Inc.

PRODUCT: Receptacle 102-32SH-FTO

COLOR: Black

SIZE: 32 Gallon

FINISH: Powder Coat

CONTACT: DuMor, Inc.
P.O. Box 142
Mifflintown, PA 17059
800.598.4018
http://dumor.com



USER NAME = char-tke	DESIGNED - MAC	REVISED -
PLOT SCALE = 1" = 20'	DRAWN - CMH	REVISED -
PLOT DATE = 1/6/2009	CHECKED - CMH	REVISED -
	DATE - 12/16/08	REVISED -

VILLAGE OF NILES

LANDSCAPE PLAN - DETAILS

SCALE: 1" = 20' SHEET NO. 6 OF 7 SHEETS STA. TO STA.

F.A.U. RTE.	SECTION	COUNTY	TOTAL SHEETS	SHEET NO.
3513	08-00107-00-PV	COOK	169	57
FED. ROAD DIST. NO. ILLINOIS FED. AID PROJECT			CONTRACT NO. M-8003(723)	