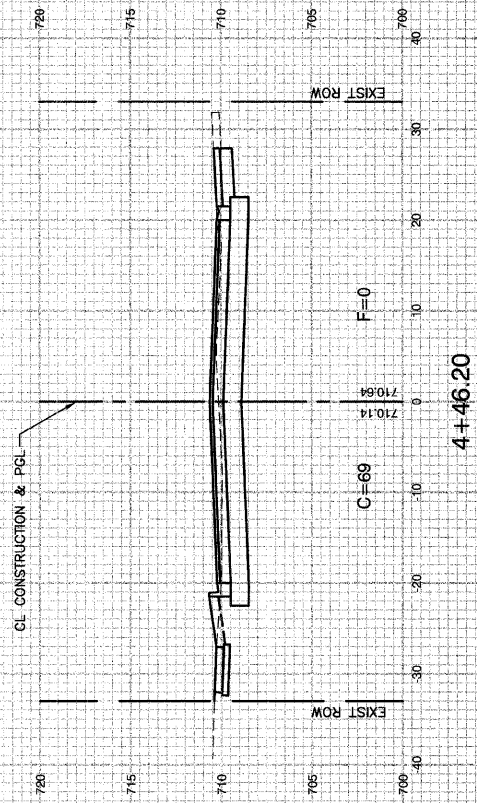
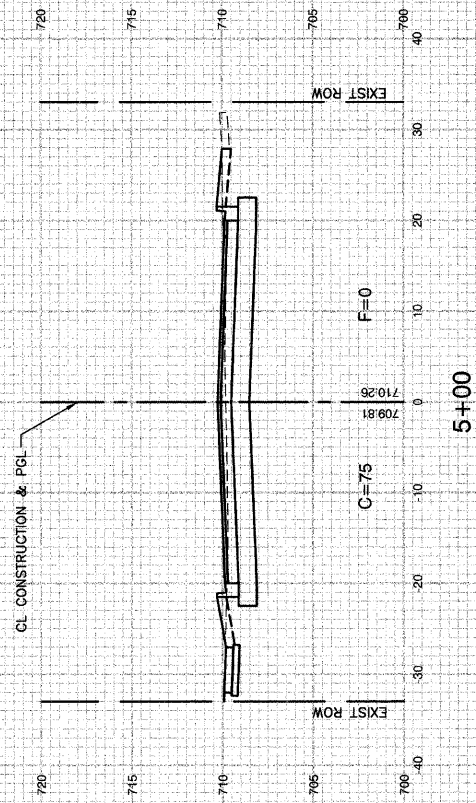
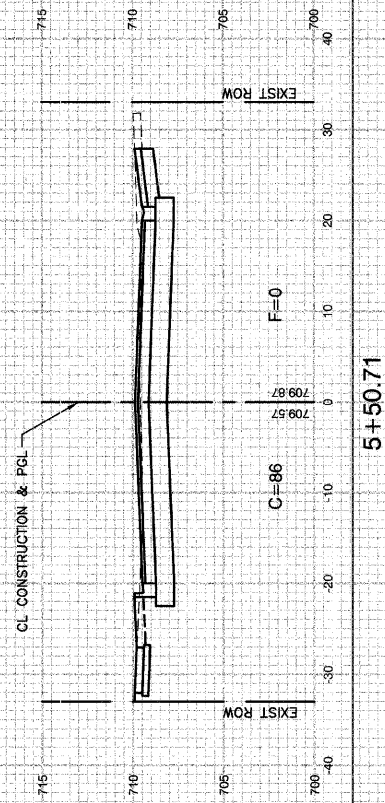
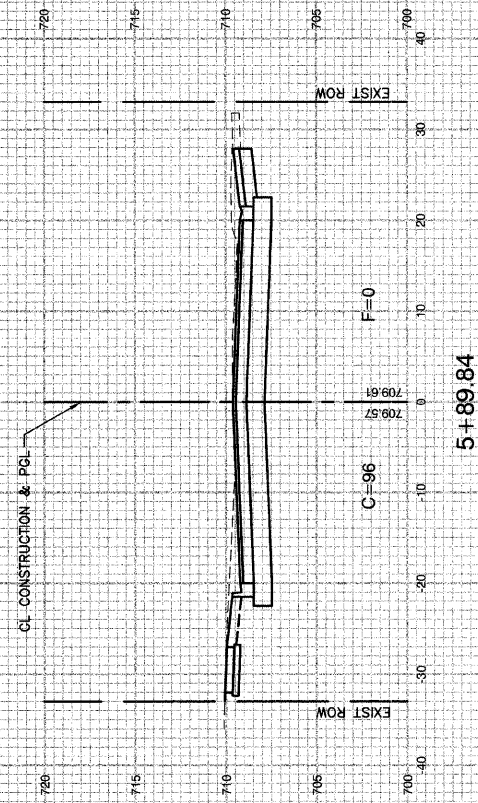


F. A. U. SHEET NO.	SECTION	COUNTY	TOTAL SHEETS	SHEET NO.
4304	04-00045-00-FP	WILL	033	022
STA.		TO STA.		
FED. ROAD DIST. NO.		ILLINOIS	FED. AID PROJECT	
CONTRACT #63108				



REVISIONS	
NAME	DATE

ILLINOIS DEPARTMENT OF TRANSPORTATION

**RATHJE ROAD RECONSTRUCTION
CROSS SECTIONS**

SCALE: VERT. 1" = 5'
HORIZ. 1" = 10'
DATE 09-18-09

DRAWN BY MD
CHECKED BY HLG

ROBINSON ENGINEERING, LTD.
17000 SOUTH PARK AVENUE SOUTH HOLLAND, ILLINOIS 60473
(708) 381-4700 FAX (708) 381-9828
ILLINOIS DESIGN FIRM REGISTRATION NO. 194001129 05025_04-XSEC-01