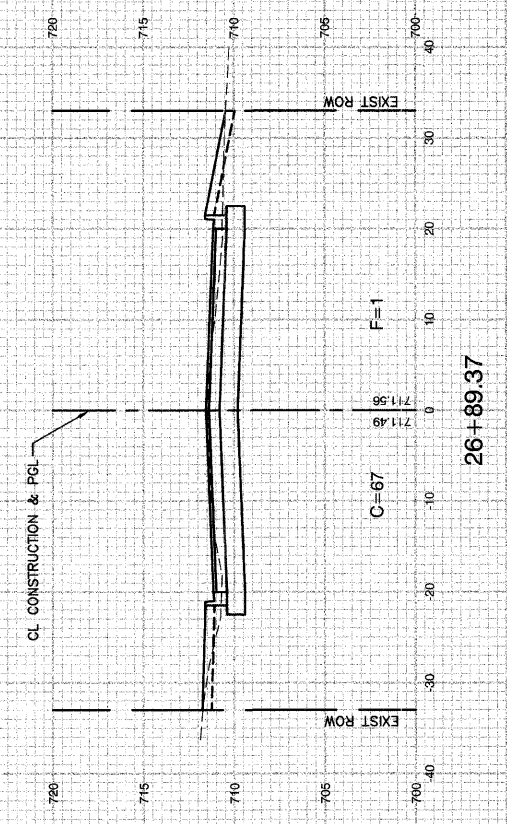
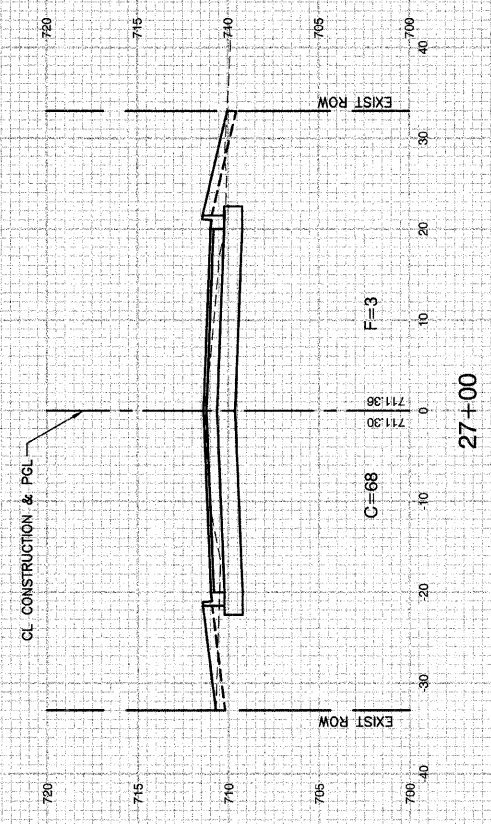
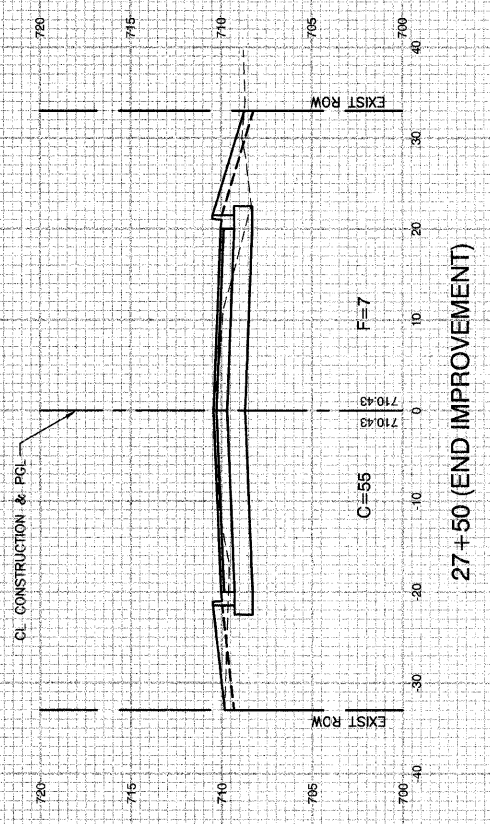


F. A. U. SHEET	SECTION	COUNTY	TOTAL SHEETS	SHEET NO.
4304	04-00045-00-FP	WILL	033	033
STA.		TO STA.		
FED. ROAD DIST. NO.	ILLINOIS	FED. AID PROJECT		
CONTRACT #63108				



REVISIONS	
NAME	DATE

ILLINOIS DEPARTMENT OF TRANSPORTATION

**RATHJE ROAD RECONSTRUCTION
CROSS SECTIONS**

SCALE: VERT. 1" = 5'
 HORIZ. 1" = 10'
 DATE 09-18-09

DRAWN BY MD
 CHECKED BY HLG

ROBINSON ENGINEERING, LTD.
 1700 SOUTH PARK AVENUE SOUTH HOLLAND, ILLINOIS 60473
 (708) 351-6700 FAX (708) 351-9826
 ILLINOIS DESIGN FIRM REGISTRATION NO. 154001128

06025_04-XSEC-01