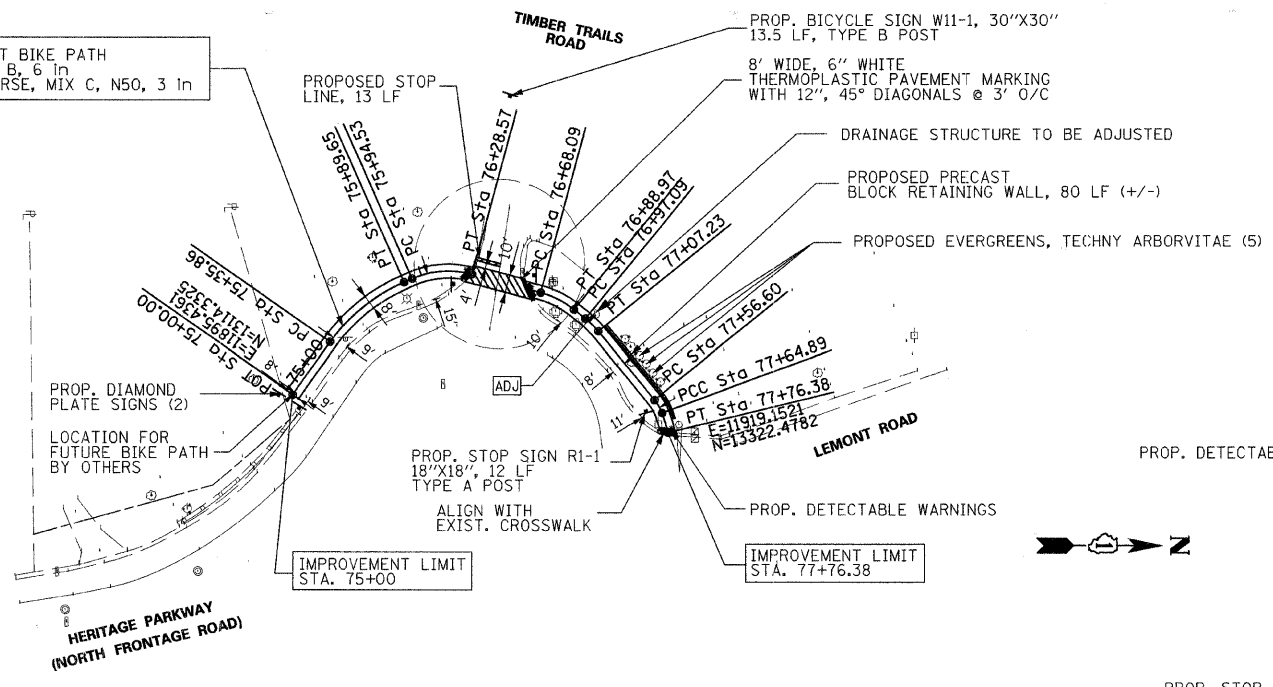


F.A. RTE.	SECTION	COUNTY	TOTAL SHEETS	SHEET NO.
06-00055-00-BT		DUPAGE	27	6

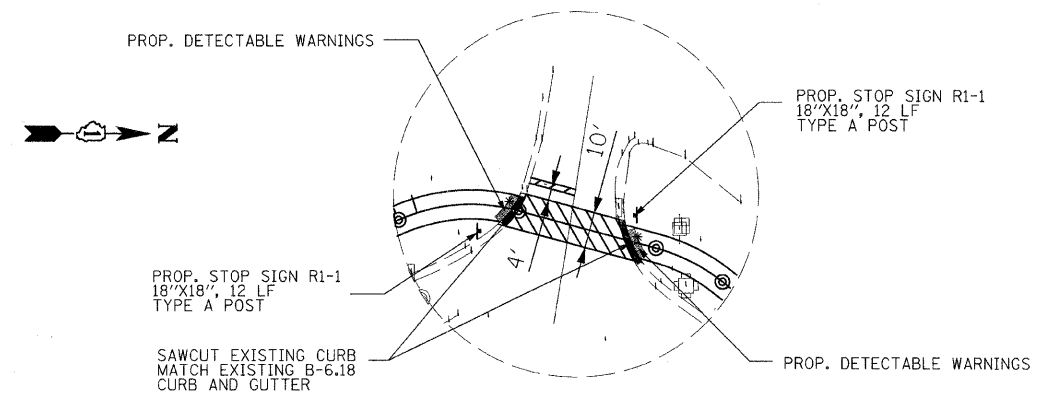
CONTRACT NO: 63113

<p>PROP. CURVE NWBIKE-1 PI STA. = 75+63.42 $\Delta = 30^\circ 49' 15''$ (RT) D = 57' 17' 45" R = 100.00' T = 27.56' L = 53.79' E = 3.73' e = ----- T.R. = ----- S.E. RUN = ----- P.C. STA. = 75+35.86 P.T. STA. = 75+89.65</p>	<p>PROP. CURVE NWBIKE-2 PI STA. = 76+12.24 $\Delta = 39^\circ 00' 42''$ (RT) D = 114' 35' 30" R = 50.00' T = 17.71' L = 34.04' E = 3.04' e = ----- T.R. = ----- S.E. RUN = ----- P.C. STA. = 75+94.53 P.T. STA. = 76+28.57</p>	<p>PROP. CURVE NWBIKE-3 PI STA. = 76+78.68 $\Delta = 23^\circ 55' 02''$ (RT) D = 114' 35' 30" R = 50.00' T = 10.59' L = 20.87' E = 1.11' e = ----- T.R. = ----- S.E. RUN = ----- P.C. STA. = 76+68.09 P.T. STA. = 76+88.97</p>
<p>PROP. CURVE NWBIKE-4 PI STA. = 77+02.18 $\Delta = 11^\circ 37' 32''$ (RT) D = 114' 35' 30" R = 50.00' T = 5.09' L = 10.15' E = 0.26' e = ----- T.R. = ----- S.E. RUN = ----- P.C. STA. = 76+97.09 P.T. STA. = 77+07.23</p>	<p>PROP. CURVE NWBIKE-5 PI STA. = 77+60.79 $\Delta = 19^\circ 00' 00''$ (RT) D = 229' 10' 59" R = 25.00' T = 4.18' L = 8.29' E = 0.35' e = ----- T.R. = ----- S.E. RUN = ----- P.C. STA. = 77+56.60 P.T. STA. = 77+64.89</p>	<p>PROP. CURVE NWBIKE-6 PI STA. = 77+70.65 $\Delta = 6^\circ 35' 02''$ (RT) D = 57' 17' 45" R = 100.00' T = 5.75' L = 11.49' E = 0.17' e = ----- T.R. = ----- S.E. RUN = ----- P.C. STA. = 77+64.89 P.T. STA. = 77+76.38</p>

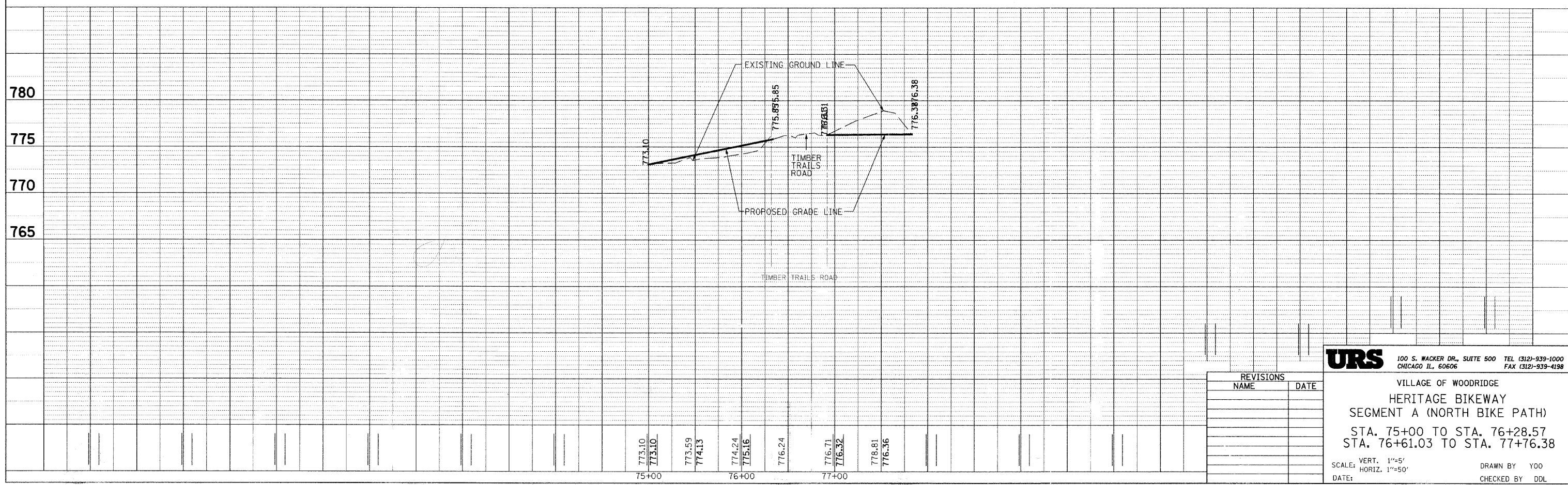
PROPOSED 8-FOOT WIDE ASPHALT BIKE PATH
AGGREGATE BASE COURSE, TYPE B, 6 in
HOT MIX ASPHALT SURFACE COURSE, MIX C, N50, 3 in



*NOTE: SAWCUT EXISTING CURB AT LOCATIONS SHOWN AND MATCH EXISTING SURFACE ELEVATION.
PROPOSED DIAMOND PLATE SIGNS (2) TO BE RELOCATED FROM STA. 50+12, BIKE PATH (SEGMENT B).



SEGMENT A (NORTH BIKE PATH)



REVISIONS	
NAME	DATE

URS 100 S. WACKER DR., SUITE 500 TEL (312)-939-1000
CHICAGO IL, 60606 FAX (312)-939-4198

VILLAGE OF WOODRIDGE
HERITAGE BIKEWAY
SEGMENT A (NORTH BIKE PATH)
STA. 75+00 TO STA. 76+28.57
STA. 76+61.03 TO STA. 77+76.38

SCALE: VERT. 1"=5'
HORIZ. 1"=50'

DATE: _____ DRAWN BY YOO
CHECKED BY DDL