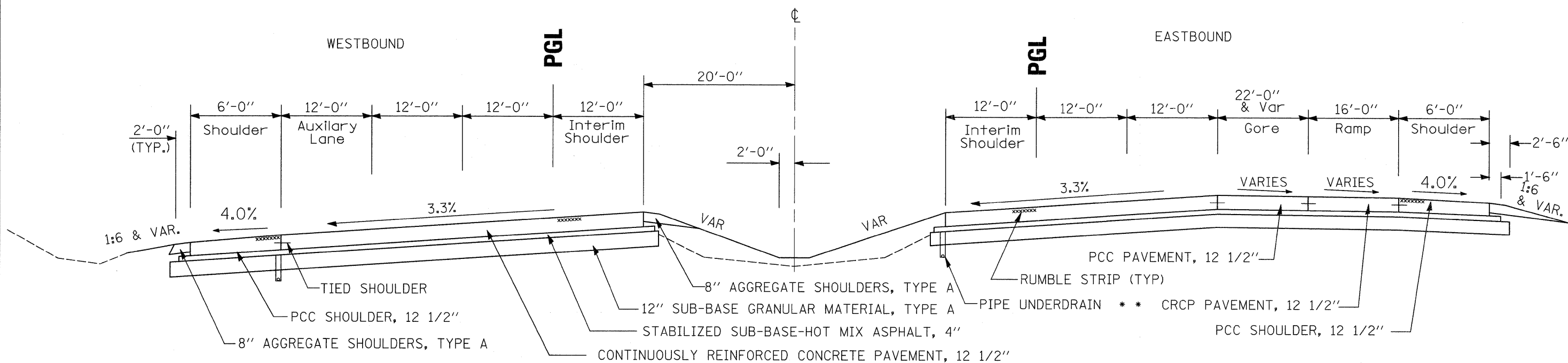


PROPOSED TYPICAL SECTION, W/AUXILIARY LANES

N.T.S.

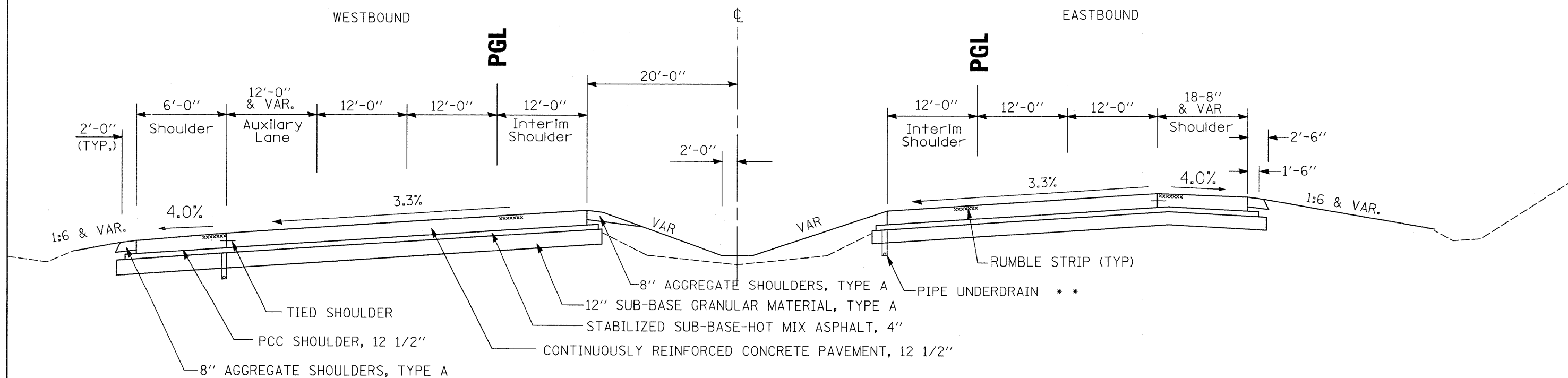
STA 85 + 64 TO STA 89 + 58



PROPOSED TYPICAL SECTION, SUPERELEVATION

N.T.S.

STA 89 + 58 TO STA 98 + 71



REVIS 2/23/09 ** AS SCHEDULED

FILE NAME =	USER NAME = grantpm	DESIGNED -	REVISED -	STATE OF ILLINOIS DEPARTMENT OF TRANSPORTATION	TYPICAL SECTIONS			F.A.I. RTE.	SECTION	COUNTY	TOTAL SHEETS	SHEET NO.
ct:\pwork\pwork\grantpm\dms34287\d084031typ.dgn	PLOT SCALE = 100.0000' / IN.	DRAWN -	REVISED -					80	(81-1) R-1	ROCK ISLAND	292	17
PLOT DATE = Wed Feb 11 15:33:31 2009	DATE -	CHECKED -	REVISED -		CONTRACT NO. 64933			FED. ROAD DIST. NO. [ILLINOIS] FED. AID PROJECT				
		DATE -	REVISED -		SCALE:	SHEET NO.	OF SHEETS	STA.	TO STA.			