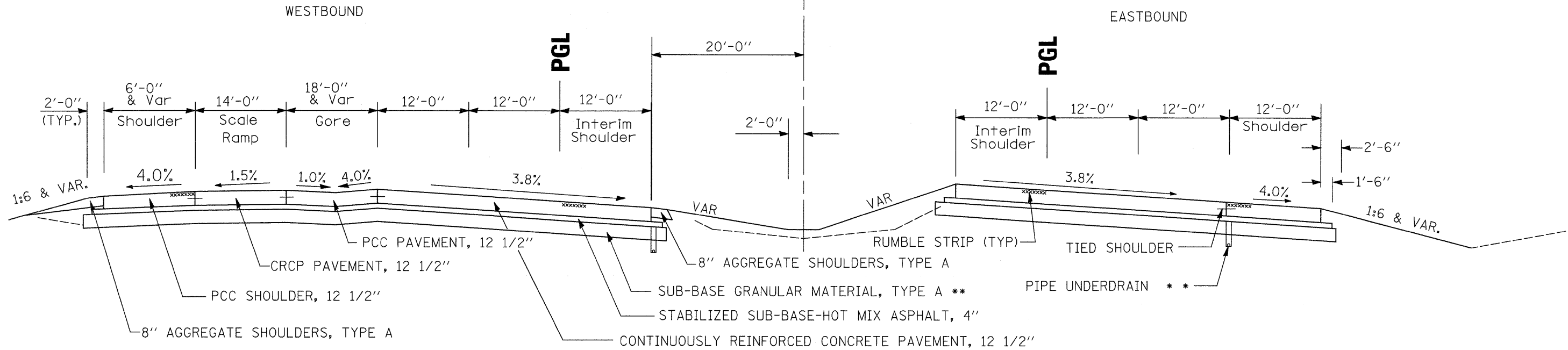


PROPOSED TYPICAL SECTION, SUPERELEVATION

N.T.S.

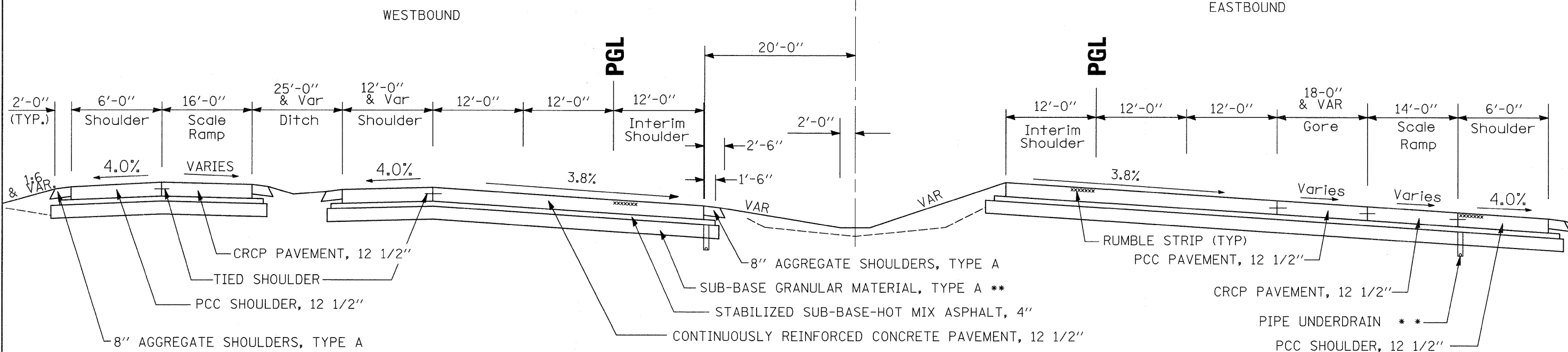
STA 110 + 43 TO STA 116 + 44



PROPOSED TYPICAL SECTION, SUPERELEVATION W/ RAMPS

N.T.S.

STA 116 + 44 TO STA 132 + 84



REVISIED SHEET \*\* AS SCHEDULED

FILE NAME =	USER NAME = grantpm	DESIGNED -	REVISED -	<b>STATE OF ILLINOIS DEPARTMENT OF TRANSPORTATION</b>	<b>TYPICAL SECTIONS</b>			F.A. RTE.	SECTION	COUNTY	TOTAL SHEETS	SHEET NO.		
ct:\pwwork\pwwork\grantpm\dms34287\d084031.dgn		DRAWN -	REVISED -		SCALE:	SHEET NO.	OF SHEETS	STA.	TO STA.	80	(81-1) R-1	ROCK ISLAND	292	19
PLOT SCALE = 100.0000' / IN.		CHECKED -	REVISED -											
PLOT DATE = Wed Feb 11 15:33:31 2009		DATE -	REVISED -											
												CONTRACT NO. 64933		