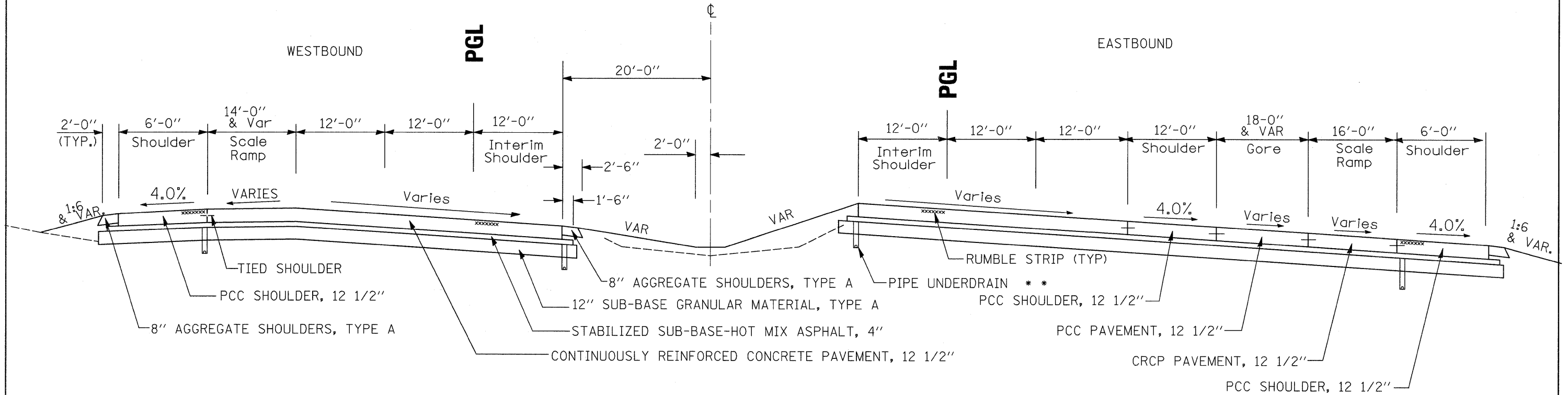


PROPOSED TYPICAL SECTION, SUPERELEVATION W/ RAMP

N.T.S.

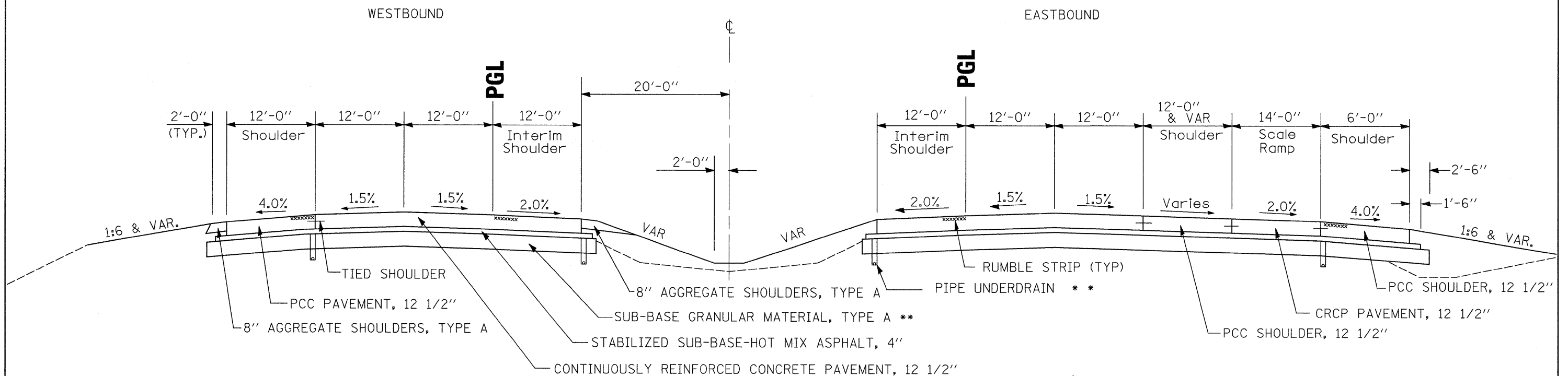
STA 153 + 00 TO STA 155 + 34



PROPOSED TYPICAL SECTION, NORMAL CROWN

N.T.S.

STA 155 + 34 TO STA 163 + 34



REVISÉD SHEET 2/23/09 ** AS SCHEDULED

FILE NAME =	USER NAME = grantpm	DESIGNED -	REVISED -	STATE OF ILLINOIS DEPARTMENT OF TRANSPORTATION	TYPICAL SECTIONS			F.A.I. RTE.	SECTION	COUNTY	TOTAL SHEETS	SHEET NO.
ct:\pwork\pwork\grantpm\dms34287\d08	03typ.dgn	DRAWN -	REVISED -					80	(81-1) R-1	ROCK ISLAND	292	21
	PLOT SCALE = 100.0000' / IN.	CHECKED -	REVISED -		SCALE: SHEET NO. OF SHEETS STA. TO STA.			CONTRACT NO. 64933				
	PLOT DATE = Wed Feb 11 15:33:32 2009	DATE -	REVISED -		FED. ROAD DIST. NO. [ILLINOIS] FED. AID PROJECT							