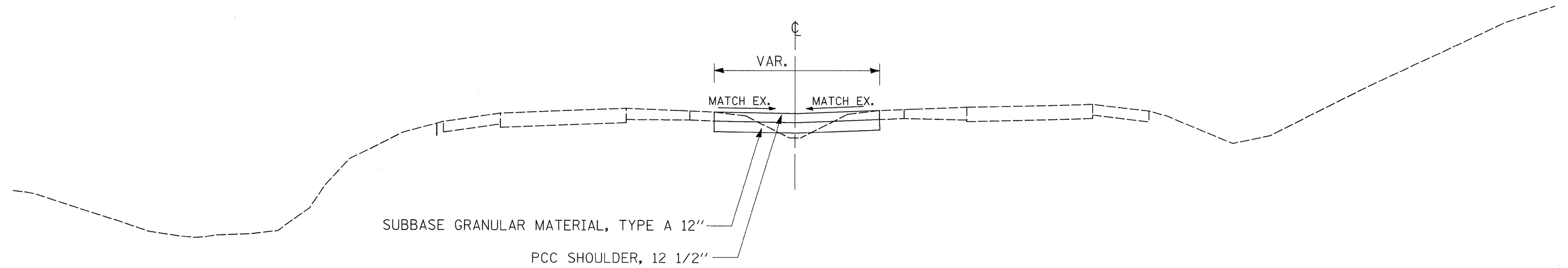


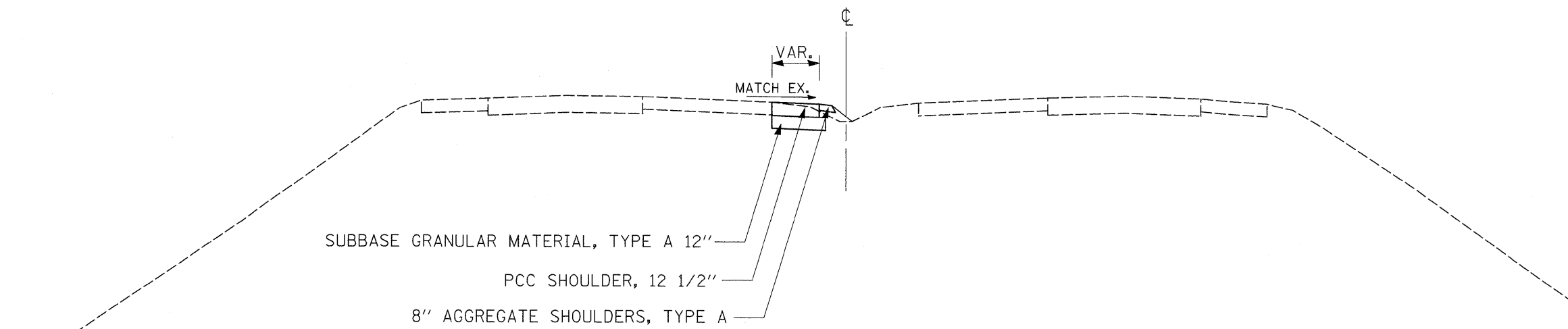
CROSS-OVER PAVEMENT WIDENING

STA 79 + 17 TO STA 81 + 86



CROSS-OVER PAVEMENT WIDENING

STA 179 + 96 TO STA 182 + 59



2 REVISIED SHEET 2/23/09

FILE NAME =	USER NAME = grantpm	DESIGNED -	REVISED -	STATE OF ILLINOIS DEPARTMENT OF TRANSPORTATION	TEMPORARY PAVEMENT	F.A.I. RTE.	SECTION	COUNTY	TOTAL SHEETS	SHEET NO.	
ct:\pw\work\pwsdot\grantpm\dms34287\d08403.tpp.dgn	PLOT SCALE = 100.0000' / IN.	DRAWN -	REVISED -			80	(81-1) R-1	ROCK ISLAND	292	35	
PLOT DATE = Wed Feb 11 15:33:34 2009	DATE -	CHECKED -	REVISED -			CONTRACT NO. 64933					
						SCALE:	SHEET NO.	OF	SHEETS	STA.	TO STA.
					FED. ROAD DIST. NO. ILLINOIS FED. AID PROJECT						