

BEVELED PIPE & GUARD DETAIL

GENERAL NOTES:

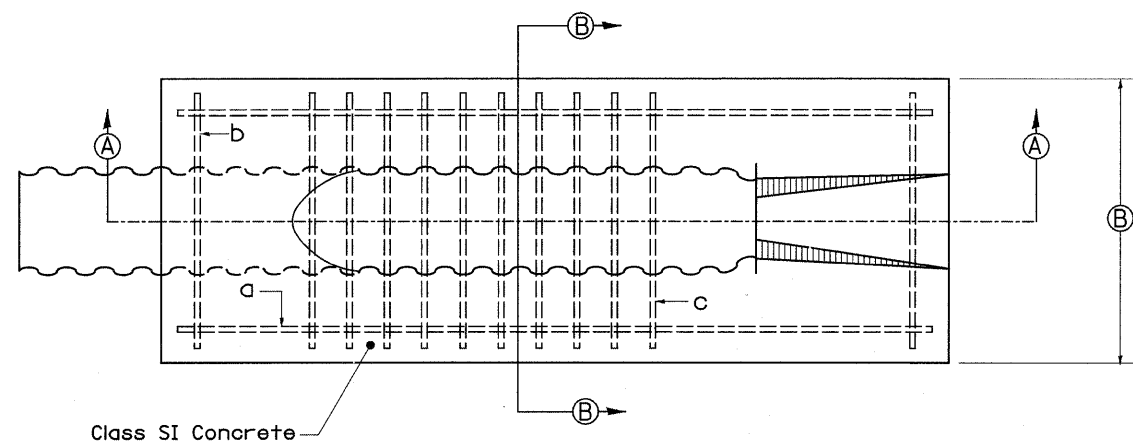
Details shown hereon are for the construction of beveled pipe and guard. Alternate designs, methods of construction or materials may be submitted to the Engineer for approval. All methods of construction and materials involved shall conform to current Standard Specifications.

Reinforcing steel used in construction of "Beveled Pipe and Guard" shall be deformed bars meeting the requirements of Article 1006.10 of the Standard Specifications. All steel bars shall be hot-dip galvanized in accordance with ASTM A 123 specifications.

Concrete used in construction of the beveled pipe and guard shall be Class "SI" Concrete.

The corrugated metal pipe shall be cut to fit the 1:8 foreslope. Slots shall be cut into the C.M.P. for placement of the No. 25 (8) bars. After the foreslope has been placed, the No. 25 (8) bars shall be fitted into the slots cut in the C.M.P. so they will be in proper position when the concrete collar is poured.

This work shall be paid for at the contract unit price per Each for "Beveled Pipe and Guard", as shown hereon and as directed by the Engineer.

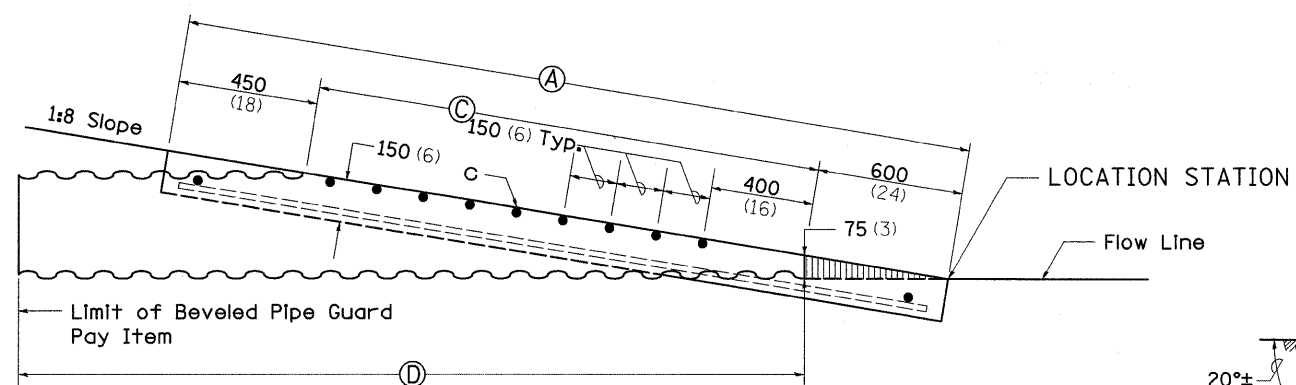


PLAN VIEW

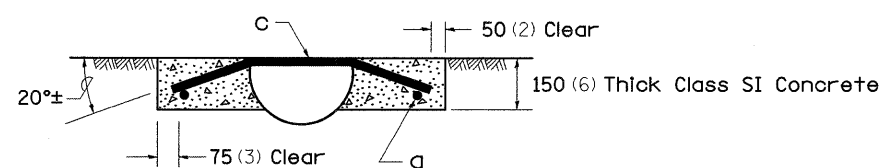
Mark Req'd	Size	Length	No.
a	15 (5)	2750 (110)	2
b	15 (5)	800 (32)	2
c	25 (8)	850 (34)	10

Mark Req'd	Size	Length	No.
a	15 (5)	3400 (136)	2
b	15 (5)	875 (35)	2
c	25 (8)	925 (37)	14

Mark Req'd	Size	Length	No.
a	15 (5)	4050 (162)	2
b	15 (5)	950 (38)	2
c	25 (8)	1000 (40)	18



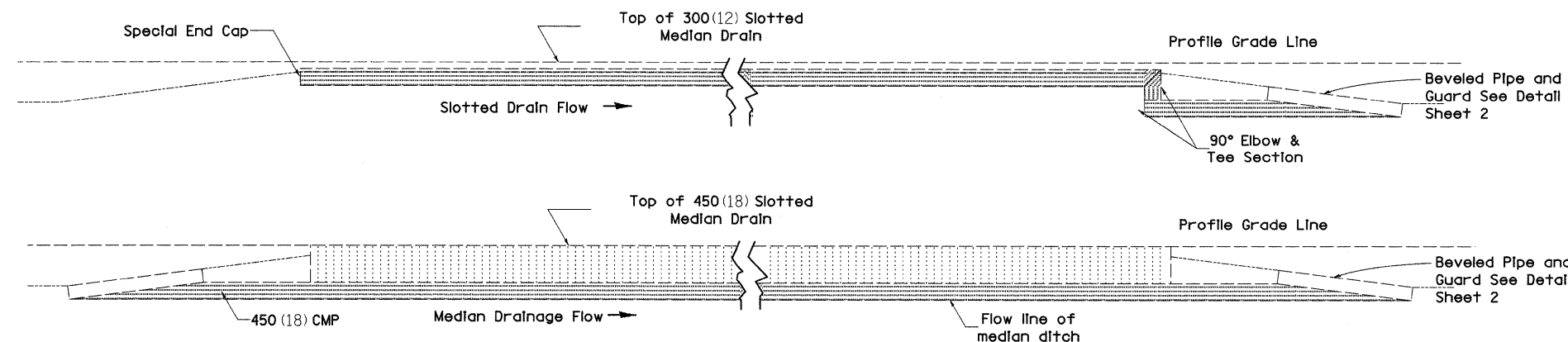
SECTION A-A



SECTION B-B

PIPE SIZE	A	B	C	D
305 (12)	2.9m (9'-6")	900 (36)	1.83m (6')	3m (10')
381 (15)	3.6m (11'-8")	975 (39)	2.5m (8'-2")	3.6m (12')
457 (18)	4.2m (13'-10")	1050 (42)	3.15m (10'-4")	4.5m (14'-10")

TYPICAL SECTION THRU CENTERLINE OF MEDIAN CROSSOVER



ALL DIMENSIONS ARE IN MILLIMETERS (INCHES) UNLESS OTHERWISE NOTED.

2 SHEET 2-23-09
ADDED

FILE NAME =	USER NAME = grantpm	DESIGNED -	REVISED - 1-15-08
gs:\pw_work\pws\d01\grantpm\dms34287\d08\23spl.dgn		DRAWN -	REVISED -
PLOT SCALE = 50.0000' / IN.		CHECKED -	REVISED -
PLOT DATE = Wed Feb 11 14:51:10 2009		DATE -	REVISED -

STATE OF ILLINOIS
DEPARTMENT OF TRANSPORTATION

REGION 2 / DISTRICT 2 STANDARD

F.A.I. RTE.	SECTION	COUNTY	TOTAL SHEETS	SHEET NO.
80	(81-1R-1)	ROCK ISLAND	292	219B
FED. ROAD DIST. NO. (ILLINOIS) FED. AID PROJECT			CONTRACT NO. 64933	