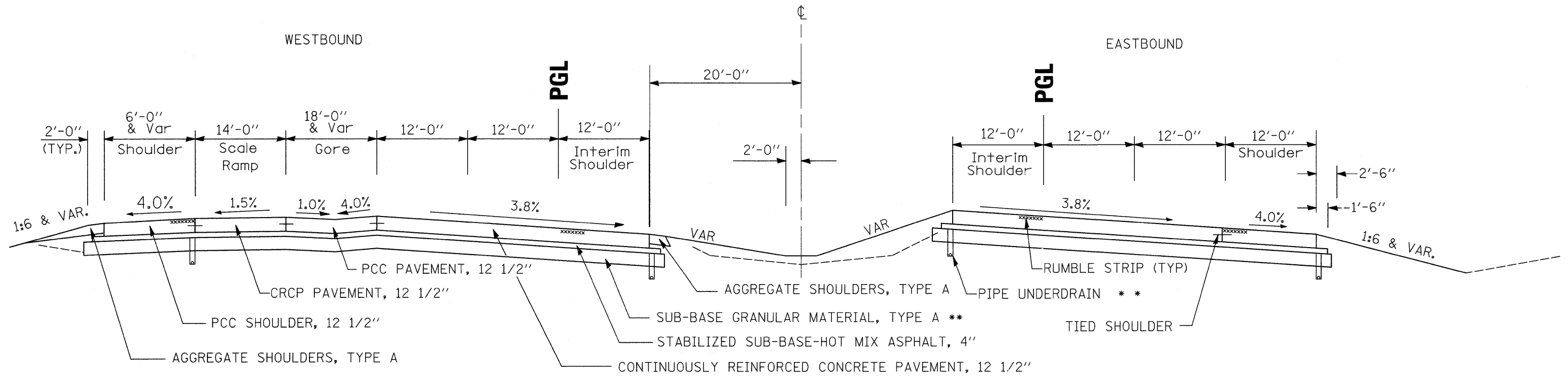


PROPOSED TYPICAL SECTION, SUPERELEVATION

N.T.S.

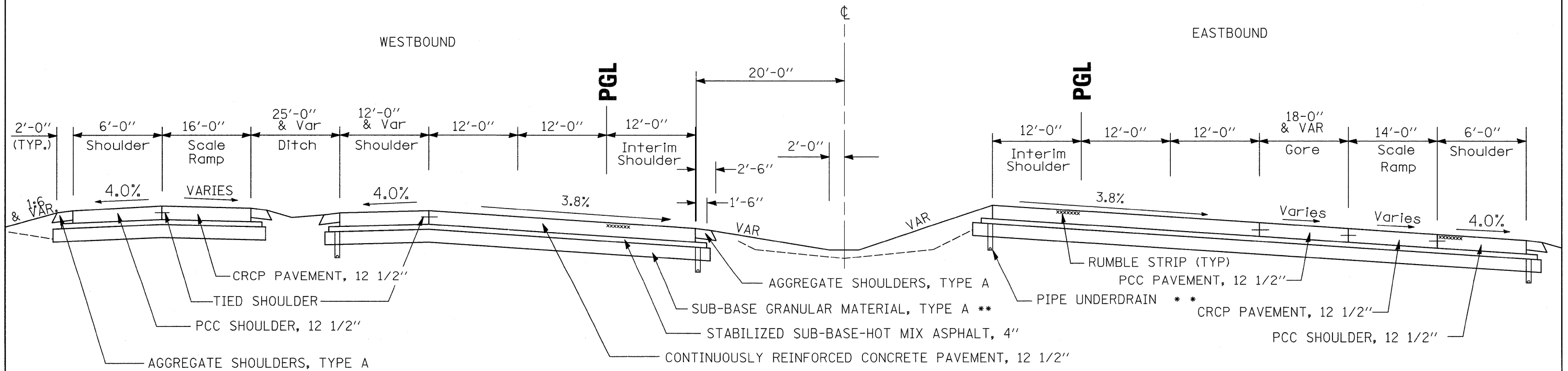
STA 110 + 43 TO STA 116 + 44



PROPOSED TYPICAL SECTION, SUPERELEVATION W/ RAMP

N.T.S.

STA 116 + 44 TO STA 132 + 84



** AS SCHEDULED

FILE NAME =	USER NAME = grantpm	DESIGNED -	REVISED -	STATE OF ILLINOIS DEPARTMENT OF TRANSPORTATION	TYPICAL SECTIONS			F.A. RTE.	SECTION	COUNTY	TOTAL SHEETS	SHEET NO.
01\pwork\pwork\grantpm\dms34287\d08	03typ.dgn	DRAWN -	REVISED -					30	(81-1) R-1	ROCK ISLAND	292	19
PLOT SCALE = 100.0000' / IN.	CHECKED -	REVISED -	REVISED -					CONTRACT NO. 64933				
PLOT DATE = Mon Dec 15 09:12:01 2008	DATE -	REVISED -	REVISED -					ILLINOIS FED. AID PROJECT				
				SCALE:	SHEET NO.	OF SHEETS	STA.	TO STA.				