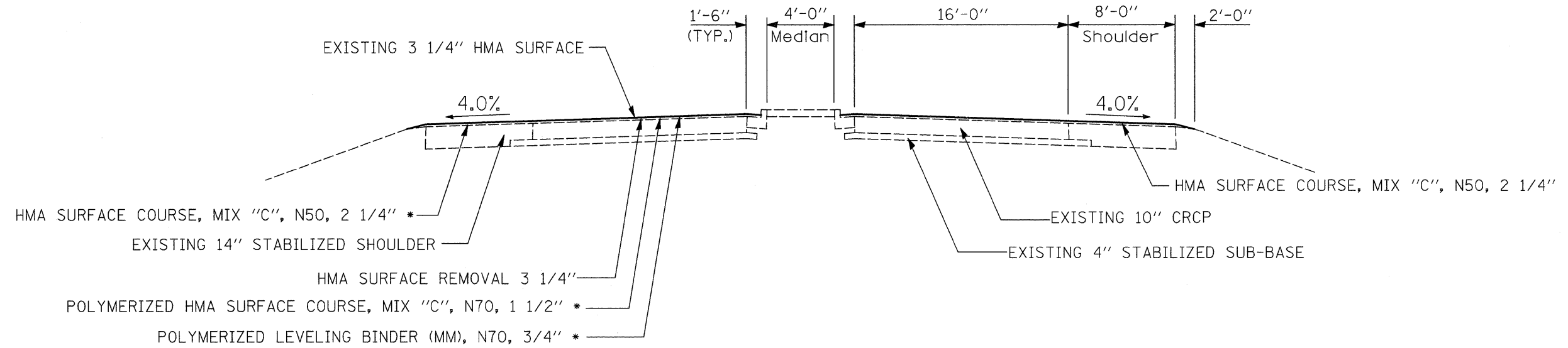
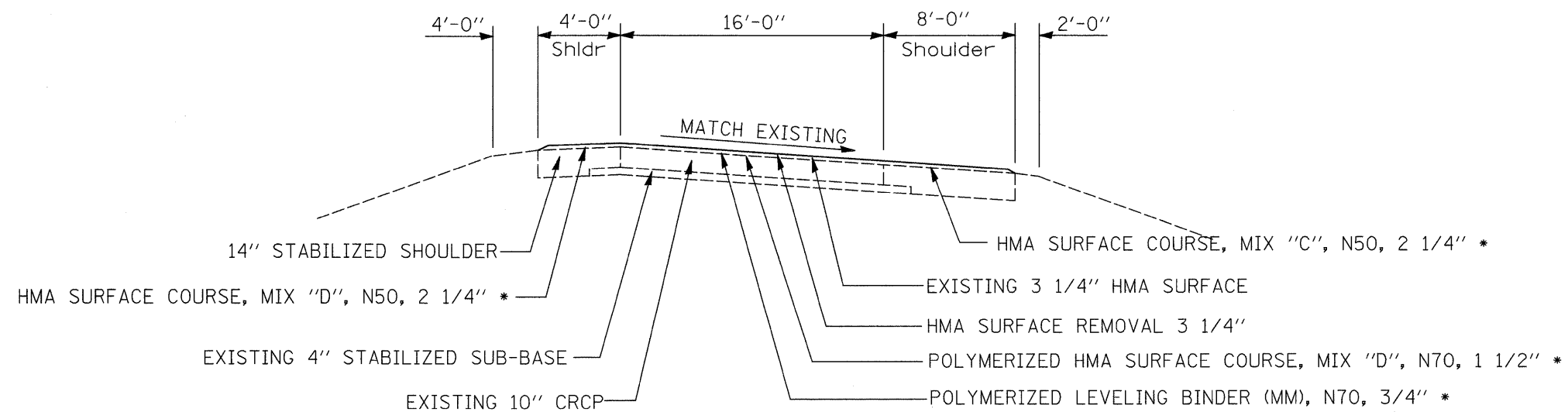


PROPOSED TYPICAL SECTION, IL 84 RAMP A & B

NORMAL SECTION



SUPERELEVATED SECTION



* 112 LBS/SQ. YD-IN/TON

FILE NAME =	USER NAME = grantpm	DESIGNED -	REVISED -	STATE OF ILLINOIS DEPARTMENT OF TRANSPORTATION	TYPICAL SECTIONS				F.A. RTE.	SECTION	COUNTY	TOTAL SHEETS	SHEET NO.
cs:\pwork\pwork\grantpm\dms34287\d08403typ.dgn		DRAWN -	REVISED -		80	(81-1) R-1	ROCK ISLAND	292	24				
PLOT SCALE = 1/8" = 1' IN.		CHECKED -	REVISED -		SCALE: SHEET NO. OF SHEETS STA. TO STA.				CONTRACT NO. 64933				
PLOT DATE = Mon Dec 15 09:12:04 2008		DATE -	REVISED -		FED. ROAD DIST. NO. ILLINOIS FED. AID PROJECT								