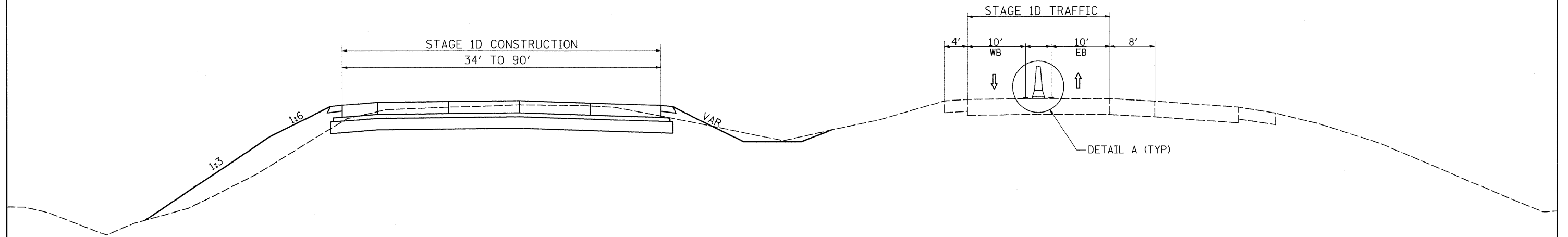


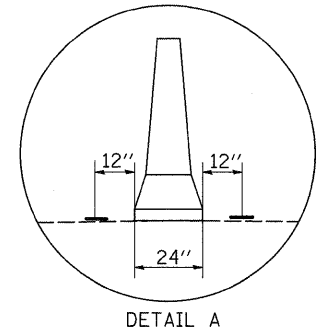
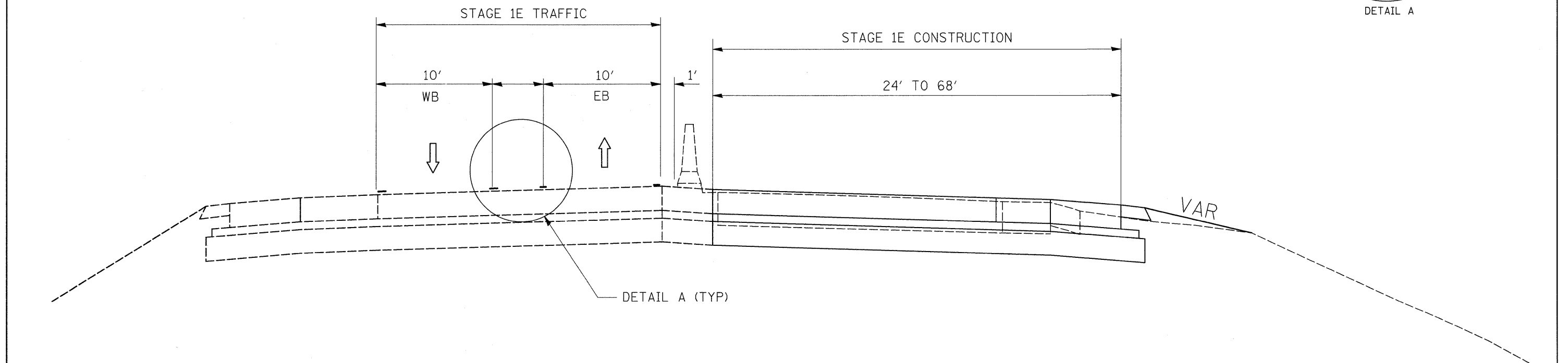
### STAGE 1D

STA 83+05 - STA 177+75



### STAGE 1E

STA 51+52 - STA 83+55



FILE NAME =	USER NAME = grantpm	DESIGNED -	REVISED -	<b>STATE OF ILLINOIS DEPARTMENT OF TRANSPORTATION</b>	<b>STAGING TYPICALS</b>				F.A. RTE.	SECTION	COUNTY	TOTAL SHEETS	SHEET NO.
c:\pwork\pwork\grantpm\dms34287\d08403.typ.dgn		DRAWN -	REVISED -		80	(81-1) R-1	ROCK ISLAND	292	28				
PLOT SCALE = 50.0000' / IN.		CHECKED -	REVISED -		CONTRACT NO. 64933								
PLOT DATE = Mon Dec 15 09:12:06 2009		DATE -	REVISED -		SCALE:	SHEET NO.	OF SHEETS	STA.	TO STA.	FED. ROAD DIST. NO.	ILLINOIS FED. AID PROJECT		