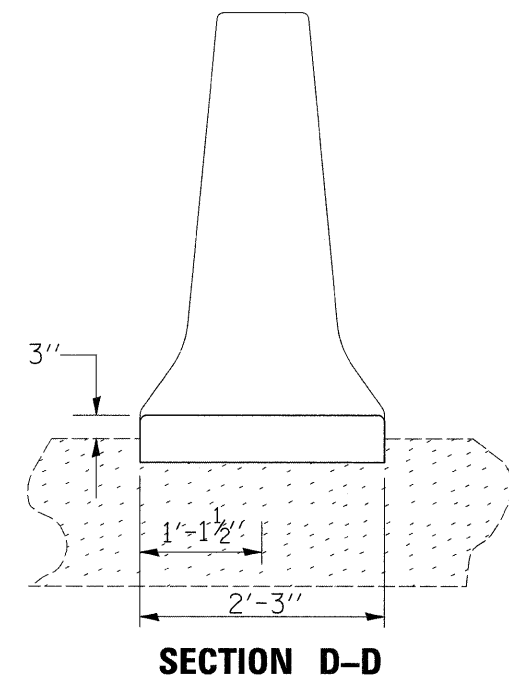
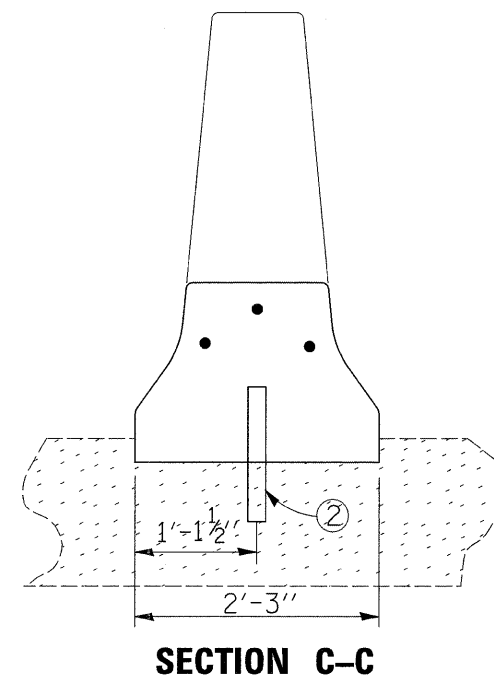
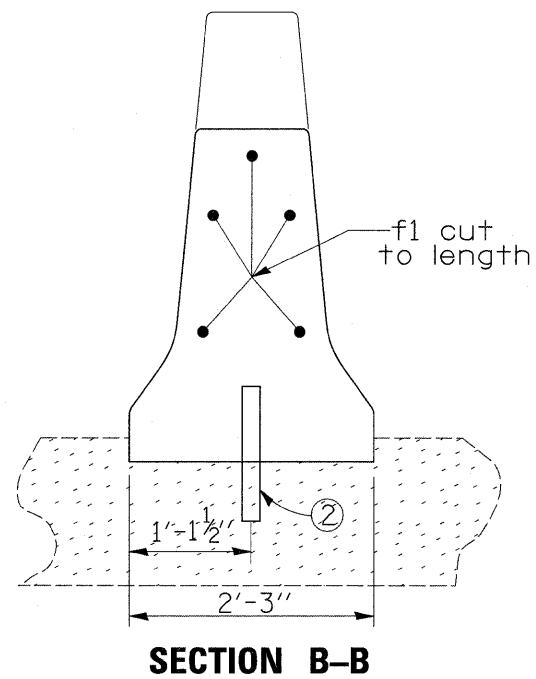
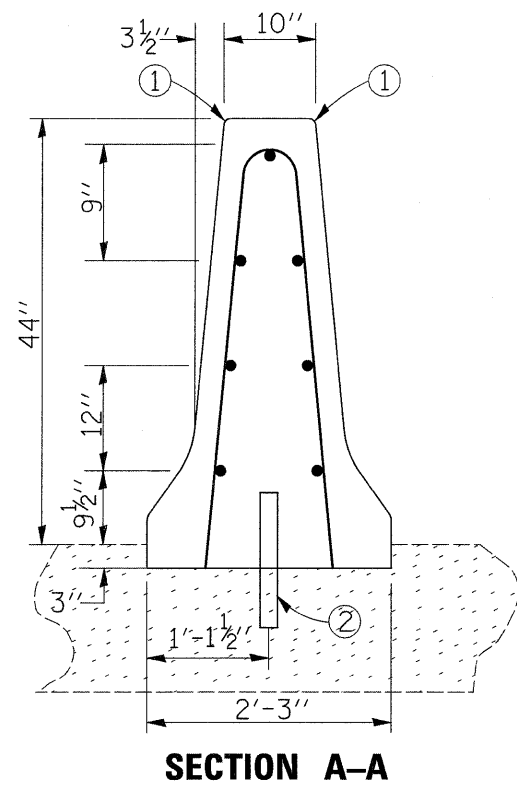


**GENERAL NOTES:**

- ① All exposed corners are to be filleted with a  $\frac{3}{4}$ " dressed and beveled strip.
- ② 1 inch diameter deformed bars or sufficient length to ensure 6 inch minimum embedment in rail and supporting surface. Bars shall be either installed in supporting surface when placed or installed in drilled holes using polymer grout or hydraulic cement grout. Dower location may be adjusted 6 inches to avoid bridge approach reinforcement.
- ③ This work shall be paid for at the contract unit price per foot as Concrete Barrier Wall (Special).



FILE NAME =	USER NAME = grantpm	DESIGNED -	REVISED -	<b>STATE OF ILLINOIS DEPARTMENT OF TRANSPORTATION</b>	<b>CONCRETE MEDIAN BARRIER TAPERED END SECTION</b>			F.A.I. RTE.	SECTION	COUNTY	TOTAL SHEETS	SHEET NO.
ct:\pw_work\pwwdot\grantpm\dms34287\d088	@3spl.dgn	DRAWN -	REVISED -					80	(81-1) R-1	ROCK ISLAND	292	201
PLOT SCALE = 100.0000' / IN.		CHECKED -	REVISED -		SCALE: SHEET NO. OF SHEETS STA. TO STA.			CONTRACT NO. 64933				
PLOT DATE = Mon Dec 15 07:55:10 2008		DATE -	REVISED -		FED. ROAD DIST. NO. ILLINOIS FED. AID PROJECT							