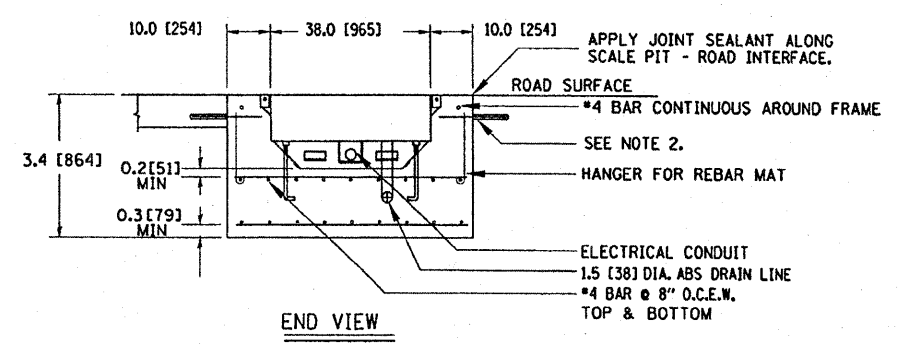
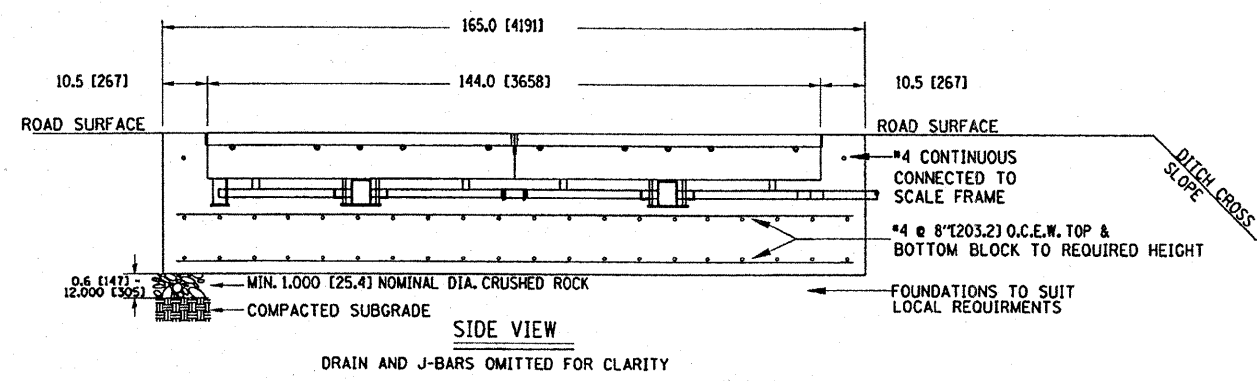
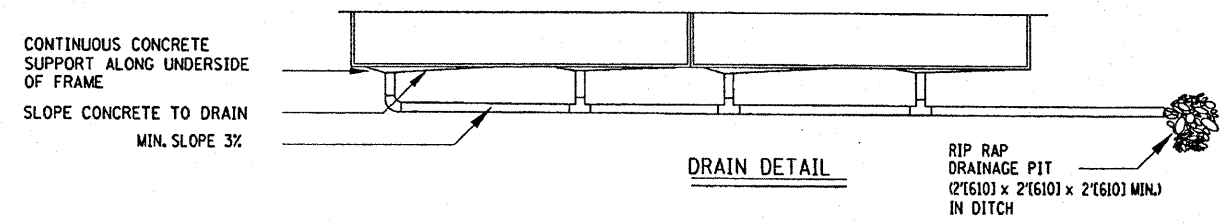


- NOTES:**
1. REINFORCEMENTS AND DOWELS AS SHOWN ARE MINIMUM REQUIREMENTS AND MAY BE SUPERCEDED BY STATE CONSTRUCTION CODES.
  2. FOR PCC PAVEMENTS INSTALL 5/8" (161.3) x 16" (406.4) EPOXY COATED DOWELS IN 3/4" (19.0) x 8" (203.2) DEEP HOLE @ 16" (406.4) O.C. SECURE DOWEL INTO HOLE WITH EPOXY. ENSURE DOWELS ARE EXACTLY 90% TO LONGITUDINAL PAVEMENT DIRECTION BOTH VERTICALLY AND HORIZONTALLY.



FILE NAME =	USER NAME = grantpm	DESIGNED -	REVISED -	<b>STATE OF ILLINOIS DEPARTMENT OF TRANSPORTATION</b>	<b>WEIGH-IN-MOTION SCALE DETAILS</b>	F.A.I. RTE.	SECTION	COUNTY	TOTAL SHEETS	SHEET NO.	
ca:\pw\work\pwsdot\grantpm\dms34287\d084	03apl.dgn	DRAWN -	REVISED -			80	(81-1) R-1	ROCK ISLAND	292	206	
	PLOT SCALE = 50,0000 ' / IN.	CHECKED -	REVISED -			CONTRACT NO. 64933					
	PLOT DATE = Wed Oct 08 08:34:43 2009	DATE -	REVISED -			FED. ROAD DIST. NO. [ILLINOIS] FED. AID PROJECT					
						SCALE:	SHEET NO.	OF	SHEETS	STA. TO STA.	