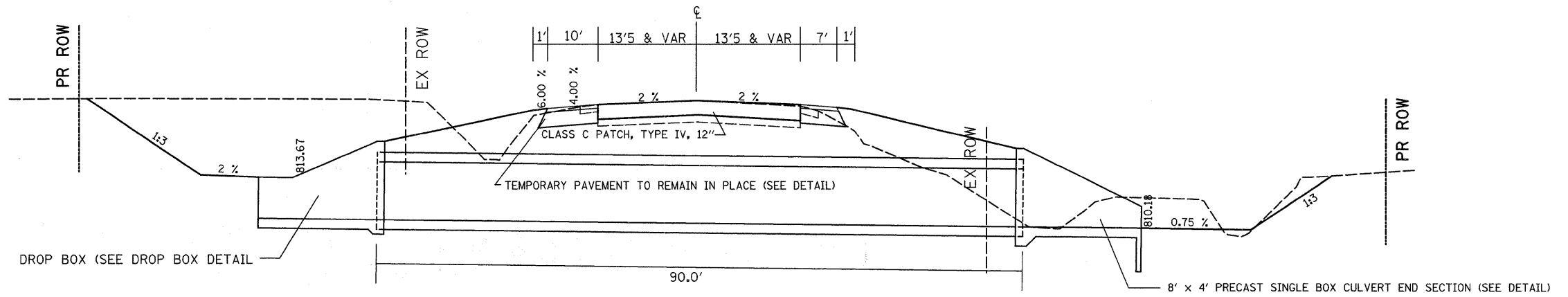


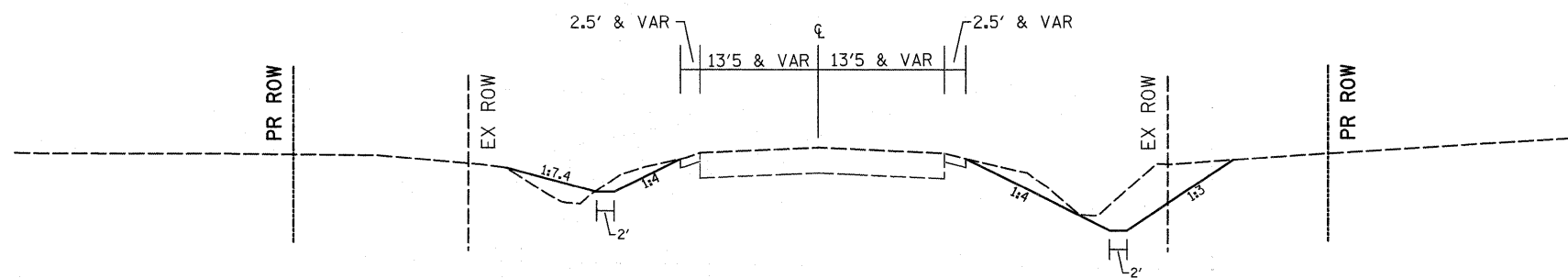
# TYPICAL SECTIONS

2472+75

Section Through 8' X 4' Precast Box Culvert



2477+00



REVISSED SHEET 2-24-09 TEMPORARY PAVEMENT TO REMAIN IN PLACE

FILE NAME =	USER NAME = fordjd	DESIGNED -	REVISED -	<b>STATE OF ILLINOIS DEPARTMENT OF TRANSPORTATION</b>	<b>IL 251</b>	F.A.S. RTE.	SECTION	COUNTY	TOTAL SHEETS	SHEET NO.	
c:\pwork\pwork\fordjd\ms33877\1264407-sht-typicol.dgn		DRAWN -	REVISED -			1177	111T	LASALLE	59	6	
PLOT SCALE = 50,0000 ' / IN.		CHECKED -	REVISED -			CONTRACT NO. 64A07					
PLOT DATE = Fri Feb 20 12:28:52 2009		DATE -	REVISED -			SCALE: SHEET NO. OF SHEETS STA. TO STA. FED. ROAD DIST. NO. ILLINOIS FED. AID PROJECT					