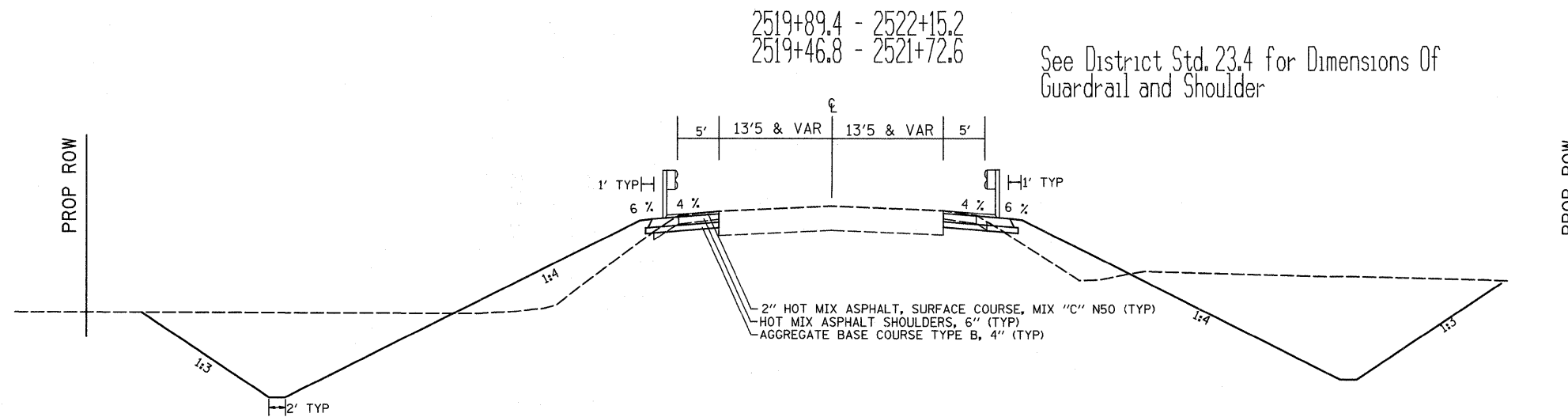
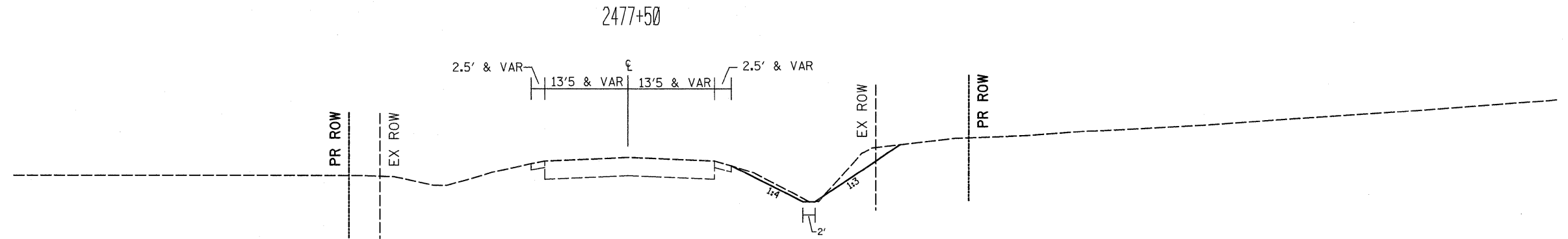


TYPICAL SECTIONS



HOT MIX ASPHALT, SURFACE COURSE, MIX "C" N50 RATE OF APPLICATION = 112 lb/sq. yd./in.
HOT MIX ASPHALT SHOULDERS, 6" RATE OF APPLICATION = 112 lb/sq. yd./in.
ALL TEMPORARY PAVEMENT MARKINGS ARE TYPE III
LOCATION TO BE DETERMINED FROM THE SCHEDULE OF QUANTITIES

REVISIED SHEET 2-24-09

FILE NAME =	USER NAME = fordjd	DESIGNED -	REVISED -	STATE OF ILLINOIS DEPARTMENT OF TRANSPORTATION	IL 251	F.A.S. RTE.	SECTION	COUNTY	TOTAL SHEETS	SHEET NO.	
o:\pwork\pwork\fordjd\dms33877\0264607-ah-typical.dgn		DRAWN -	REVISED -			1177	111T	LASALLE	59	7	
PLOT SCALE = 50.0000' / IN.		CHECKED -	REVISED -			SCALE: SHEET NO. OF SHEETS STA. TO STA.		CONTRACT NO. 64A07			
PLOT DATE = Fri Feb 20 12:20:52 2009		DATE -	REVISED -			FED. ROAD DIST. NO. ILLINOIS FED. AID PROJECT					