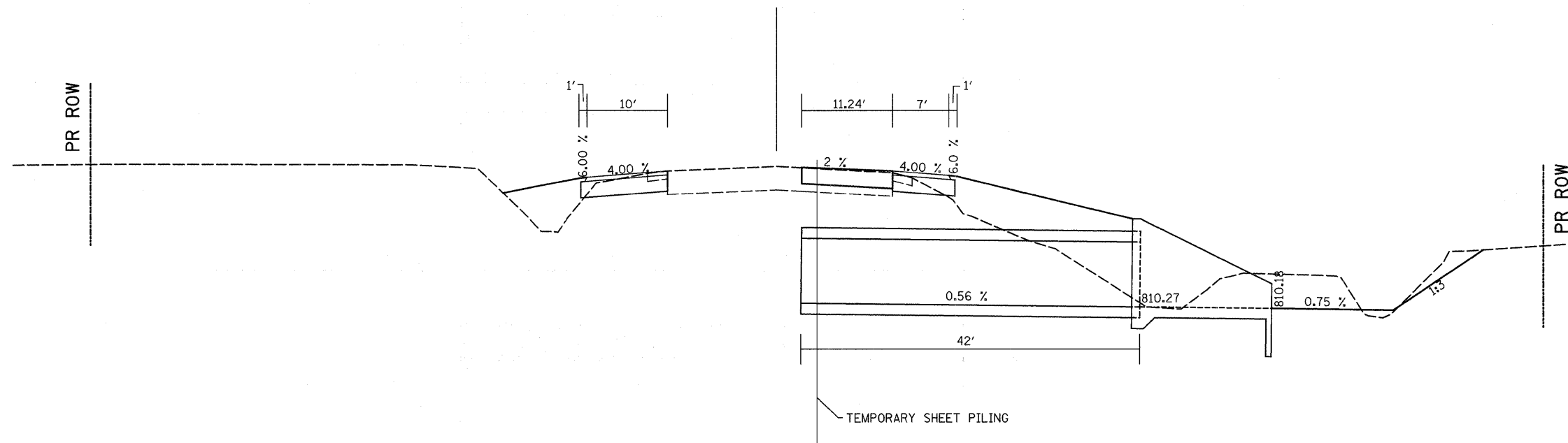


STAGING TYPICAL SECTIONS

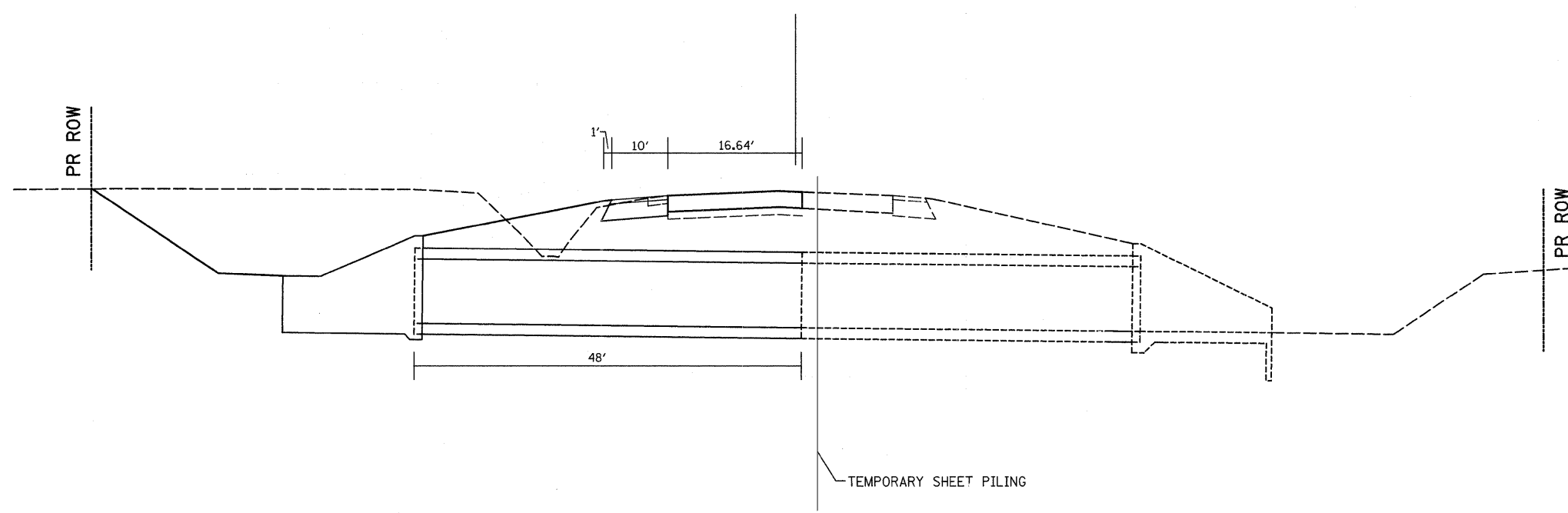
2472+75

STAGE 1 SECTION THROUGH CULVERT



2472+75

STAGE 2 SECTION THROUGH CULVERT



REVISIED SHEET 2-24-09

FILE NAME =	USER NAME = fordjd	DESIGNED -	REVISED -	STATE OF ILLINOIS DEPARTMENT OF TRANSPORTATION	IL 251	F.A.S. RTE.	SECTION	COUNTY	TOTAL SHEETS	SHEET NO.	
cr\pw\work\pw\dot\fordjd\dm\33877\1264407-sht-typicol.dgn		DRAWN -	REVISED -			1177	111T	LASALLE	59	12	
PLOT SCALE = 50.0000' / IN.		CHECKED -	REVISED -			CONTRACT NO. 64A07					
PLOT DATE = Fri Feb 20 12:28:53 2009		DATE -	REVISED -			ILLINOIS FED. AID PROJECT					
SCALE: SHEET NO. OF SHEETS STA. TO STA.											