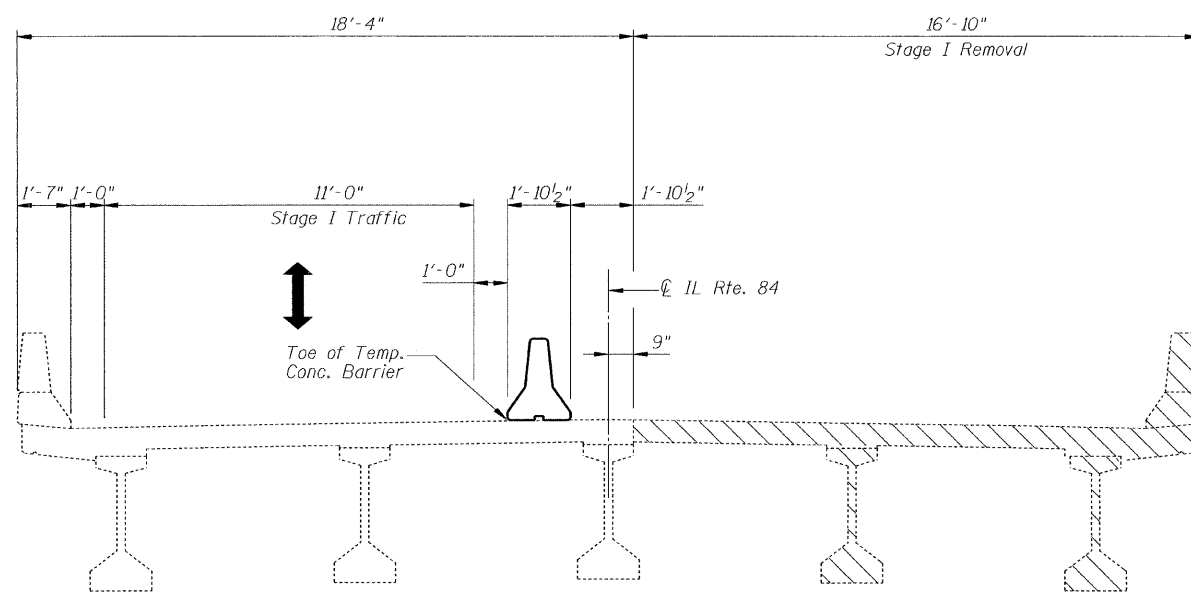


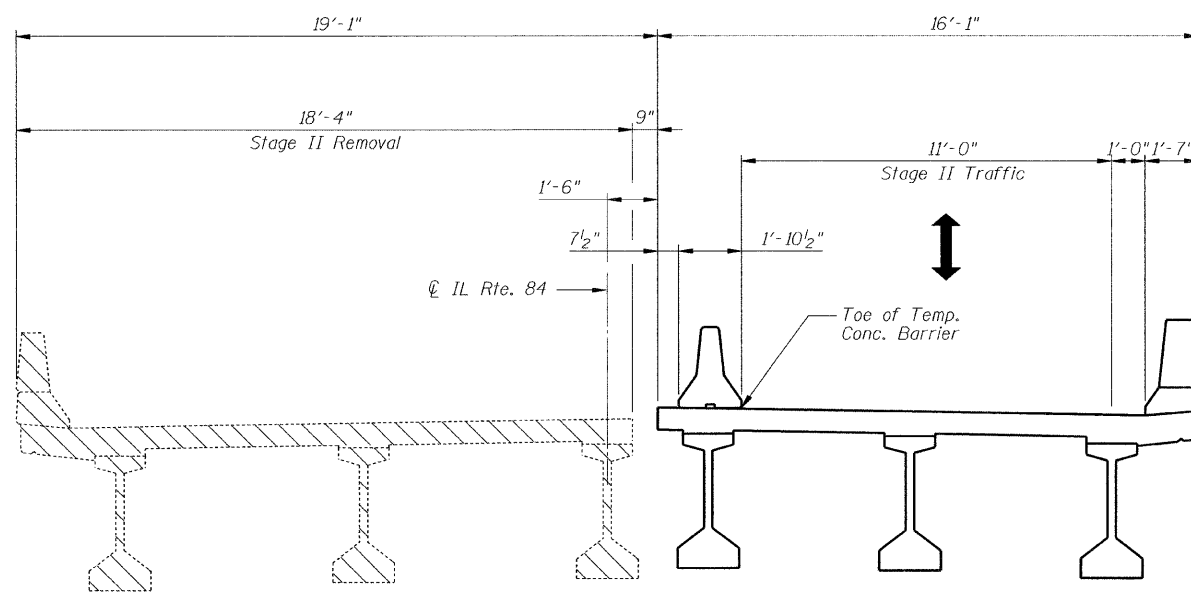
ROUTE NO.	SECTION	COUNTY	TOTAL SHEETS	SHEET NO.
308	103C-1BRD	Jo Daviess	62	26
FED. ROAD DIST.	ILLINOIS	FED. AID PROJECT-		

SHEET NO. 3 OF 26 SHEETS

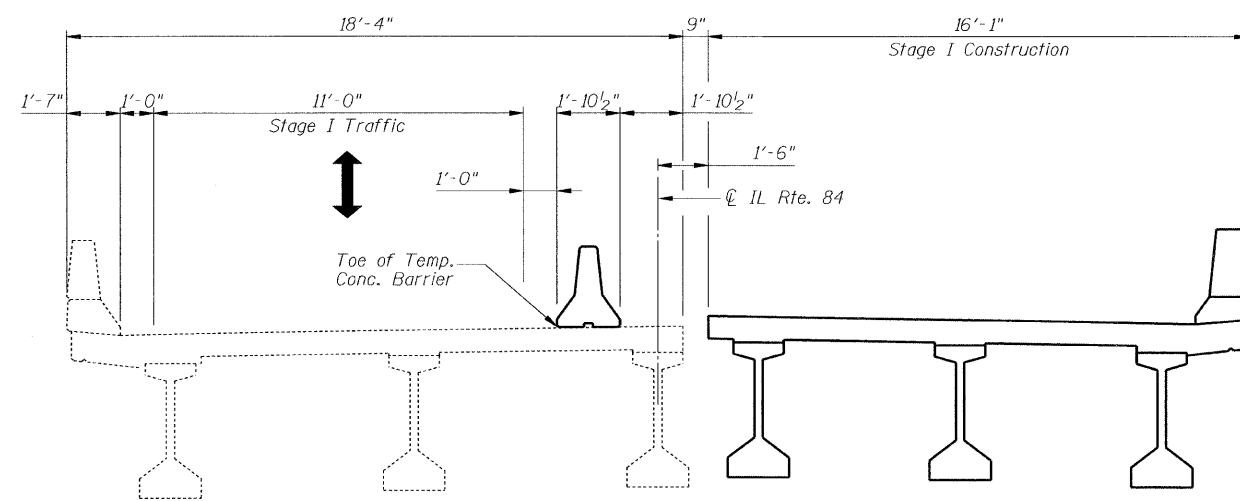
Contract # 64C03



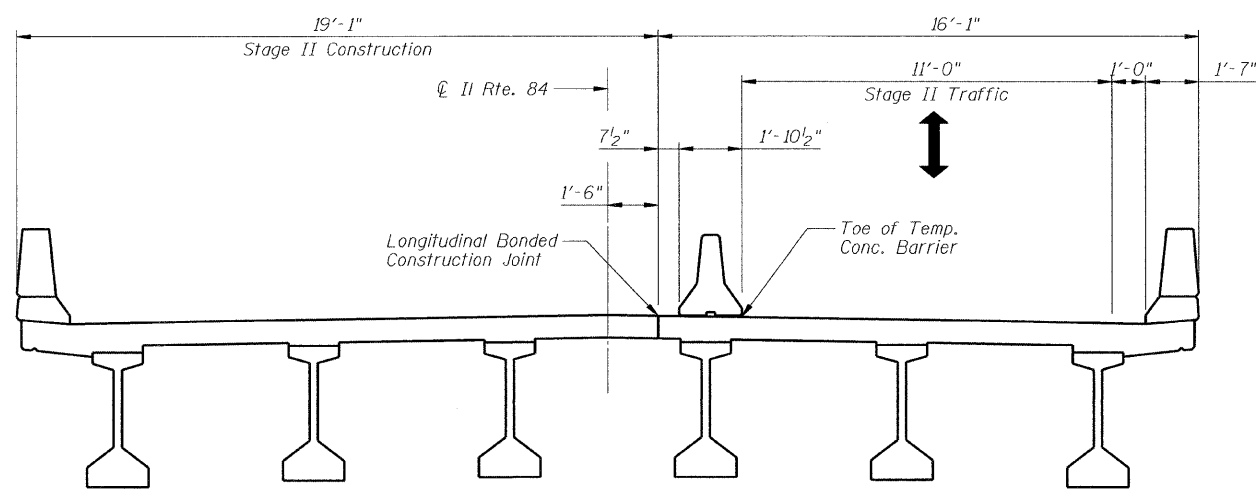
**STAGE I REMOVAL**  
(Looking North)



**STAGE II REMOVAL**  
(Looking North)



**STAGE I CONSTRUCTION**  
(Looking North)



**STAGE II CONSTRUCTION**  
(Looking North)

DESIGNED	J.Z.
CHECKED	S.D.H.
DRAWN	M.S.M.
CHECKED	J.Z.

**CONSTRUCTION STAGING**  
IL Route 84 over Irish Hollow Creek  
F.A.P. RTE 308, SECTION (103C-1BR)D  
JO DAVIESS COUNTY  
STATION 449+62.06  
DATE: 12-11-08 S.N. 043-0037  
GRAEF, ANHALT, SCHLOEMER & ASSOCIATES INC  
CHICAGO ILLINOIS

C:\pba2008\pba1\2008-300\00\043-0037-sht3.dgn  
 12/12/2008