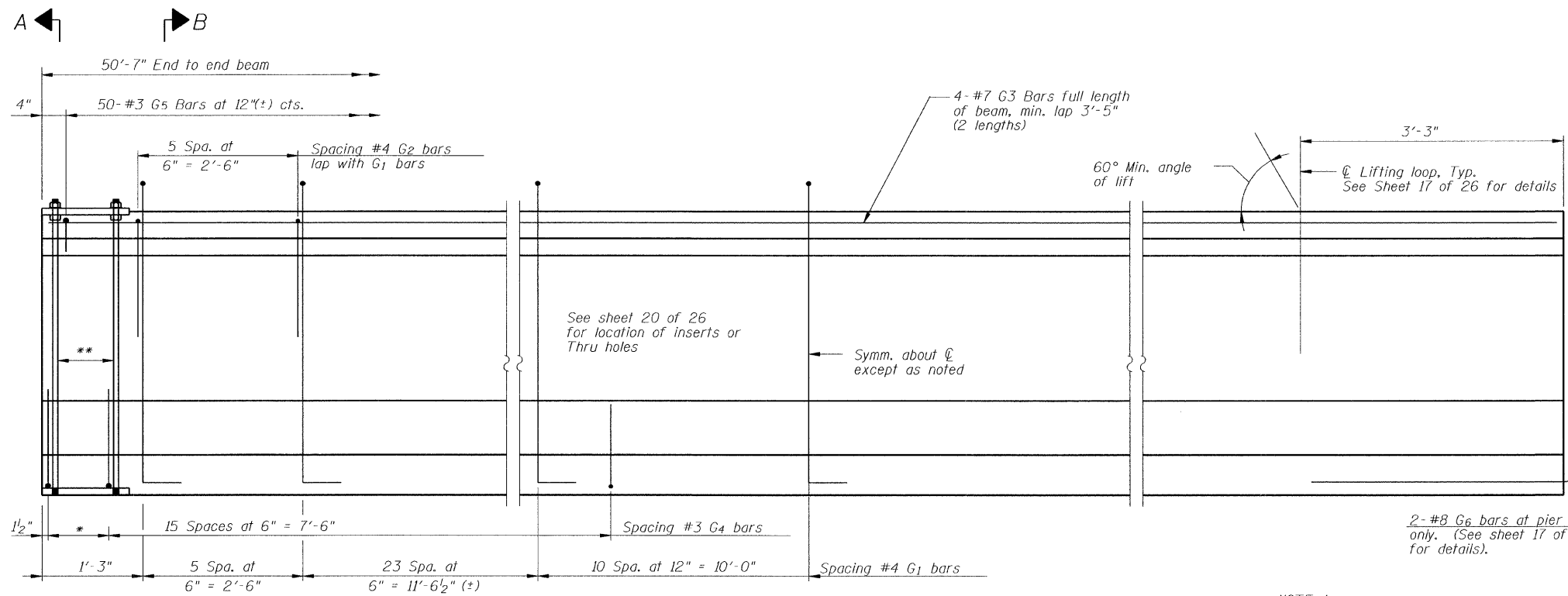


Contract # 64C03

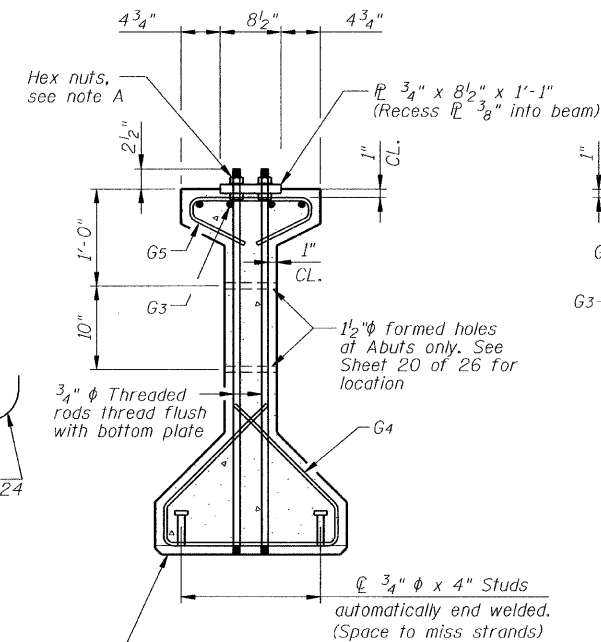


ELEVATION OF BEAMS 1 THRU 6- SPAN 1
(Showing reinforcement & dimensions)

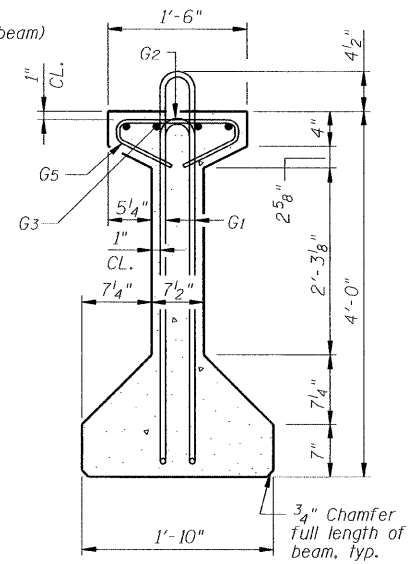
* 3 Spaces at 3" = 9"
** 4- 3/4" Threaded dowel rods at 3" cts., each face.

NOTE A:
Hex nuts (top and bottom) with lock washers (top). Only tighten sufficiently to compress lock washers.

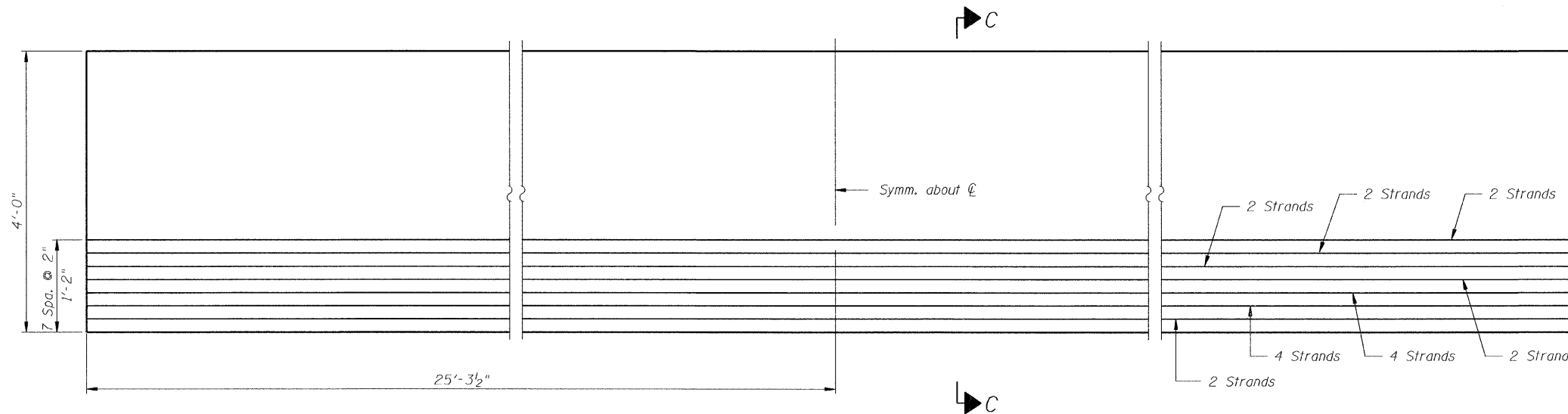
1" x 1'-3" x 1'-10" (Bevel to match chamfer)



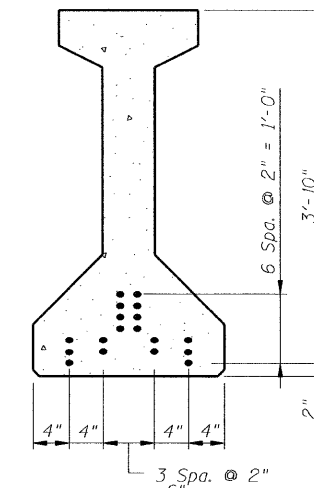
SECTION A-A



SECTION B-B



ELEVATION OF BEAM
(Showing prestressing steel)



SECTION C-C

BAR LIST
ONE BEAM ONLY

| BAR | NO. | SIZE | LENGTH | SHAPE |
|-----|-----|------|--------|-------|
| G1 | 77 | #4 | 9'-6" | ∩ |
| G2 | 12 | #4 | 7'-11" | ∩ |
| G3 | 8 | #7 | 27'-2" | — |
| G4 | 38 | #3 | 5'-3" | ∩ |
| G5 | 50 | #3 | 2'-9" | ∩ |
| G6 | 2 | #8 | 3'-9" | ∩ |

Notes:

See sheet 17 of 26 for additional details and bill of material. Required release strength f'_{ci} , shall be 5,000 Psi.

| | |
|----------|--------|
| DESIGNED | J.Z. |
| CHECKED | J.R.S. |
| DRAWN | M.S.M. |
| CHECKED | J.Z. |

BEAM DETAILS, SPAN 1

IL Route 84 over Irish Hollow Creek
F.A.P. RTE 308, SECTION (103C-IBRD)
JO DAVIESS COUNTY
STATION 449+62.06
DATE: 12-11-08 S.N. 043-0037

GRAEF, ANHALT, SCHLOEMER & ASSOCIATES INC
CHICAGO ILLINOIS