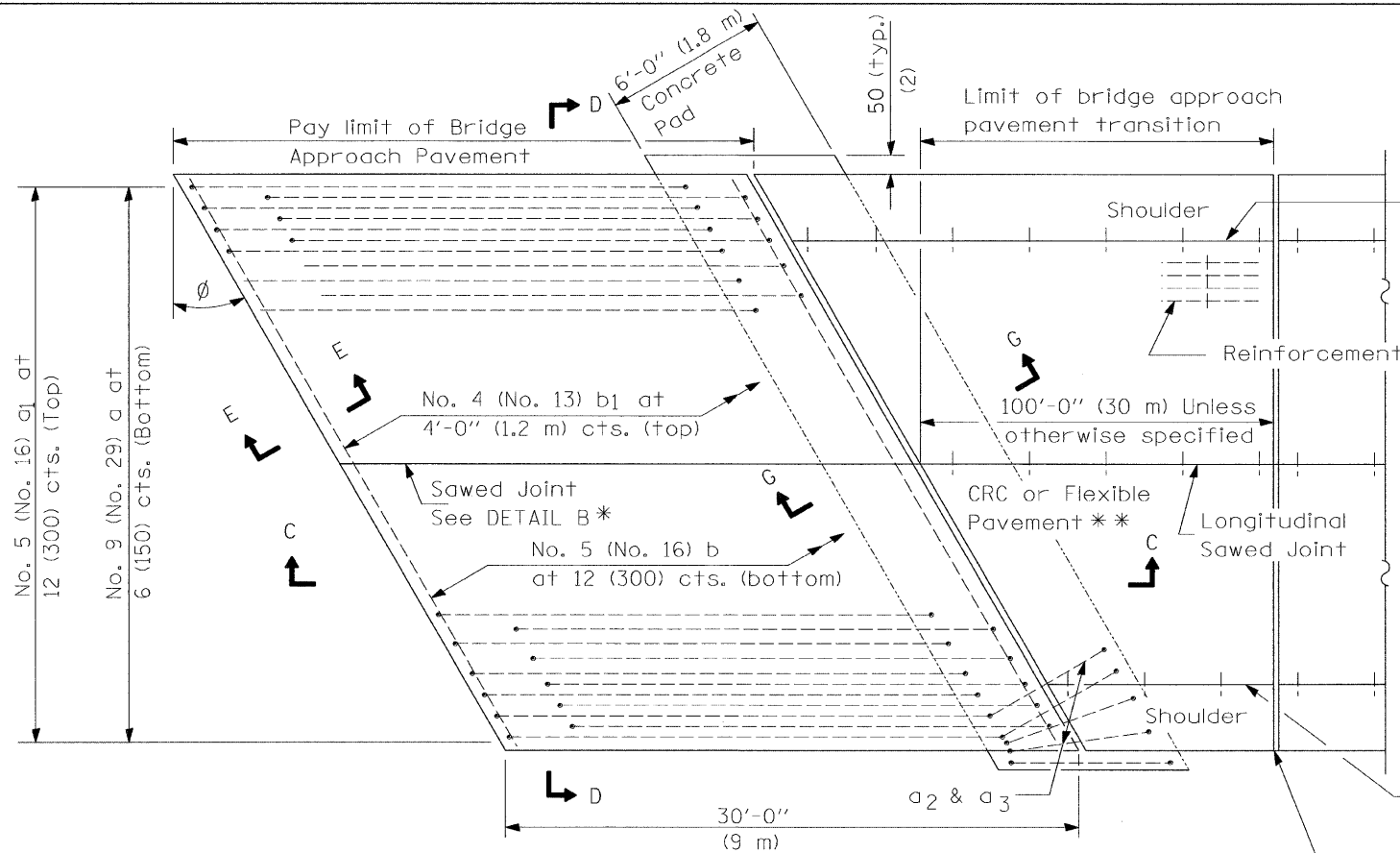
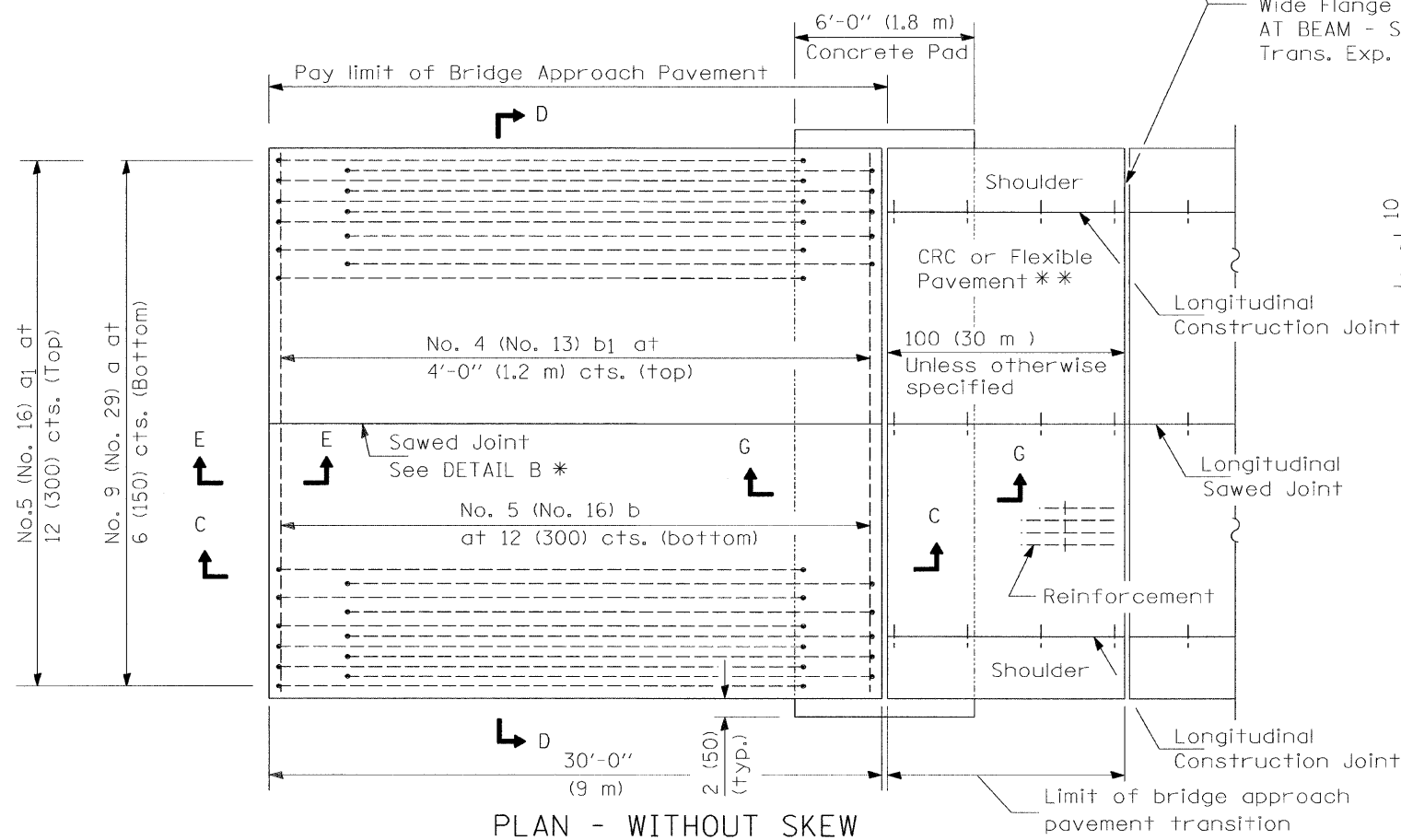


NEW CONSTRUCTION



PLAN - WITH SKEW



PLAN - WITHOUT SKEW

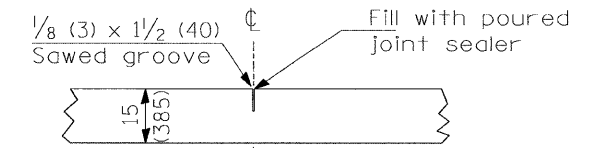
* Saw \perp or lane edge if poured two or more lane widths at a time.
 ** Omit Reinforcement, tie bars and Long. sawed Jt. for Flexible Pavement.

Longitudinal Construction Joint

Longitudinal Construction Joint

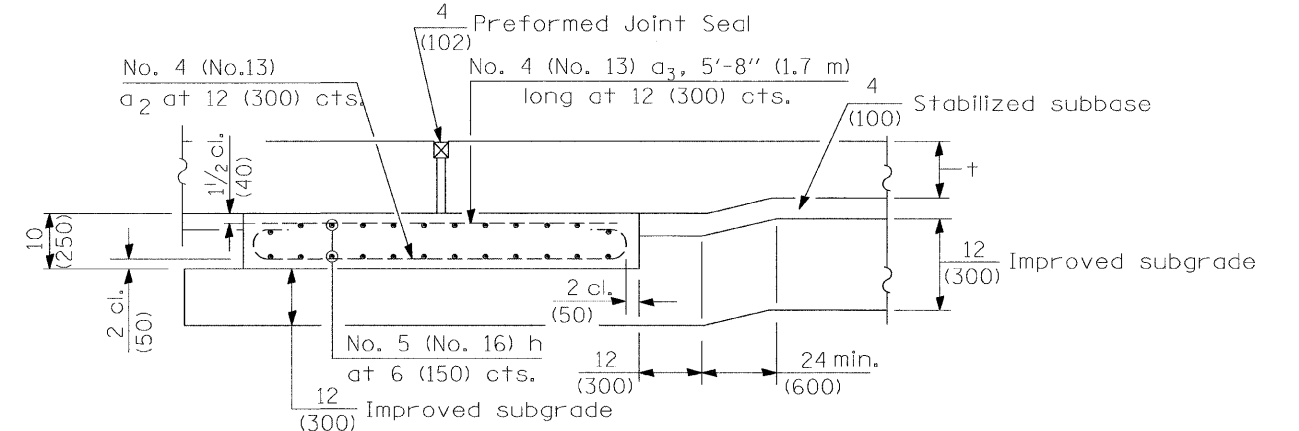
Rigid Pavement only:

Wide Flange Beam Terminal Joint (See DETAIL AT BEAM - Standard 421101 or 421106) or 2 (50) Trans. Exp. Joint as detailed on Standard 420001.



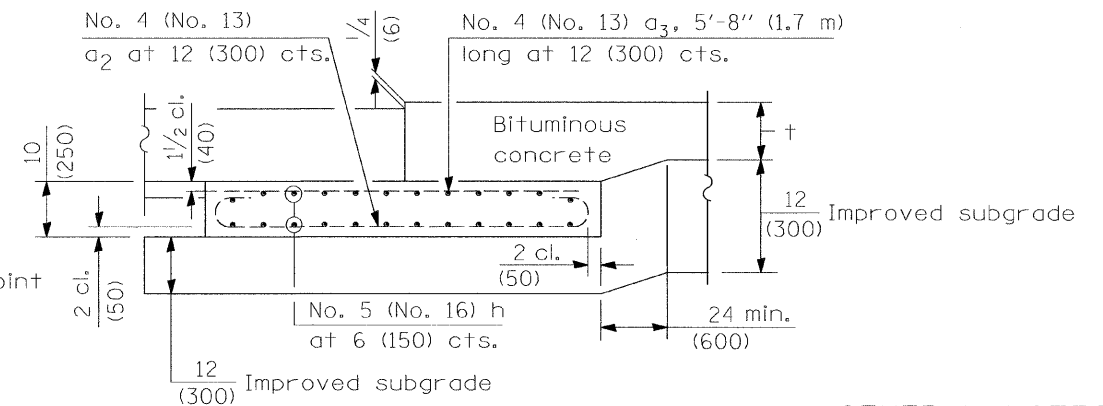
DETAIL B*

(Reinforcement Not Shown)



SECTION G-G - RIGID PAVEMENT

(Showing reinforcement)



SECTION G-G - FLEXIBLE PAVEMENT

(Showing reinforcement)

GENERAL NOTES

- THICKNESS-"t"=Thickness of Pavement.
- See Standard 421001 for reinforcement details not shown.
- See Standard 420001 for joint details not shown.
- All dimensions are in inches (millimeters) unless otherwise shown.

BRIDGE APPROACH PAVEMENT DETAIL

(Sheet 1 of 4)