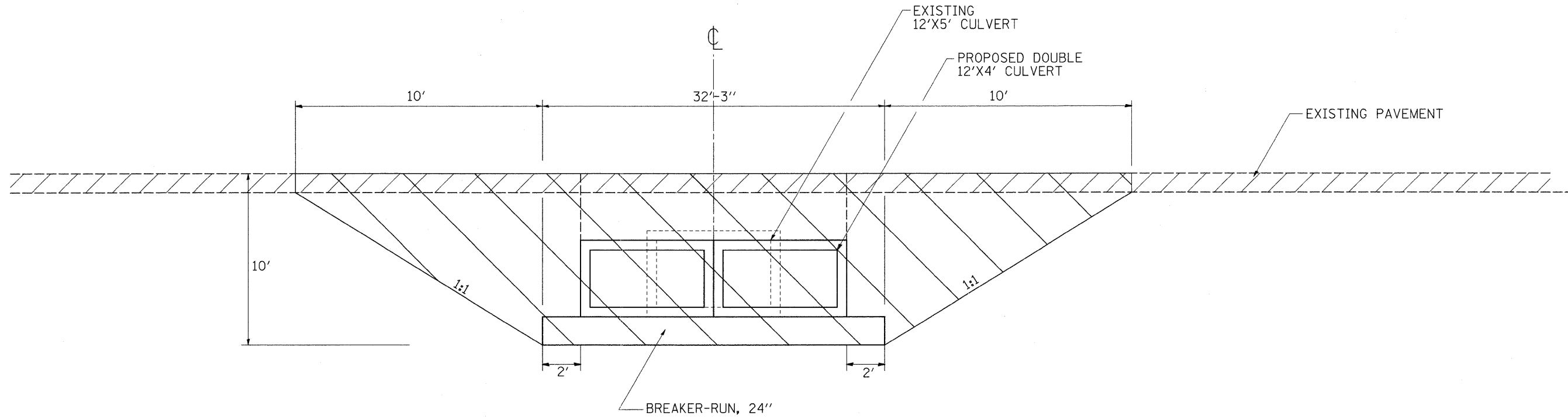


# TEMPORARY SOIL RETENTION SYSTEM DETAIL

STA 73+70



X0323988 TEMPORARY SOIL RETENTION SYSTEM

SQ FT LOCATION

US BUS 20

432.5 STA 73+70 - STAGE 2

~~432.5 STA 73+20 STAGE 3~~

432.5 TOTAL



TEMPORARY SOIL RETENTION SYSTEM AREA

REVIS 2/18/09

FILE NAME = c:\projects\p211406\d11406sp1.dgn	USER NAME = polzinej	DESIGNED -	REVISED -	<b>STATE OF ILLINOIS DEPARTMENT OF TRANSPORTATION</b>	<b>TEMPORARY SOIL RETENTION SYSTEM DETAIL</b>	F.A.P. RTE. 303	SECTION (40R)T	COUNTY WINNEBAGO	TOTAL SHEETS 67	SHEET NO. 44	
PLOT SCALE = 50.0000' / IN.	CHECKED -	REVISED -	SCALE:			SHEET NO. OF SHEETS	STA. TO STA.	FED. ROAD DIST. NO. ILLINOIS FED. AID PROJECT			
PLOT DATE = Mon Aug 04 11:37:49 2008	DATE -	REVISED -						CONTRACT NO. 64C65			