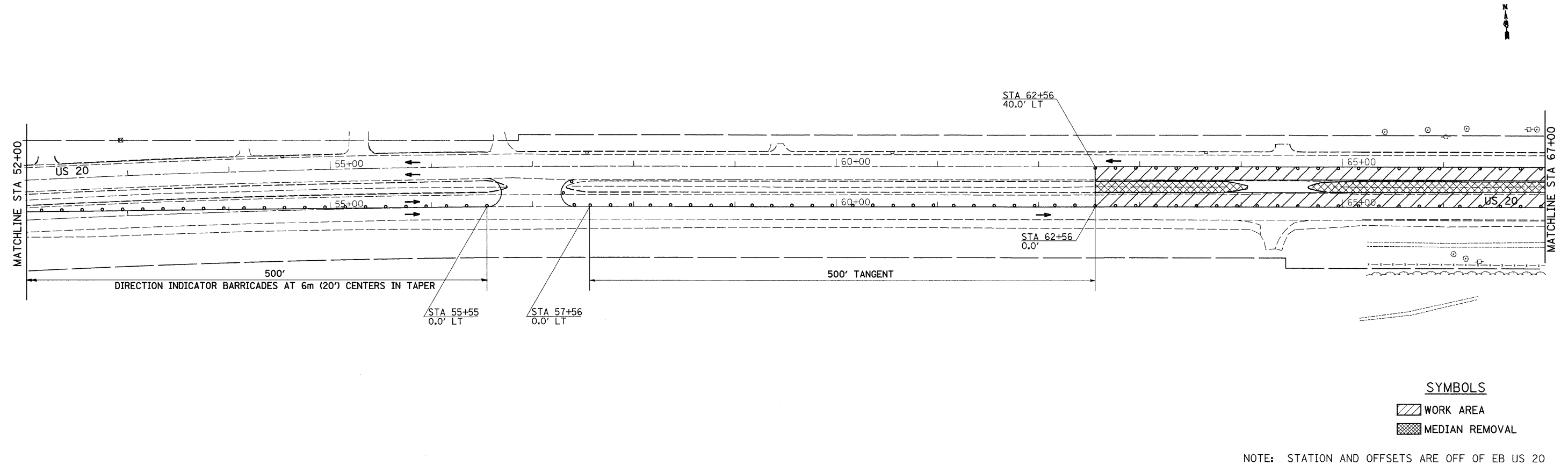
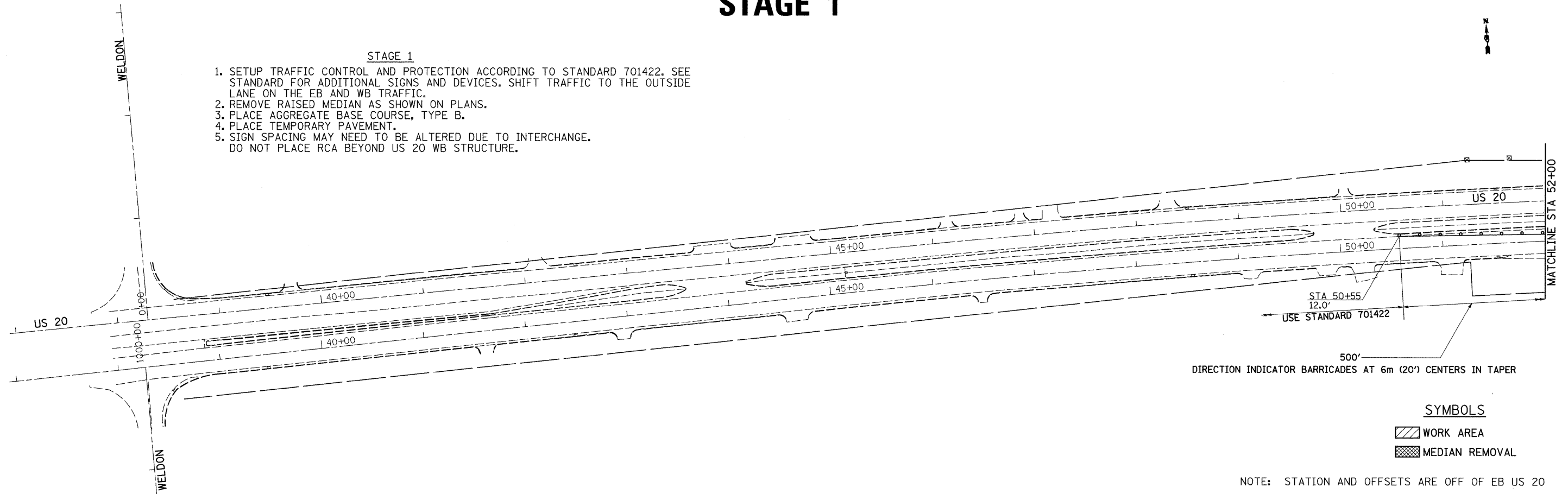


# STAGE 1

- STAGE 1**
1. SETUP TRAFFIC CONTROL AND PROTECTION ACCORDING TO STANDARD 701422. SEE STANDARD FOR ADDITIONAL SIGNS AND DEVICES. SHIFT TRAFFIC TO THE OUTSIDE LANE ON THE EB AND WB TRAFFIC.
  2. REMOVE RAISED MEDIAN AS SHOWN ON PLANS.
  3. PLACE AGGREGATE BASE COURSE, TYPE B.
  4. PLACE TEMPORARY PAVEMENT.
  5. SIGN SPACING MAY NEED TO BE ALTERED DUE TO INTERCHANGE. DO NOT PLACE RCA BEYOND US 20 WB STRUCTURE.



FILE NAME = c:\projects\p211406\dl1406stg.dgn	USER NAME = polzinej	DESIGNED -	REVISED -	<b>STATE OF ILLINOIS DEPARTMENT OF TRANSPORTATION</b>	<b>STAGING PLANS</b>			F.A.P. RTE. 303	SECTION (40R)T	COUNTY WINNEBAGO	TOTAL SHEETS 67	SHEET NO. 29
	PLOT SCALE = 50.0000' / IN.	CHECKED -	REVISED -		SCALE:	SHEET NO. OF SHEETS	STA. 37+00 TO STA. 67+00	CONTRACT NO. 64C65				
	PLOT DATE = Mon Aug 04 14:50:18 2008	DATE -	REVISED -		FED. ROAD DIST. NO. ILLINOIS FED. AID PROJECT							