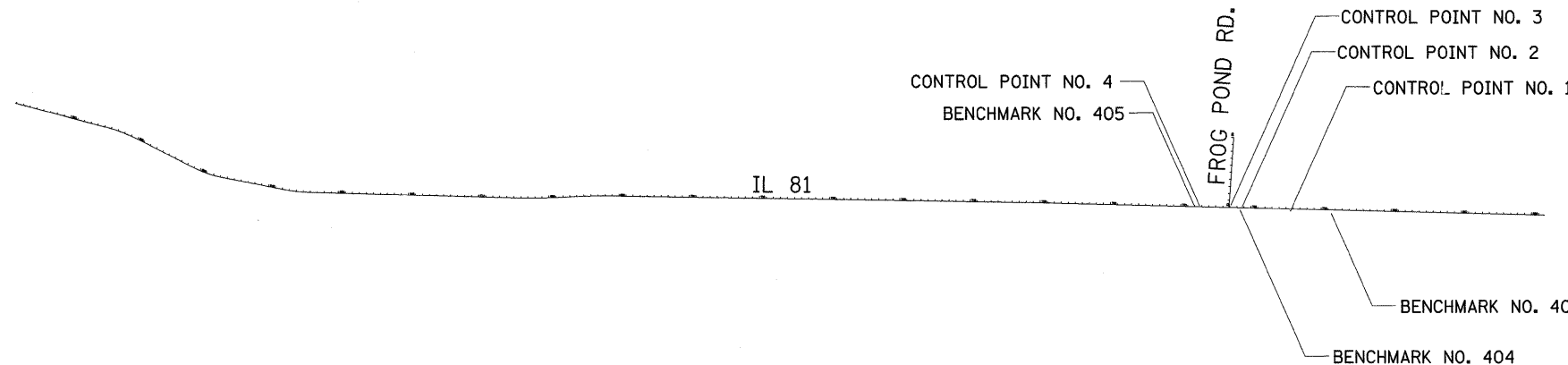


HORIZONTAL & VERTICAL CONTROL



Chain IL81 contains:
1003 CUR 300 CUR 310 CUR 320 CUR 330 CUR 340 350 13

Beginning chain IL81 description

Point 1003 N 1,687,088.7657 E 2,295,423.3042 Sta 601+89.6100

Course from 1003 to PC 300 104° 50' 41.9000" Dist 1,343.7111'

Curve Data

Curve 300
P.I. Station 617+84.1603 N 1,686,680.2346 E 2,296,964.6325
Delta = 12° 29' 04.9460" (RT)
Degree = 2° 29' 54.5333"
Tangent = 250.8392'
Length = 499.6918'
Radius = 2,293.2241'
External = 13.6779'
Long Chord = 498.7038'
Mid. Ord. = 13.5969'
P.C. Station 615+33.3211 N 1,686,744.5008 E 2,296,722.1657
P.T. Station 620+33.0129 N 1,686,565.0718 E 2,297,187.4729
C.C. N 1,684,527.8187 E 2,296,134.6307

Course from PT 300 to PC 310 117° 14' 43.3485" Dist 857.3879'

Curve Data

Curve 310
P.I. Station 630+93.8809 N 1,686,079.4093 E 2,298,130.6445
Delta = 16° 10' 06.5781" (LT)
Degree = 3° 59' 58.4528"
Tangent = 203.4800'
Length = 404.2558'
Radius = 1,432.5484'
External = 14.3790'
Long Chord = 402.9158'
Mid. Ord. = 14.2362'
P.C. Station 628+90.4009 N 1,686,172.5578 E 2,297,949.7371
P.T. Station 632+94.6566 N 1,686,040.3210 E 2,298,330.3348
C.C. N 1,687,446.1892 E 2,298,605.5252

Course from PT 310 to PC 320 101° 04' 31.0000" Dist 918.6902'

CURVE POINT NUMBERS						
CHAIN	CURVE	PI	CC	PC	PT	
IL81	300	300	301	302	303	
IL81	310	310	311	312	313	
IL81	320	320	321	322	323	
IL81	330	330	331	332	333	
IL81	340	340	341	342	343	

REFERENCE TIES					
POINT	CHAIN	STATION	OFFSET	DESCRIPTION	
500	IL81	784+29.5729	34.5382' RT	POWER POLE, PK NAIL	
501	IL81	785+69.8003	58.2355' RT	TREE DECIDUOUS, NAIL	
503	IL81	786+12.6283	21.7768' RT	MAILBOX, NAIL	
505	IL81	778+46.9234	33.7526' RT	POWER POLE, NAIL	
506	CH36	10+42.4637	203.2837' RT	FENCE POST, NAIL	
510	IL81	773+52.9372	34.5043' LT	POWER POLE, PK NAIL	
511	IL81	772+79.1770	33.2057' LT	TREE DECIDUOUS, PK NAIL	
512	IL81	772+52.2285	35.5954' LT	STUMP	
3592	IL81	777+33.8812	33.0342' RT	POWER POLE	
4287	IL81	777+34.9675	35.2849' LT	TELEPHONE SPLICE BOX	
4377	IL81	778+59.5057	18.7472' LT	SIGN	
4367	IL81	777+57.4288	19.0460' LT	SIGN	

Curve Data

Curve 320
P.I. Station 644+04.8468 N 1,685,827.3913 E 2,299,419.9139
Delta = 9° 26' 51.5148" (LT)
Degree = 2° 28' 20.4668"
Tangent = 191.5000'
Length = 382.1318'
Radius = 2,317.4605'
External = 7.8987'
Long Chord = 381.6990'
Mid. Ord. = 7.8719'
P.C. Station 642+13.3468 N 1,685,863.8420 E 2,299,231.9150
P.T. Station 645+95.4786 N 1,685,822.2943 E 2,299,611.3460
C.C. N 1,688,138.9338 E 2,299,673.0279

Course from PT 320 to PC 330 91° 31' 30.6251" Dist 2,895.0834'

Curve Data

Curve 330
P.I. Station 678+60.8121 N 1,685,735.3837 E 2,302,875.5227
Delta = 4° 56' 00.0251" (LT)
Degree = 0° 39' 59.8657"
Tangent = 370.2500'
Length = 740.0425'
Radius = 8,594.8479'
External = 7.9711'
Long Chord = 739.8139'
Mid. Ord. = 7.9639'
P.C. Station 674+90.5621 N 1,685,745.2383 E 2,302,505.4038
P.T. Station 682+30.6045 N 1,685,757.3945 E 2,303,245.1178
C.C. N 1,694,337.0412 E 2,302,734.1657

Course from PT 330 to PC 340 86° 35' 30.6000" Dist 56.8971'

Curve Data

Curve 340
P.I. Station 686+02.6416 N 1,685,779.5116 E 2,303,616.4969
Delta = 4° 12' 33.3273" (RT)
Degree = 0° 40' 05.3034"
Tangent = 315.1400'
Length = 629.9965'
Radius = 8,575.4173'
External = 5.7886'
Long Chord = 629.8548'
Mid. Ord. = 5.7847'
P.C. Station 682+87.5016 N 1,685,760.7770 E 2,303,301.9142
P.T. Station 689+17.4981 N 1,685,775.1056 E 2,303,931.6061
C.C. N 1,677,200.5264 E 2,303,811.7113

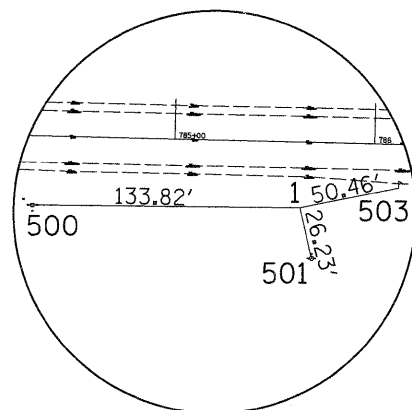
Course from PT 340 to 350 90° 48' 03.9273" Dist 6,163.6887'

Point 350 N 1,685,688.9297 E 2,310,094.6923 Sta 750+81.1868

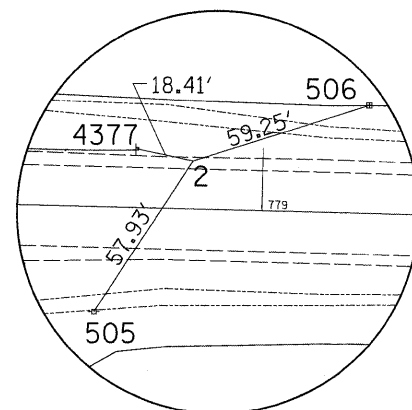
Course from 350 to 13 91° 22' 55.9880" Dist 7,103.1585'

Point 13 N 1,685,517.5878 E 2,317,195.7840 Sta 821+84.3453

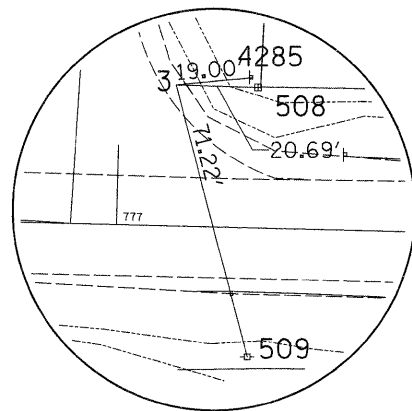
Ending chain IL81 description



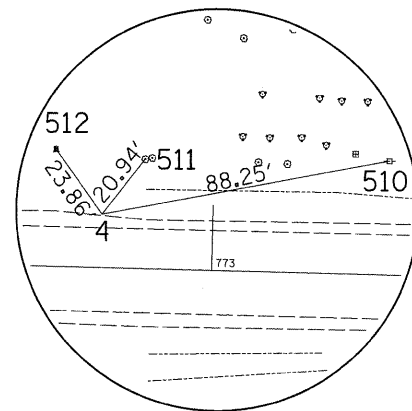
HORIZONTAL CONTROL POINT NO. 1



HORIZONTAL CONTROL POINT NO. 2



HORIZONTAL CONTROL POINT NO. 3



HORIZONTAL CONTROL POINT NO. 4

HORIZONTAL CONTROL POINTS							
POINT	NORTH	EAST	ELEVATION	CHAIN	STATION	OFFSET	DESCRIPTION
1	1685572.1440	2323575.0830	798.0840	IL92	1091+87.1398	19.7095' RT	5/8" DIA. W/AMENT CAP GPS CONTROL POINT
2	1685636.8580	2312890.6710	776.5940	IL92	1101+03.5187	15.9782' LT	5/8" DIA. W/AMENT CAP GPS CONTROL POINT
3	1685660.8400	1312727.8730	778.2360	IL92	1101+03.5187	15.9782' LT	5/8" DIA. W/AMENT CAP GPS CONTROL POINT
4	1685652.7170	2312279.8100	777.6800	IL92	1101+03.5187	15.9782' LT	5/8" DIA. W/AMENT CAP GPS CONTROL POINT

SURVEY WORK POINTS							
POINT	NORTH	EAST	ELEVATION	CHAIN	STATION	OFFSET	DESCRIPTION
100	1685541.8610	2312774.9430	772.4780	CH36	19+18.6985	13.3108' RT	TOPO SURVEY POINT, NAIL
102	1685405.5870	2312545.0770	771.8950	CH36	OUT OF CHAIN	-----	TOPO SURVEY POINT, NAIL

BENCH MARKS							
POINT	NORTH	EAST	ELEVATION	CHAIN	STATION	OFFSET	DESCRIPTION
403	1685538.2300	2314157.0960	797.6500	IL81	791+46.0436	52.6628' RT	PIPE CULVERT, TOP
404	1685588.8380	2312858.5780	775.0380	IL81	778+46.6826	33.3923' RT	POWER POLE, RAIL ROAD SPIKE
405	1685660.1080	2312201.2430	776.7220	IL81	771+87.8197	22.0008' LT	HEADWALL, CHISELED SQUARE

FILE NAME =	USER NAME = hensonke	DESIGNED -	REVISED -
ct:\pw_work\PIWIDT\HNSONKE\dms34453\d11506hvc.dgn		DRAWN -	REVISED -
		CHECKED -	REVISED -
		DATE -	REVISED -

STATE OF ILLINOIS
DEPARTMENT OF TRANSPORTATION

HORIZONTAL & VERTICAL CONTROL

SCALE: SHEET NO. OF SHEETS STA. TO STA.

F.A.P. RTE.	SECTION	COUNTY	TOTAL SHEETS	SHEET NO.
611	103T-2	HENRY	35	11
FED. ROAD DIST. NO. ILLINOIS FED. AID PROJECT			CONTRACT NO. 64C66	